

# MYERS® SX50/SX50H

Myers SX50 series pumps are versatile performers designed for commercial, municipal and industrial applications. The SX50 (high flow) and the SX50H (high pressure) are designed to pump contaminated water containing a wide range of pollutants. Each pump is matched with a safety-proven Myers® control box (simplex or duplex, single- and three-phase models).

## APPLICATIONS

Service stations, "quick-lube" stations, car/truck washes, truck docks

## SPECIFICATIONS

**Capacities** – Up to 95 GPM (360 LPM)  
**Shut-off Head** – Up to 34' (10 m)  
**Operation: On/Off** – Turns on/off with tethered switch hooked to control box  
**Solids Handling** – (SX50; SX50H) 2"/3/4" (50 mm / 19 mm)  
**Liquids Handling** – Domestic effluent and drain water  
**Intermittent Liquid Temperature** – Up to 140°F (60°C)  
**Motor/Electrical Data** – 1/2 HP, 1750 RPM, capacitor start, 60Hz; see Ordering Information chart for voltage and phase  
**Acceptable pH Range** – 6-9  
**Winding Insulation Temperature (Class B)** – 266°F (up to 120°C)  
**Specific Gravity** – .9-1.1  
**Viscosity** – 28-35 SSU  
**Discharge, NPT** – SX50: 2" (50 mm)  
 SX50H: 1-1/2" (38.1 mm)  
**Min. Sump Diameter** – Simplex: 24" (61.0 mm)  
 Duplex: 36" (91.4 mm)



## FEATURES

### PUMP

#### Tough, Safe Performance

Rugged and explosion-proof pump design commercial, industrial and municipal applications

#### Hazardous Duty

UL listed for use in Class 1, Division 1, Group D hazardous locations with contaminated water

#### Tough Against Corrosion

All cast iron construction resists the most extreme corrosive environments

#### Cool Running

Oil-filled motor for continuous bearing lubrication and maximum heat dissipation

#### Longer Bearing Life

Recessed impeller reduces radial bearing loads, increasing bearing life

#### Built-in Protection

Sensor and probe protect against overheating and seal leak

#### Easy Starting

High-torque capacitor start, single phase motor for assured starting under heavy load

### CONTROL PANEL

#### NEMA 4X Enclosure with Inner Door

Separate Pump and Control Circuit Breaker

#### H-O-A Switch

Run, Seal, Leak Alarm Light

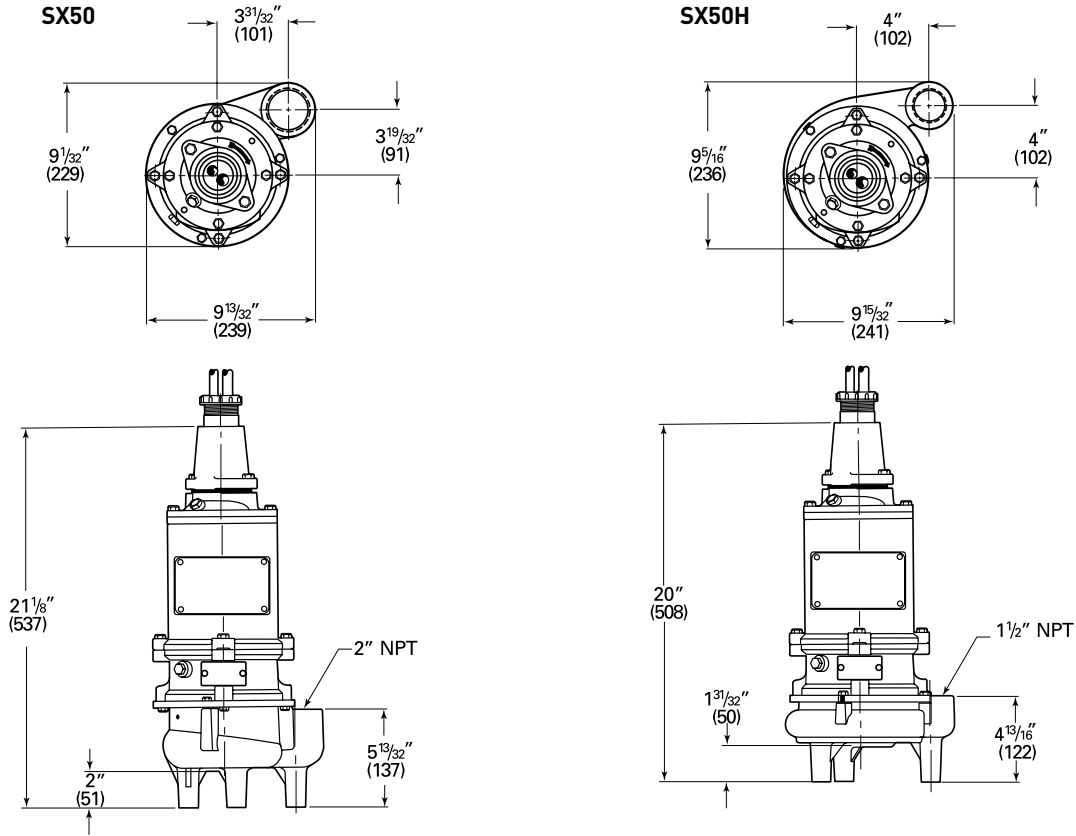
# MYERS® SX50/SX50H

**ORDERING INFORMATION**

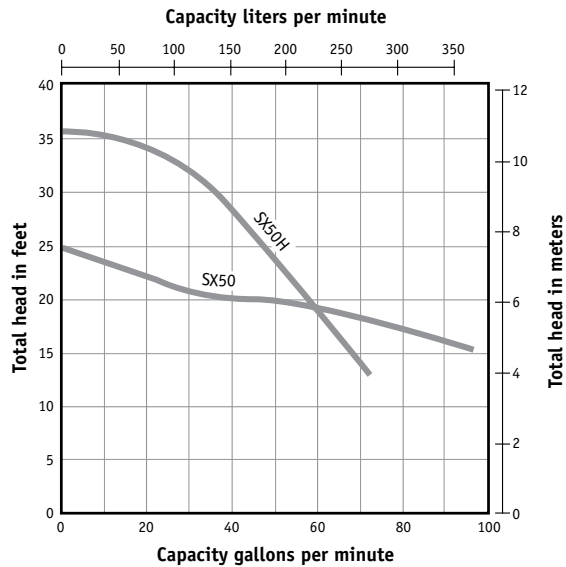
Catalog Number	HP	Volts	Phase/Cycles	Discharge Size	Approx. Switch Type	Cord Length	Wt. Lbs.
SIMPLEX EXPLOSION-PROOF SUMP PUMP/CONTROL PANEL PACKAGE							
SX50-01PS	1/2	208	1/60	2"	Manual	15'	95
SX50-03PS	1/2	200	3/60	2"	Manual	15'	95
SX50-21PS	1/2	230	1/60	2"	Manual	15'	95
SX50H-21PS	1/2	230	1/60	1-1/2"	Manual	15'	92
SX50-23PS	1/2	230	3/60	2"	Manual	15'	95
SX50H-23PS	1/2	230	3/60	1-1/2"	Manual	15'	92
SX50-43PS	1/2	460	3/60	2"	Manual	15'	95
DUPLEX EXPLOSION-PROOF SUMP PUMP/CONTROL PANEL PACKAGE							
SX50-01PD	1/2	208	1/60	2"	Manual	15'	183
SX50-03PD	1/2	200	3/60	2"	Manual	15'	183
SX50-21PD	1/2	230	1/60	2"	Manual	15'	183
SX50H-21PD	1/2	230	1/60	1-1/2"	Manual	15'	177
SX50-23PD	1/2	230	3/60	2"	Manual	15'	183
SX50H-23PD	1/2	230	3/60	1-1/2"	Manual	15'	177
SX50-43PD	1/2	460	3/60	2"	Manual	15'	183

# MYERS® SX50/SX50H

## DIMENSIONS



## PUMP PERFORMANCE



# MYERS® SX50/SX50H

## SPECIFICATIONS

**Pump Model** – Pump shall be of the centrifugal type Myers model SX50/SX50H with an integrally built in submersible type motor. Discharge shall be 1-1/2" NPT \_\_\_\_\_ OR 2" NPT \_\_\_\_\_. Pump shall be capable of passing a full 3/4" \_\_\_\_\_ or 2" \_\_\_\_\_ diameter solid. Motor shall be UL listed for Class 1, Div. 1, Group D.

**Operating Conditions** – Pump shall have a capacity of \_\_\_\_\_ GPM at a total head of \_\_\_\_\_ feet and shall use a 1/2 HP motor operating at 1750 RPM.

**Motor** – Pump motor shall be of the submersible type rated 1/2 horsepower at 1750 RPM. Motor shall be for single phase 208 volts \_\_\_\_\_, 230 volts \_\_\_\_\_ or three phase 200 volts \_\_\_\_\_, 230 volts \_\_\_\_\_, 460 volts \_\_\_\_\_ or 575 volts \_\_\_\_\_. Single phase motors shall be of P.S.C. type NEMA N type. Three phase motors shall be NEMA B type.

Stator winding shall be of the open type with Class B insulation good for 130°C (266°F) maximum operating temperature. Winding housing shall be filled with a clean high dielectric oil that lubricates bearings and seals and transfers heat from windings and rotor to outer shell. Air-filled motors which do not have the superior heat dissipating capabilities of oil-filled motors shall not be considered equal.

Motor shall have two heavy duty ball bearings to support pump shaft and take radial and thrust loads and a sleeve guide bushing directly above the lower seal to take radial load and act as flame path for seal chamber. Ball bearings shall be designed for 50,000 hours B-10 life. Stator shall be pressed into motor housing.

A heat sensor thermostat shall be attached to top end of motor winding and shall be connected in series with the magnetic contactor coil in control box to stop motor if motor winding temperature reaches 221°F. Thermostat to reset automatically when motor cools. Two heat sensors shall be used on 3 phase motors.

The motor pump shaft shall be of #416 stainless steel threaded to take pump impeller.

**Seals** – Motor shall be protected by two mechanical seals mounted in tandem with a seal chamber between the seals. Seal chamber shall be oil filled to lubricate seal face and to transmit heat from shaft to outer shell.

Seal face shall be carbon and ceramic and lapped to a flatness of one light band. Lower seal faces shall be \_\_\_\_\_ carbide (optional).

A double electrode shall be mounted in the seal chamber to detect any water entering the chamber through the lower seal. Water in the chamber shall cause a red light to turn on at the control box. This signal shall not stop motor but shall act as a warning only, indicating service is required.

**Pump Impeller** – The pump impeller shall be of the recessed Myers type to provide an open unobstructed passage through the volute for solids. Impeller shall be of cast iron and shall be threaded onto stainless steel shaft.

**Pump Case** – The pump case shall be designed for a recessed vortex impeller and have unobstructed passageways to handle full spherical solids. The pump volute shall be constructed of Class 30 gray cast iron.

**Motor Castings** – The motor housing castings shall be high tensile strength Class 30 gray cast iron.

**Corrosion Protection** – All iron castings shall be pretreated with phosphate and chromic rinse and to be painted before machining and all machined surfaces exposed to the sewage water to be repainted. All fasteners to be 302 stainless steel.

**Bearing End Cap** – Upper motor bearing cap shall be a separate casting for easy mounting and replacement.

**Power Cables** – Power cord and control cord shall be double sealed. The power and control conductor shall be single strand sealed with epoxy potting compound and then clamped in place with rubber seal bushing to seal outer jacket against leakage and to provide for strain pull. Cords shall withstand a pull of 300 pounds to meet UL requirements.

Insulation of power and control cords shall be type S00W. Both control and power cords shall have a green carrier ground conductor that attaches to motor frame.



USA  
293 WRIGHT STREET, DELAVAN, WI 53115 WWW.FEMYERS.COM  
PH: 888-987-8677 ORDERS FAX: 800-426-9446

CANADA  
490 PINEBUSH ROAD, UNIT 4, CAMBRIDGE, ONTARIO N1T 0A5  
PH: 800-363-7867 ORDERS FAX: 888-606-5484

Because we are continuously improving our products and services, Pentair reserves the right to change specifications without prior notice.