

Yamada America, Inc.  
955 East Algonquin Rd  
Arlington Heights, IL 60005  
Phone: 847.631.9200  
Fax: 847.631.9273  
www.yamadapump.com

Model: NDP-80BST-FDA  
Part # 852651-FDA



| Reference No. | Description        | Q'ty | Part No.     |
|---------------|--------------------|------|--------------|
| 1             | Out Chamber        | 2    | 712933-EP    |
| 2             | In Manifold - NPT  | 1    | 712605-TC-EP |
| 3             | Out Manifold - NPT | 1    | 712604-TC-EP |
| 5             | Body Assembly      | 1    | 803113-XP    |
| 7             | Center Rod         | 1    | 711940       |
| 8             | Center Disk        | 2    | 711041       |
| 9             | Center Disk        | 2    | 711039-EP    |
| 10            | Diaphragm          | 2    | 770934       |
| 11            | Valve Seat         | 4    | 711910-EP    |
| 12            | Ball               | 4    | 770694       |
| 14            | Ball Valve         | 1    | 684322       |
| 15            | Elbow              | 1    | 682523       |
| 19            | Pump Base          | 2    | 711912-XP    |
| 20            | Cushion            | 4    | 771402       |
| 23            | Bolt               | 20   | 621182       |
| 24            | Plain Washer       | 4    | 631174       |
| 25            | Wave Washer        | 28   | 631937       |
| 26            | Bolt               | 16   | 621203       |
| 27            | Plain Washer       | 16   | 631175       |
| 28            | Wave Washer        | 16   | 631938       |
| 29            | Nut                | 16   | 628014       |
| 33            | Bolt               | 4    | 621177       |
| 34            | Nut                | 4    | 628013       |
| 35            | Bolt               | 4    | 621149       |
| 36            | Nut with Flange    | 4    | 682276       |
| 40            | O-ring             | 4    | 643078       |
| 41            | O-ring             | 4    | 643015       |
| 42            | Bolt               | 4    | 683543       |
| 44            | Silencer           | 1    | 804764       |
| 53            | O-ring             | 4    | 643145       |

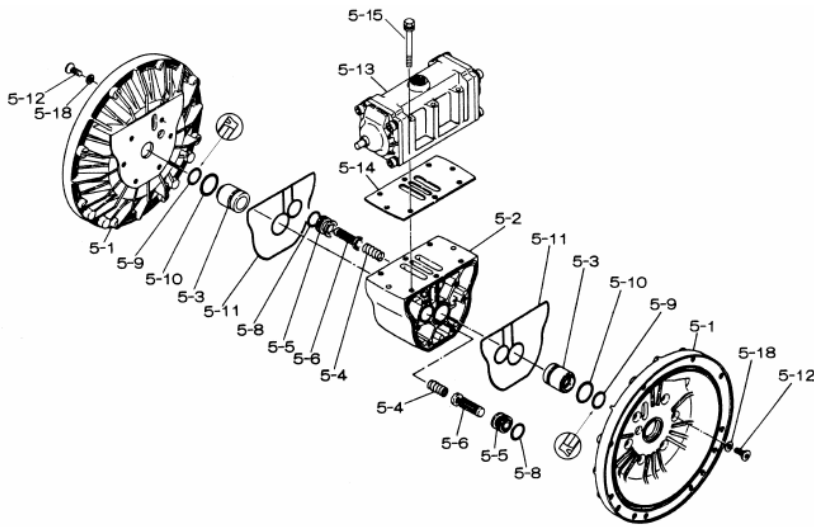
**Repair Kits**

**K80-MT Liquid Side Kit includes the following:**

|    |           |   |        |
|----|-----------|---|--------|
| 10 | Diaphragm | 2 | 770934 |
| 12 | Ball      | 4 | 770694 |
| 40 | O-ring    | 4 | 643078 |
| 53 | O-ring    | 4 | 643145 |
| 41 | O-ring    | 4 | 643015 |

**K80-AM Air Side Kit includes the following:**

|                |                      |    |        |
|----------------|----------------------|----|--------|
| 5-3            | Throat Bearing       | 2  | 772689 |
| 5-4            | Spring               | 2  | 711937 |
| 5-5            | Pilot Valve Seat     | 2  | 771740 |
| 5-6            | Pilot Valve Assembly | 2  | 832163 |
| 5-8            | O-ring               | 7  | 640020 |
| 5-9            | Packing              | 2  | 685444 |
| 5-10           | O-ring               | 2  | 640029 |
| 5-11           | Gasket               | 2  | 771742 |
| 5-14           | Gasket               | 1  | 771712 |
| 5-13-8         | Gasket               | 2  | 771738 |
| 5-13-12 Seal   | Seal Ring            | 15 | 771732 |
| 5-13-12 Sleeve | Sleeve Assembly      | 1  | 803675 |

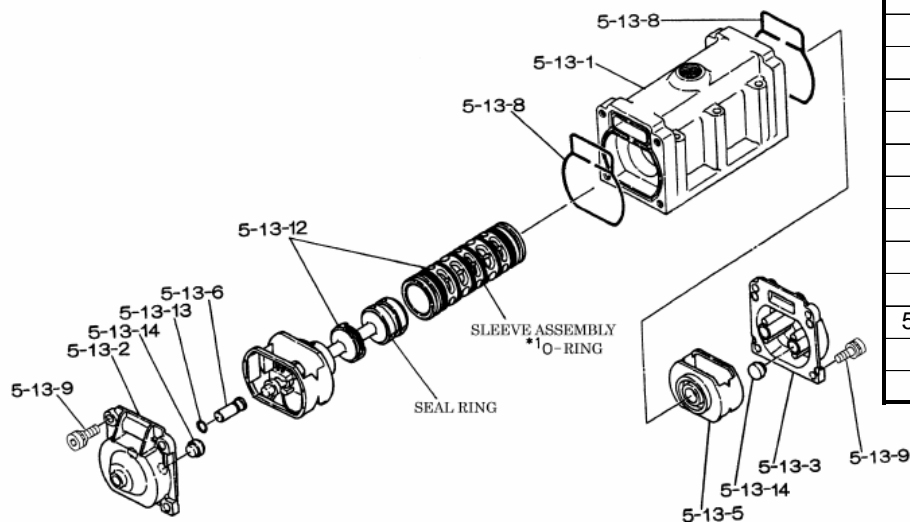


**Body Assembly 803113-XP**

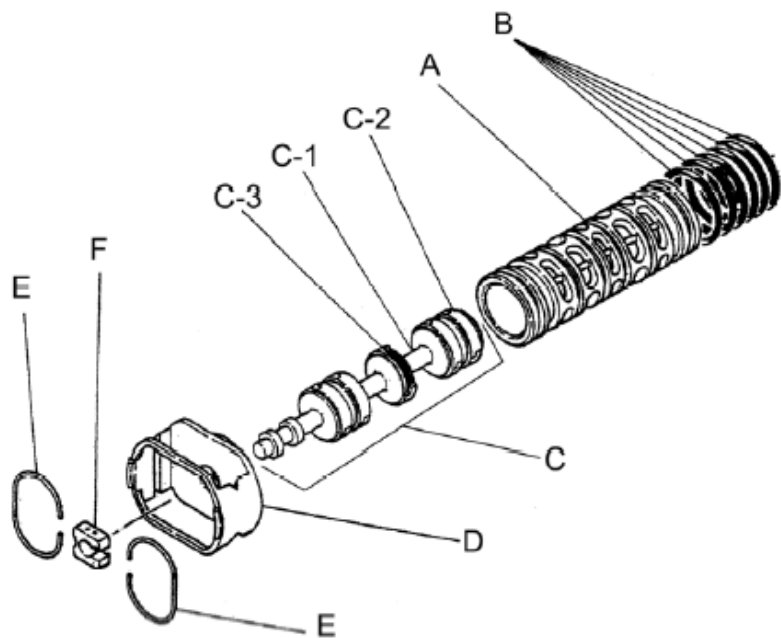
| Reference No. | Description          | Q'ty | Part No.  |
|---------------|----------------------|------|-----------|
| 5-1           | Air Chamber          | 2    | 711935-XP |
| 5-2           | Body                 | 1    | 711936-XP |
| 5-3           | Throat Bearing       | 2    | 772689    |
| 5-4           | Spring               | 2    | 711937    |
| 5-5           | Pilot Valve Seat     | 2    | 771740    |
| 5-6           | Pilot Valve Assembly | 2    | 832163    |
| 5-8           | O-ring               | 2    | 640020    |
| 5-9           | Packing              | 2    | 685444    |
| 5-10          | O-ring               | 2    | 640029    |
| 5-11          | Gasket               | 2    | 771742    |
| 5-12          | Flat Head Bolt       | 12   | 683812-S  |
| 5-13          | Valve Body Assembly  | 1    | 802971-XP |
| 5-14          | Gasket               | 1    | 771712    |
| 5-15          | Bolt                 | 6    | 684240-S  |
| 5-18          | Plain Washer         | 12   | 684987    |

Yamada America, Inc.  
955 East Algonquin Rd  
Arlington Heights, IL 60005  
Phone: 847.631.9200  
Fax: 847.631.9273  
www.yamadapump.com

802971-XP Valve Body Assembly



| Reference      |                     |      |           |
|----------------|---------------------|------|-----------|
| No.            | Description         | Q'ty | Part No.  |
| 5-13-1         | Valve Body          | 1    | 711931-XP |
| 5-13-2         | Cap A               | 1    | 580999-XP |
| 5-13-3         | Cap B               | 1    | 581000-XP |
| 5-13-5         | Spring Stopper      | 1    | 771735    |
| 5-13-6         | Reset Button        | 1    | 712976-S  |
| 5-13-8         | Gasket              | 2    | 771738    |
| 5-13-9         | Bolt                | 8    | 685036    |
| 5-13-12        | C Spool Valve Assy. | 1    | 803115    |
| 5-13-12 Seal   | Seal Ring           | 15   | 771732    |
| 5-13-12 Sleeve | Sleeve Assembly     | 1    | 803675    |
| 5-13-13        | O-ring              | 1    | 640005    |
| 5-13-14        | Cushion             | 4    | 684128    |



803115 Air Valve Assembly (5-13-12)

| Reference |                 |      |          |
|-----------|-----------------|------|----------|
| No.       | Description     | Q'ty | Part No. |
| A         | Sleeve          | 1    | 803675   |
| B         | O-ring          | 6    | 640037   |
| C         | Spool Assembly  | 1    | 803114   |
| C-1       | Spool           | 1    | 771733   |
| C-2       | Seal Ring       | 15   | 771732   |
| C-3       | O-ring          | 5    | 640020   |
| D         | Spring Retainer | 1    | 771735   |
| E         | C-Spring        | 2    | 711932   |
| F         | Block           | 1    | 771734   |

Yamada America, Inc.  
955 East Algonquin Rd  
Arlington Heights, IL 60005  
Phone: 847.631.9200  
Fax: 847.631.9273  
www.yamadapump.com