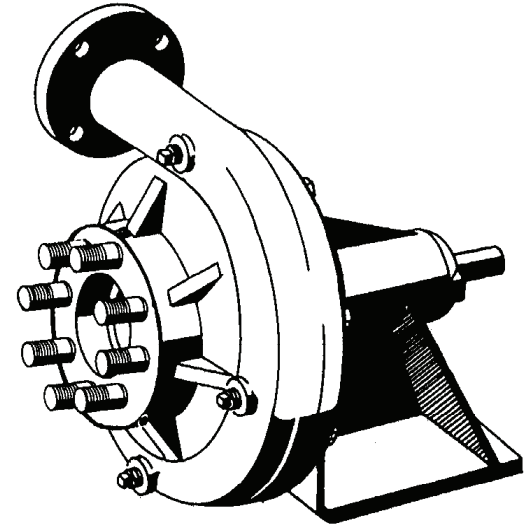


## End Suction Centrifugal Pumps

### Specifications:

<b>SUCTION/DISCHARGE</b> .....	4" (102mm) Suction, 3" (76mm) 125 lb Flange Discharge. Discharge can be placed in 8 different locations depending on piping requirements.
<b>LIQUID TEMPERATURE</b> .....	180°F (82°C) Continuous
<b>BODY</b> .....	Cast Iron ASTM, Class 30, with Air Vent, Vacuum Pressure and Drain Plugs
<b>PEDESTAL</b> .....	Cast Iron ASTM, Class 30
<b>IMPELLER: Design</b> .....	Enclosed Type, Dynamically Balanced, ISO G6.3
<i>Material</i> .....	Cast Iron ASTM, Class 30
<b>WEAR RING</b> .....	Bronze
<b>SHAFT</b> .....	Steel
<b>SHAFT SLEEVE</b> .....	Bronze
<b>HARDWARE</b> .....	Steel
<b>PAINT</b> .....	Air Dry Enamel
<b>SEAL:</b>	
<i>Design</i> .....	Single Mechanical
<i>Lubrication</i> .....	Self Lubrication
<i>Material</i> .....	Rotating Faces - Carbon Stationary Faces - Ni-Resist Elastomer - Buna-N Hardware -300 Series Stainless
<b>BEARING-PUMP END:</b>	
<i>Design</i> .....	Single Row, Ball
<i>Lubrication</i> .....	Grease, Factory
<i>Load</i> .....	Radial & Thrust
<b>BEARING-DRIVE END:</b>	
<i>Design</i> .....	Double Row, Ball,
<i>Lubrication</i> .....	Grease, Factory
<i>Load</i> .....	Radial & Thrust
<b>OPTIONAL EQUIPMENT</b> .....	Discharge Check Valve, Hand Primer, Base & OSHA Coupling Guard, Flex Coupling, Strainer, Bronze Impeller, Companion Flange, Flange Gasket



### Model: 4030HCU

#### DESCRIPTION:

THESE PUMPS ARE SUITABLE FOR GENERAL INDUSTRIAL USE SUCH AS LIQUID TRANSFER OR AS BOOSTER PUMPS.



#### WARNING:

CANCER AND REPRODUCTIVE HARM -  
WWW.P65WARNINGS.CA.GOV

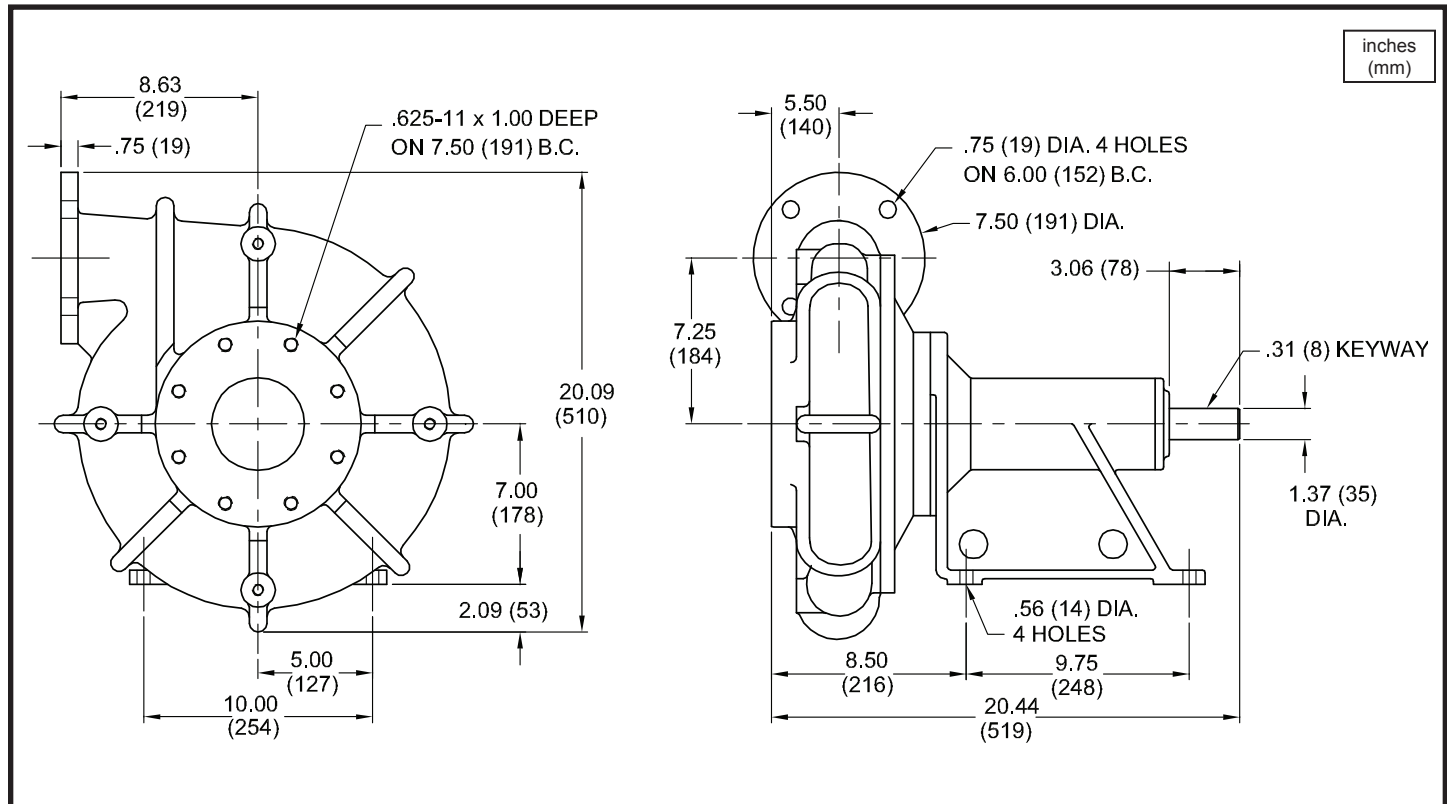
# Model 4030HCU

Universal Drive

# BARNES®

www.cranepumps.com

## End Suction Centrifugal Pumps



inches  
(mm)

MODEL NO	PART NO	WEIGHT LBS. (kg)	PEI <sub>CL</sub>	
4030HCUF0C2	059459	254 (115.2)	0.98	
4030HCUF0C4	059459	254 (115.2)	0.97	

### IMPORTANT !

- DO NOT USE FOR PUMPING FLUIDS WITH A FLASH POINT OF LESS THAN 100°F.
- MAKE CERTAIN THAT PUMP AND/OR MOTOR ASSEMBLY AND CONTROLS HAVE THE APPROPRIATE RATINGS FOR THE GIVEN APPLICATION AREA CLASSIFICATION. (ie DIVISION I, AGENCY LISTING ETC.)

SECTION 5B  
PAGE 6  
DATE 4/19

## CRANE®

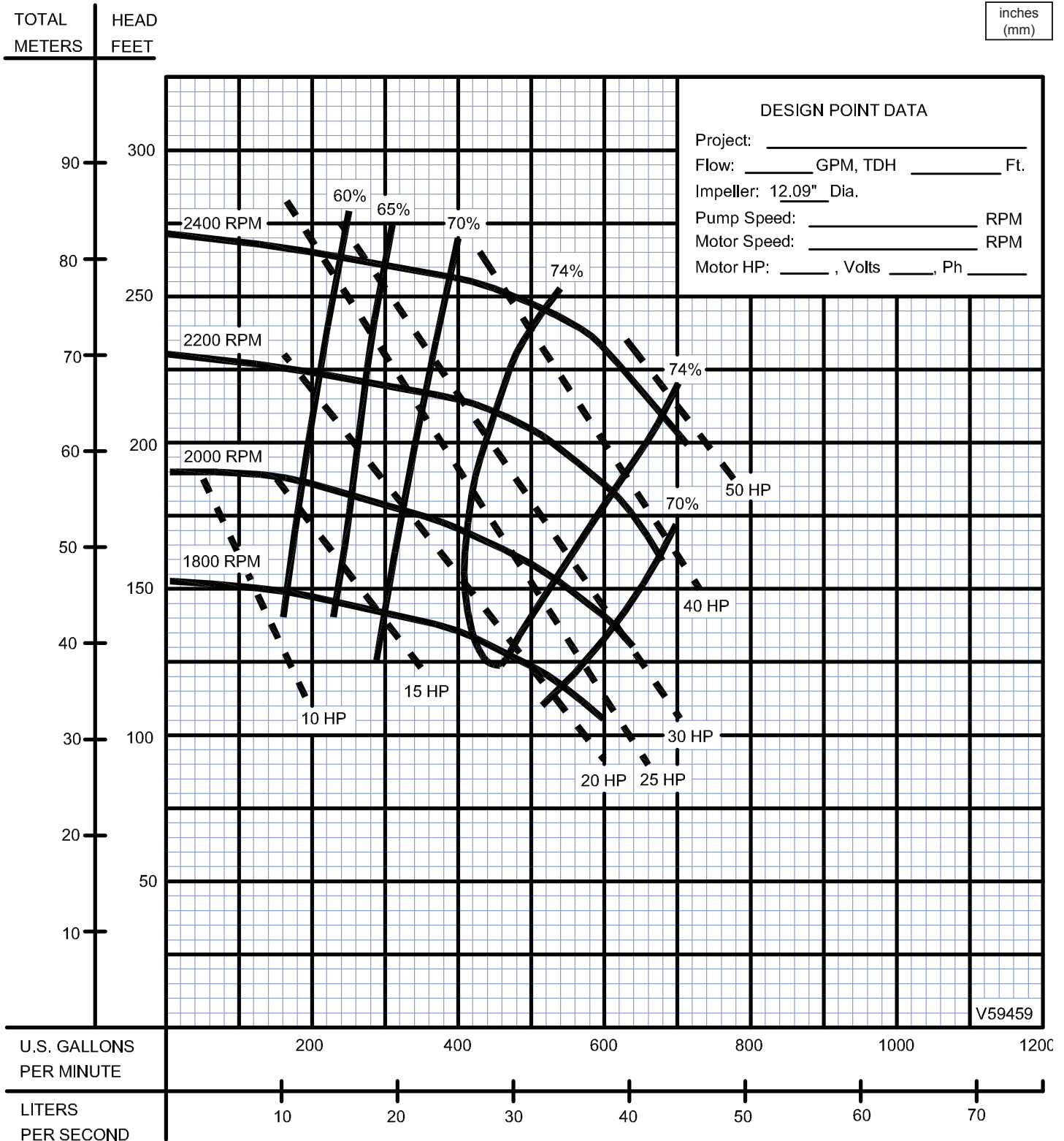
A Crane Co. Company

## PUMPS & SYSTEMS

USA: (937) 778-8947 • Canada: (905) 457-6223 • International: (937) 615-3598

### End Suction Centrifugal Pumps

inches  
(mm)



Testing is performed with water, specific gravity 1.0 @ 68° F @ (20°C), other fluids may vary performance



A Crane Co. Company

## PUMPS & SYSTEMS

USA: (937) 778-8947 • Canada: (905) 457-6223 • International: (937) 615-3598

SECTION 5B  
PAGE 7  
DATE 4/05

# Model 4030HCU

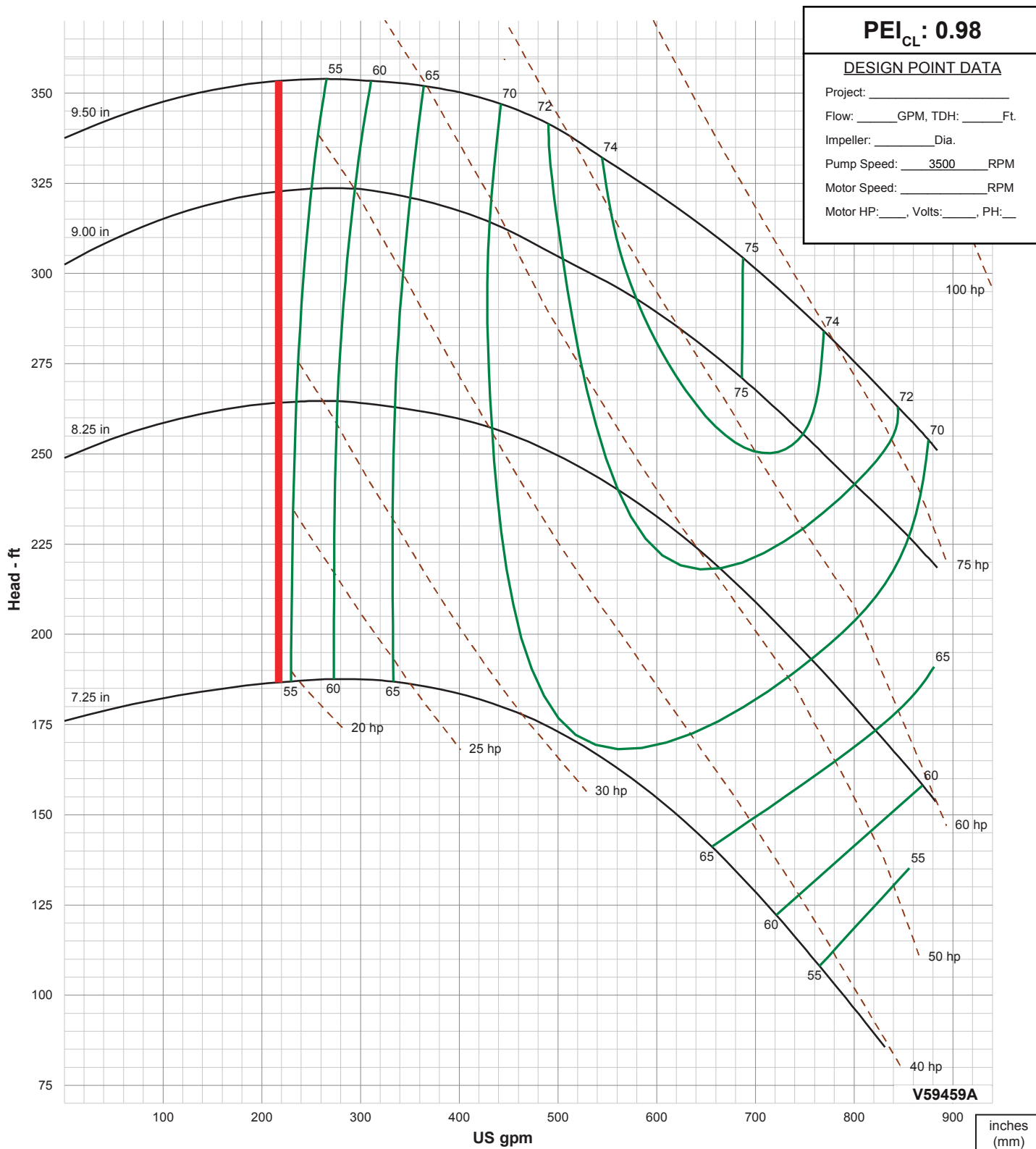
Performance Curve

Universal Drive, Various Impeller Diameters, 3500 RPM

# BARNES®

www.cranepumps.com

## End Suction Centrifugal Pumps



Testing is performed with water, specific gravity 1.0 @ 68° F @ (20°C), other fluids may vary performance

SECTION 5B  
PAGE 8  
DATE 7/18

**CRANE**  
A Crane Co. Company

**PUMPS & SYSTEMS**

A Crane Co. Company

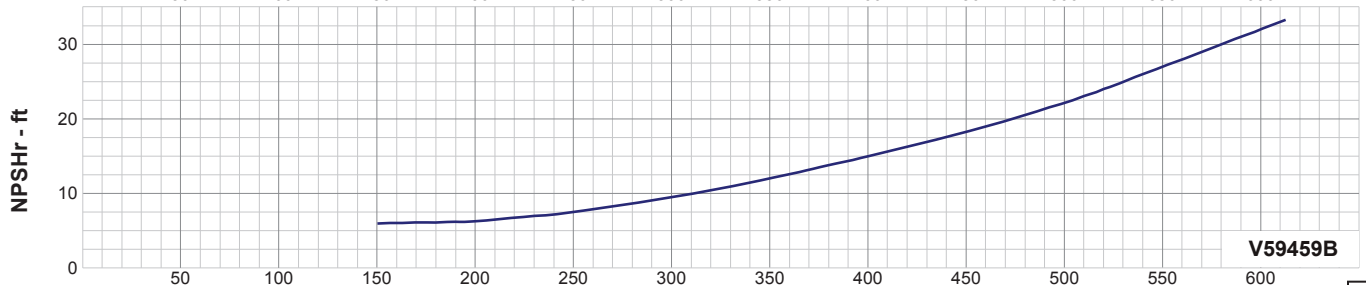
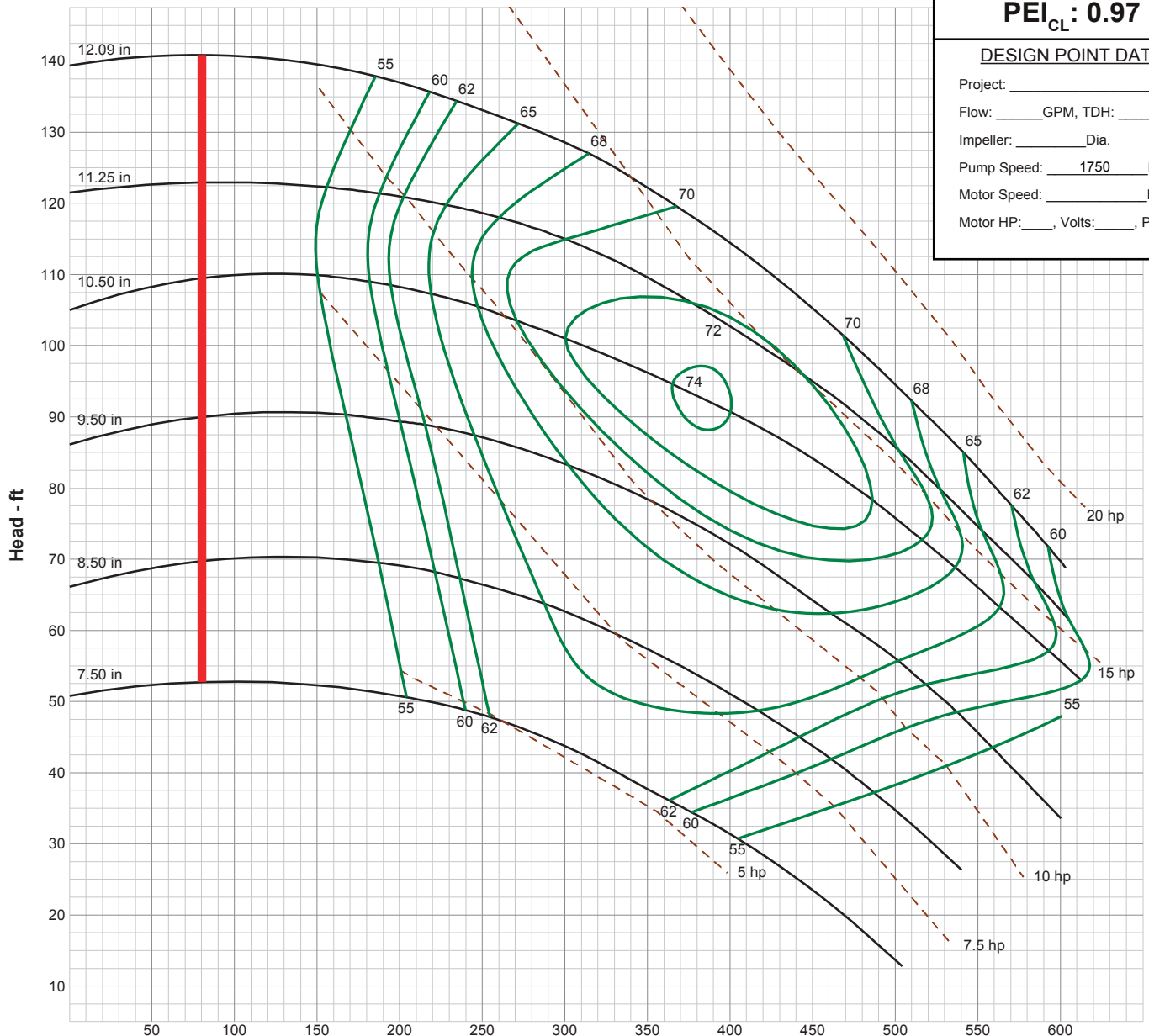
USA: (937) 778-8947 • Canada: (905) 457-6223 • International: (937) 615-3598

### End Suction Centrifugal Pumps

**PEI<sub>CL</sub> : 0.97**

**DESIGN POINT DATA**

Project: \_\_\_\_\_  
 Flow: \_\_\_\_\_ GPM, TDH: \_\_\_\_\_ Ft.  
 Impeller: \_\_\_\_\_ Dia.  
 Pump Speed: \_\_\_\_\_ 1750 \_\_\_\_\_ RPM  
 Motor Speed: \_\_\_\_\_ RPM  
 Motor HP: \_\_\_\_\_, Volts: \_\_\_\_\_, PH: \_\_\_\_\_



Order Online: [www.PumpCatalog.com](http://www.PumpCatalog.com)

Testing is performed with water, specific gravity 1.0 @ 68° F @ (20°C), other fluids may vary performance



A Crane Co. Company

PUMPS & SYSTEMS

USA: (937) 778-8947 • Canada: (905) 457-6223 • International: (937) 615-3598

SECTION 5B  
 PAGE 9  
 DATE 7/18

inches  
(mm)