

# SALES & ENGINEERING DATA

RATIO SERIES: **1:1**

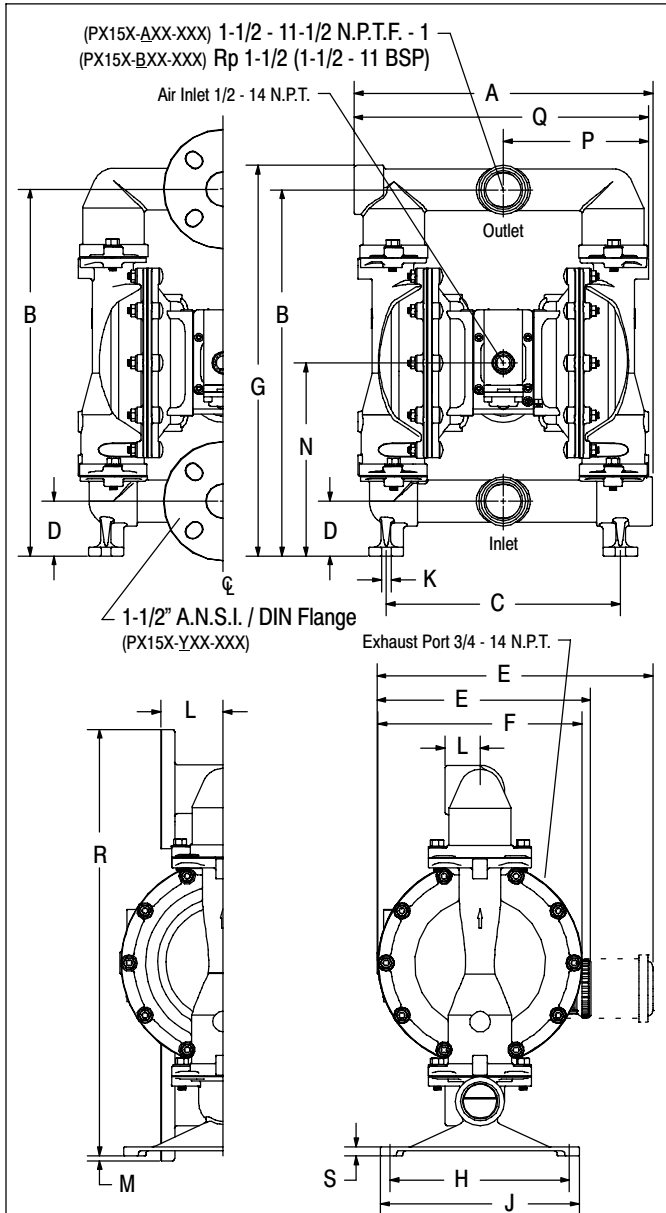
## PD15X-XXX-XXX and PE15X-XXX-XXX

FLUID P.S.I. RANGE: **20 - 120**

### 1-1/2" METALLIC DIAPHRAGM PUMP

RELEASED: 8-7-03  
 REVISED: 9-16-11  
 (REV. 10) S-1281

#### DIMENSIONAL DATA



#### DIMENSIONS

A - see below	G - 19-5/8" (498.1 mm)	N - 9-11/16" (246.0 mm)
B - 18-3/8" (466.7 mm)	H - 9" (228.6 mm)	P - see below
C - 11-3/4" (298.5 mm)	J - 10" (254.0 mm)	Q - see below
D - 2-3/4" (69.9 mm)	K - 1/2" (12.7 mm)	R - 21-7/16" (543.9 mm)
E - see below	L - see below	S - see below
F - 10-1/4" (260.4 mm)	M - 1/4" (6.4 mm)	

#### SPECIFICATIONS

##### CONSTRUCTION

<b>Model Series</b> .....	PD15X-XXX-XXX PE15X-XXX-XXX
<b>Pump Type</b> .....	Metallic, Air Operated, Double Diaphragm
<b>Ratio</b> .....	1:1
<b>Material Inlet / Outlet (female)</b>	
PX15X- <u>A</u> X-XXX .....	1-1/2 - 11-1/2 N.P.T.F. - 1
PX15X- <u>B</u> X-XXX .....	Rp 1-1/2 (1-1/2 - 11 BSP)
PX15X- <u>Y</u> X-XXX .....	1-1/2" A.N.S.I. / DIN Flange
<b>Air Inlet (female)</b> .....	1/2 - 14 N.P.T.
<b>Air Exhaust (female)</b> .....	3/4 - 14 N.P.T.
<b>Weight</b> ..	
PX15R- <u>X</u> A-X-XXX .....	37.65 lbs (17.08 kgs)
PX15R- <u>X</u> C-X-XXX .....	73.2 lbs (33.2 kgs)
PX15R- <u>X</u> H-X-XXX .....	86.9 lbs (39.4 kgs)
PX15R- <u>X</u> S-X-XXX .....	61.2 lbs (27.8 kgs)
	add 2.14 lbs (0.97 kg) for aluminum air motor section
	add 18.14 lbs (8.23 kg) for stainless steel air motor section
<b>Air Section Service Kit</b> .....	637389
<b>Major Air Valve Assembly</b> .....	637390-X
<b>Fluid Section Service Kit</b> .....	637375-XX

**PX15X-XXX-X** X X  
**637375 -** X X

Diaphragm Material  
 Ball Material

EXAMPLE: Model # PD15S-ASS-SAA  
 Fluid Section Service Kit is 637375-AA

##### PERFORMANCE

<b>Air Inlet Pressure Range</b> .....	20 - 120 p.s.i. (1.4 - 8.3 bar)
<b>Maximum Material Inlet Pressure</b> ..	10 p.s.i. (0.69 bar)
<b>Fluid Pressure Range</b> .....	20 - 120 p.s.i. (1.4 - 8.3 bar)
<b>Maximum Flow Rate (flooded inlet)</b> ...	123 g.p.m. (465.6 l.p.m.)
<b>Displacement / Cycle @ 100 p.s.i.</b> ..	0.617 gal. (2.34 lit.)
<b>Maximum Particle Size</b> .....	1/4" dia. (6.4 mm)
<b>Maximum Temperature Limits (diaphragm / ball / seal material)</b>	
E.P.R. / EPDM .....	-60° to 280° F (-51° to 138° C)
Hytrek .....	-20° to 150° F (-29° to 66° C)
Nitrile .....	10° to 180° F (-12° to 82° C)
Polypropylene .....	35° to 175° F (2° to 79° C)
Santoprene .....	-40° to 225° F (-40° to 107° C)
PTFE .....	40° to 225° F (4° to 107° C)
Viton .....	-40° to 350° F (-40° to 177° C)
<b>Noise Level @ 70 p.s.i. - 60 c.p.m.</b> ..	82.8 db(A)①

① The pump sound pressure level has been updated to an Equivalent Continuous Sound Level (L<sub>Aeq</sub>) to meet the intent of ANSI S1. 13-1971, CAGI-PNEUROP S5.1 using four microphone locations.

	"A"	"L"	"P"	"Q"	"S"	"E"
PX15X- <u>X</u> A-X-XXX	14-7/8" (377.8 mm)	1-3/4" (44.5 mm)	7-7/32" (183.4 mm)	14-23/32" (373.9 mm)	1/2" (12.7 mm)	PX15 <u>A</u> -XXX-XXX 14-1/32" (356.2 mm)
PX15X- <u>X</u> C-X-XXX	14-5/8" (371.5 mm)	1-3/4" (44.5 mm)	7-3/16" (182.6 mm)	14-1/2" (368.3 mm)	1/4" (6.4 mm)	PX15 <u>B</u> -XXX-XXX 11-3/32" (281.3 mm)
PX15X- <u>X</u> H-X-XXX	14-9/16" (370.0 mm)	3-1/8" (79.4 mm)	7-3/16" (182.6 mm)	14-1/2" (368.3 mm)	1/4" (6.4 mm)	PX15 <u>S</u> -XXX-XXX 13-7/8" (352.4 mm)
PX15X- <u>A</u> S-X-XXX	14-25/32" (375.5 mm)	1-3/4" (44.5 mm)	7-9/32" (185.0 mm)	14-13/16" (375.5 mm)	15/32" (11.4 mm)	
PX15X- <u>B</u> S-X-XXX	14-25/32" (375.5 mm)	1-3/4" (44.5 mm)	7-9/32" (185.0 mm)	14-13/16" (375.5 mm)	15/32" (11.4 mm)	
PX15X- <u>Y</u> S-X-XXX	14-9/16" (370.0 mm)	3-1/8" (79.4 mm)	7-9/32" (185.0 mm)	14-9/16" (370.0 mm)	15/32" (11.4 mm)	

**PERFORMANCE CURVES**

**PX15X-XXX-XXX 1-1/2" METALLIC DIAPHRAGM PUMP**

