

# SALES & ENGINEERING DATA

## PE20A-XXX-XXX-B0S and PE20S-XXX-XXX-B0S 2" Metallic Diaphragm Pump

RATIO SERIES: **1:1**

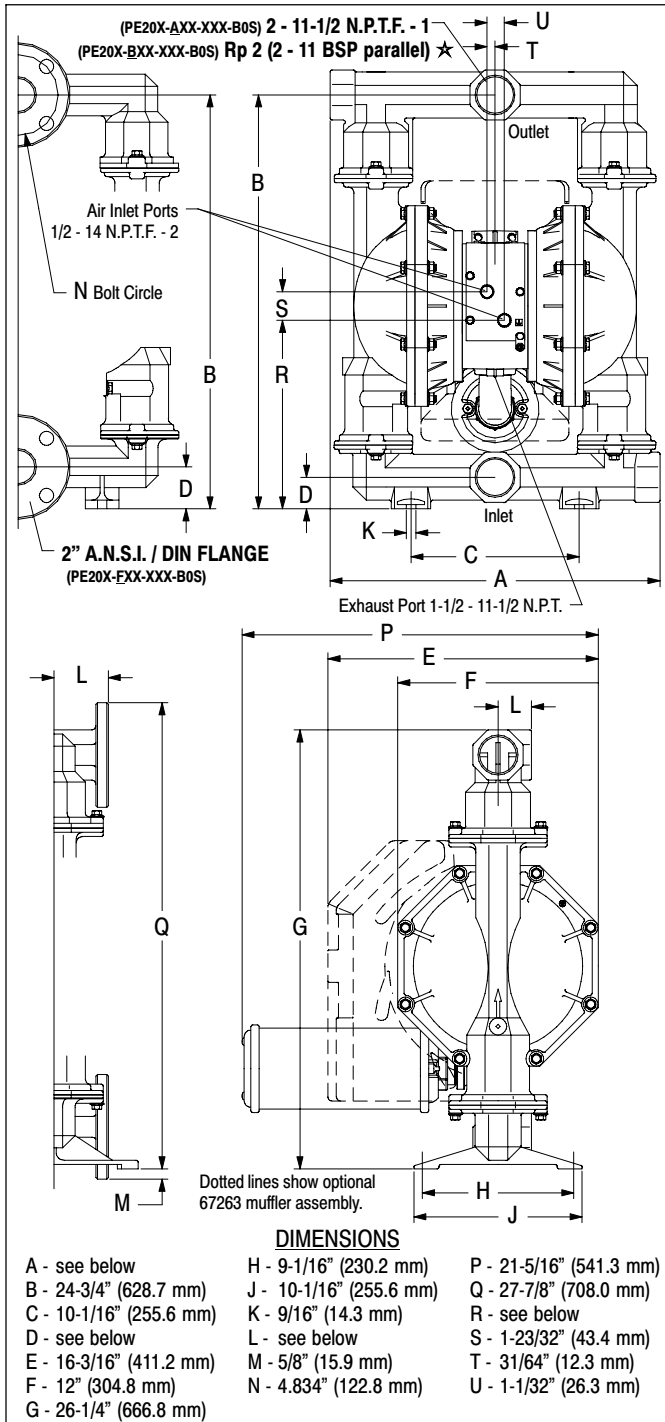
FLUID P.S.I. RANGE: **20 - 120**

RELEASED: 12-12-06

REVISED: 9-15-11

(REV. 03) S-1403

### DIMENSIONAL DATA



### SPECIFICATIONS

#### CONSTRUCTION

Model Series	PE20A-XXX-XXX-B0S
	PE20S-XXX-XXX-B0S
Pump Type	Metallic, Air Operated, Double Diaphragm
Ratio	1:1
Material Inlet / Outlet (female)	
PE20X- <del>AXX</del> -XXX-B0S	2 - 11-1/2 N.P.T.F. - 1
PE20X- <del>BXX</del> -XXX-B0S	Rp 2 (2 - 11 BSP parallel)
PE20X-FXX-XXX-B0S	2" A.N.S.I. / DIN Flange
Air Inlet (female)	1/2 - 14 N.P.T.F. - 2
Air Exhaust (female)	1-1/2 - 11-1/2 N.P.T.
Weight	
PE20A-XAX-XXX-B0S	88.4 lbs (40.1 kgs)
PE20A-XCX-XXX-B0S	144.4 lbs (65.5 kgs)
PE20A-AHX-XXX-B0S, -BHX	152.0 lbs (68.9 kgs)
PE20A-ASX-XXX-B0S, -BSX	146.8 lbs (66.6 kgs)
PE20A-FHX-XXX-B0S, -FSX	159.2 lbs (72.2 kgs)
(add 25.1 lbs [11.4 kgs] for stainless steel air motor section)	
Air Section Service Kit	637421
Fluid Section Service Kit	637309-XX

**PE20X-XXX-X   -B0S**  
**637309 -**

Diaphragm Material  
Ball Material

EXAMPLE: Model # PE20A-ACS-SAA-B0S  
Fluid Section Service Kit is 637309-AA

#### PERFORMANCE

Air Inlet Pressure Range	20 - 120 p.s.i. (1.4 - 8.3 bar)
Maximum Material Inlet Pressure	10 p.s.i. (0.69 bar)
Fluid Pressure Range	20 - 120 p.s.i. (1.4 - 8.3 bar)
Maximum Flow Rate	172 g.p.m. (651 l.p.m.)
Displacement / Cycle @ 100 p.s.i.	1.4 gal. (5.3 lit.)
Maximum Particle Size	1/4" dia. (6.4 mm)
Maximum Temperature Limits (diaphragm / ball / seal material)	
E.P.R. / EPDM	-60° to 280° F (-51° to 138° C)
Hytrel®	-20° to 150° F (-29° to 66° C)
Nitrile	10° to 180° F (-12° to 82° C)
Kynar® PVDF	10° to 200° F (-12° to 93° C)
Santoprene®	-40° to 225° F (-40° to 107° C)
PTFE	40° to 225° F (4° to 107° C)
Viton®	-40° to 350° F (-40° to 177° C)
Noise Level @ 70 p.s.i. - 60 c.p.m.①	85.0 db(A)②

① Tested with 67263 muffer assembly installed.

② The pump sound pressure level has been updated to an Equivalent Continuous Sound Level (L<sub>Aeq</sub>) to meet the intent of ANSI S1. 13-1971, CAGI-PNEUROP S5.1 using four microphone locations.

#### ACCESSORIES:

- 67263 Continuous Muffer
- 94117 Int. Muffer

	"A"	"D"	"L"	"R"	
PE20X-XAX-XXX-B0S	19-3/4" (501.4 mm)	1-7/8" (47.6 mm)	2" (50.8 mm)	11-9/32" (286.2 mm)	NOTE: Dimensions are shown in inches and (mm) and are supplied for reference only. ★ Side Discharge Ports are not available on PX20X-XSX-X-B Models.
PE20X-XCX-XXX-B0S	19-3/4" (501.4 mm)	1-7/8" (47.6 mm)	2" (50.8 mm)	11-9/32" (286.2 mm)	
PE20X-AHX-XXX-B0S, -BHX	19-1/4" (488.7 mm)	2-1/2" (63.5 mm)	2-3/32" (53.0 mm)	11-29/32" (302.0 mm)	
PE20X-ASX-XXX-B0S, -BSX	19-1/4" (488.7 mm)	2-1/2" (63.5 mm)	2-3/32" (53.0 mm)	11-29/32" (302.0 mm)	
PE20X-FHX-XXX-B0S, -FSX	19-1/4" (488.7 mm)	2-1/2" (63.5 mm)	3-1/4" (82.6 mm)	11-29/32" (302.0 mm)	

#### INGERSOLL RAND COMPANY LTD

209 NORTH MAIN STREET - BRYAN, OHIO 43506

☎ (800) 495-0276 • FAX(800) 892-6276

www.ingersollrandproducts.com

© 2011

CCN 15277577

# ARO

**IR** Ingersoll Rand  
Industrial Technologies

# PERFORMANCE CURVES

## PE20A-XXX-XXX-B0S / PE20S-XXX-XXX-B0S 2" METALLIC DIAPHRAGM PUMP

