

BALDOR® • RELIANCE

Product Information Packet

AFL3520A

.75HP,3450RPM,1PH,60HZ,56Z,3420L,TEAO,F1

Part Detail							
Revision:	Z	Status:	PRD/A	Change #:		Proprietary:	No
Type:	AC	Prod. Type:	3420L	Elec. Spec:	34WG0656	CD Diagram:	CD0052
Enclosure:	TEAO	Mfg Plant:		Mech. Spec:	34K048	Layout:	34LYK048
Frame:	56Z	Mounting:	F1	Poles:	02	Created Date:	
Base:	RG	Rotation:	RS	Insulation:	B	Eff. Date:	09-17-2016
Leads:	6#18,1#14 #1TH					Replaced By:	
Literature:		Elec. Diagram:					

Nameplate NP1280L									
CAT.NO.	AFL3520A								
SPEC.	34K48-656								
HP	.75								
VOLTS	115/230								
AMP	11/5.5								
RPM	3450								
FRAME	56Z								
				HZ	60			PH	1
SER.F.	1.00			CODE	J		DES	N	CL
									B
NEMA-NOM-EFF	71			PF	68				
RATING	40C AMB-CONT								
CC							USABLE AT 208V		
DE	6203			ODE	6203				
ENCL	TEAO			SN					

Parts List		
Part Number	Description	Quantity
SA008195	SA 34K48-656	1.000 EA
RA004642	RA 34K48-656	1.000 EA
EC1270A02SP	ELEC CAP, 270-324 MFD, 125V, 1.48D X 3.	1.000 EA
WD4100A01	DP-875 HEYCO PLUG OR 62MP0875 MICRO PLAS	1.000 EA
RM1001A01	GROMMET "MIDSTATES"	1.000 EA
34EP3204A01SP	FR ENDPLATE, MACH	1.000 EA
11XT0832G06	8-32 X 3/8 TY 23 TAPPING	1.000 EA
51XW0832A07	8-32 X .44, TAPTITE II, HEX WSHR SLTD SE	3.000 EA
NS2500A01	INSULATOR, AUTO THER PROT	1.000 EA
SP5068A01	34L TERM PANEL STAT SWITCH #E-6"	1.000 EA
34CB4800SP	CAPACITOR COVER, STAMPED PRIMED	1.000 EA
34GS3000SP	GASKET, CAPACITOR BOX	1.000 EA
51XB1016A05	10-16X5/16HX WA SL SR TYB (F/S)	2.000 EA
WD1000A03	41531 AMP FLG.TERM,4M/REEL(2.5MIL)	1.000 EA
HW5100A03SP	WAVY WASHER (W1543-017)	1.000 EA
34EP3102A02SP	FR/PU ENDPLATE, MACH	1.000 EA
XY1032A02	10-32 HEX NUT DIRECTIONAL SERRATION	4.000 EA
34CB4501SP	TERMINAL BOX LID, STAMPED X (PLATED)	1.000 EA
34GS1005	GASKET, TERM PLATE LID	1.000 EA
51XW0832A07	8-32 X .44, TAPTITE II, HEX WSHR SLTD SE	2.000 EA
HW2501D13	KEY, 3/16 SQ X 1.375	1.000 EA
HA7000A04	KEY RETAINER 0.625 DIA SHAFTS	1.000 EA
MG1025C02	WILKOFASST SG, 787.105, TAN	0.014 GA
10XF0440S02	04-40 X 1/8 TYPE F HEX HD STAINLESS STIC	2.000 EA

Parts List (continued)		
Part Number	Description	Quantity
NS2500A01	INSULATOR, AUTO THER PROT	1.000 EA
HA3100A44	THRUBOLT 10-32 X 8.000	4.000 EA
LB1118	LABEL,WARNING (ROLL LABEL)	1.000 EA
LC0052	CONNECTION LABEL	1.000 EA
NP1280L	ALUM FARM DUTY UL CSA CC THERMAL	1.000 EA
34PA1002	PKG GRP, PRINT PK1001A01	1.000 EA

Accessories		
Part Number	Description	Multiplier
34-171	C FACE KIT	A8

AC Induction Motor Performance Data

Record # 50784 - Typical performance - not guaranteed values

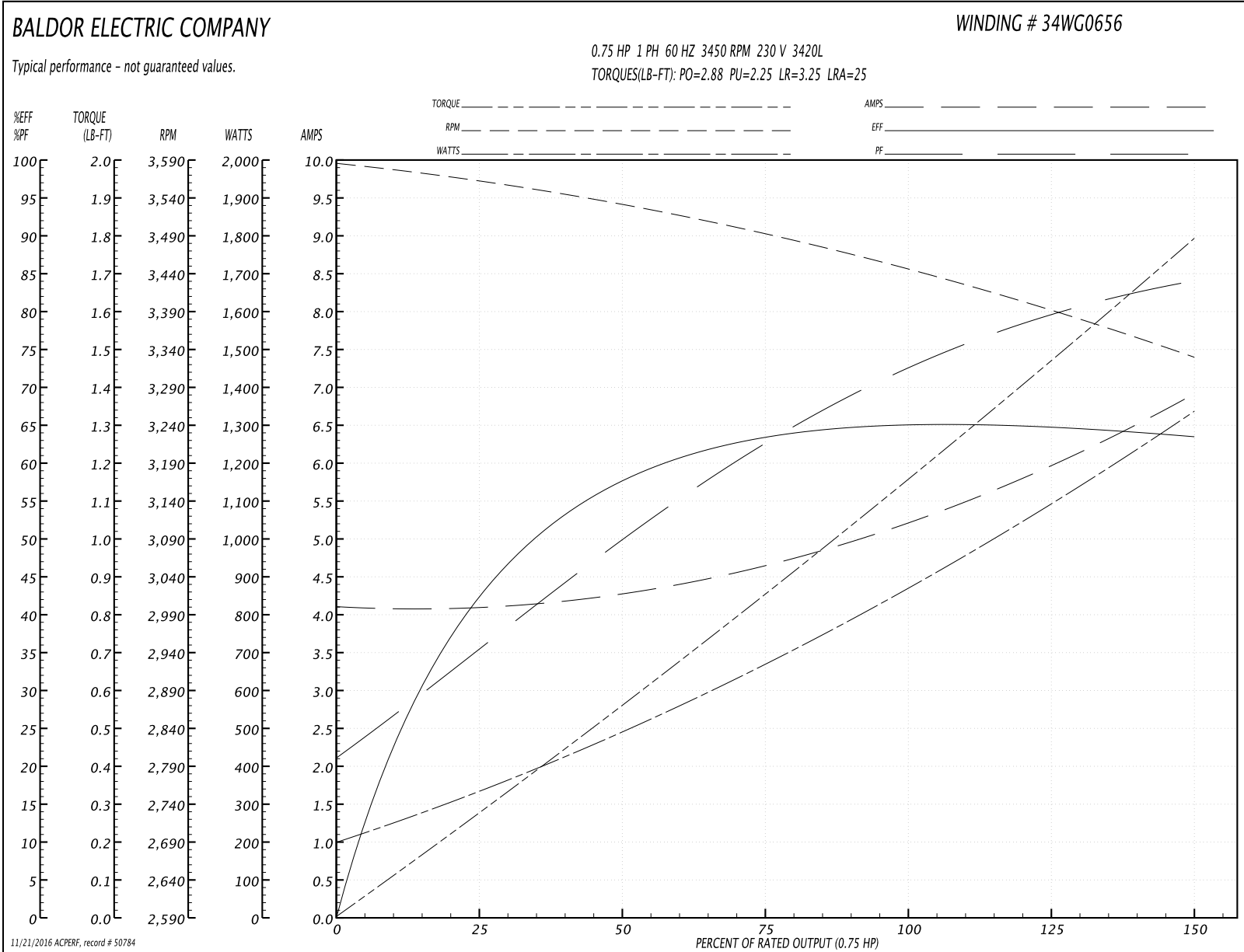
Winding: 34WG0656-R001	Type: 3420L	Enclosure: TEAO
-------------------------------	--------------------	------------------------

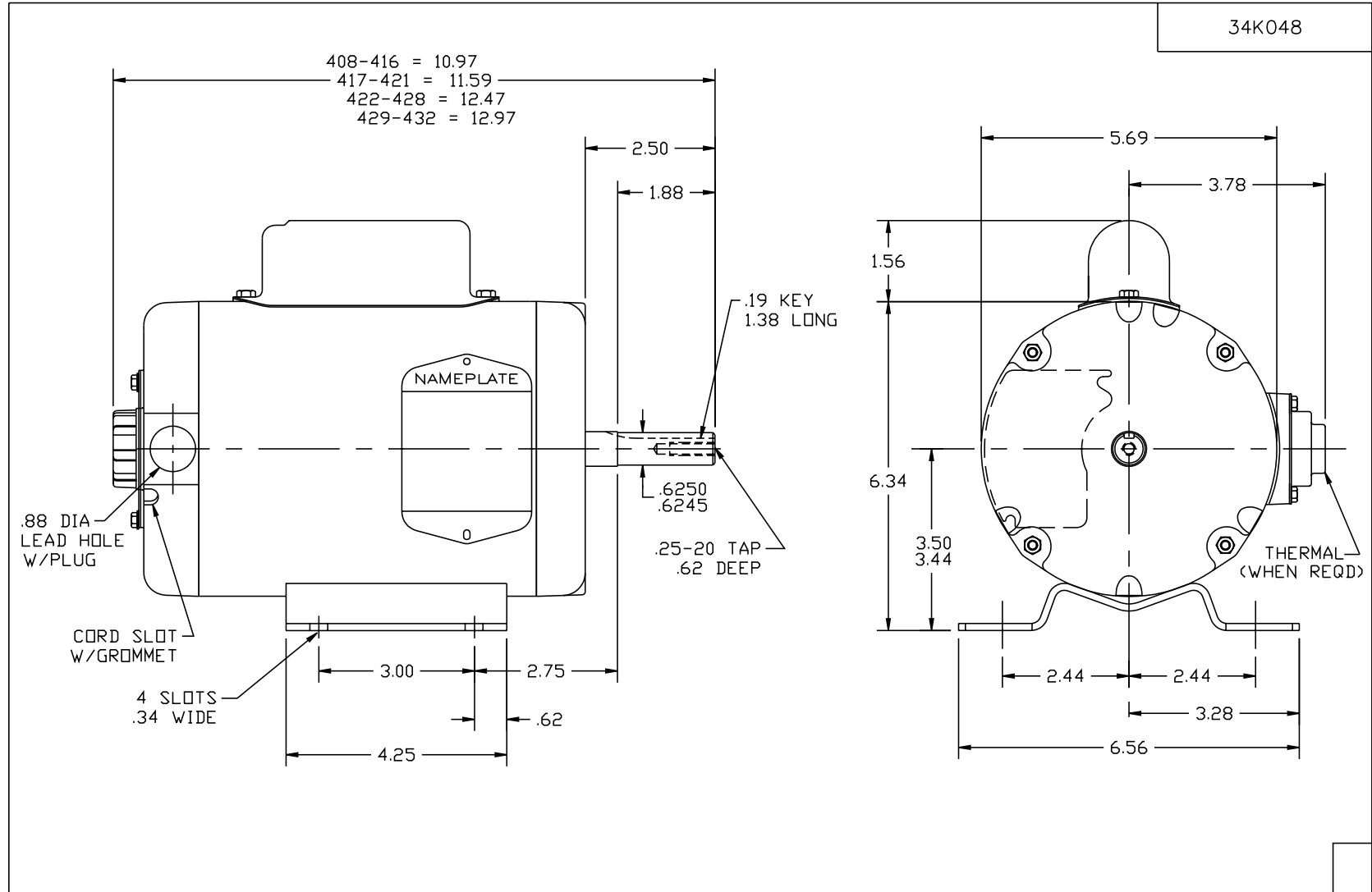
Nameplate Data				230 V, 60 Hz: High Voltage Connection	
Rated Output (HP)	.75			Full Load Torque	1.2 LB-FT
Volts	115/230			Start Configuration	direct on line
Full Load Amps	11/5.5			Breakdown Torque	2.88 LB-FT
R.P.M.	3450			Pull-up Torque	2.25 LB-FT
Hz	60	Phase	1	Locked-rotor Torque	3.25 LB-FT
NEMA Design Code	N	KVA Code	J	Starting Current	25 A
Service Factor (S.F.)	1			No-load Current	4.07 A
NEMA Nom. Eff.	71	Power Factor	68	Line-line Res. @ 25°C	3.18 Ω A Ph 2.53 Ω B Ph
Rating - Duty	40C AMB-CONT			Temp. Rise @ Rated Load	

Load Characteristics 230 V, 60 Hz, 0.75 HP

% of Rated Load	25	50	75	100	125	150
Power Factor	35	49	61	70	75	80
Efficiency	42	58	64	66	65	63
Speed	3557	3522	3485	3440	3399	3320
Line amperes	4.16	4.3	4.7	5.4	5.9	7

Performance Graph at 230V, 60Hz, 0.75HP Typical performance - Not guaranteed values

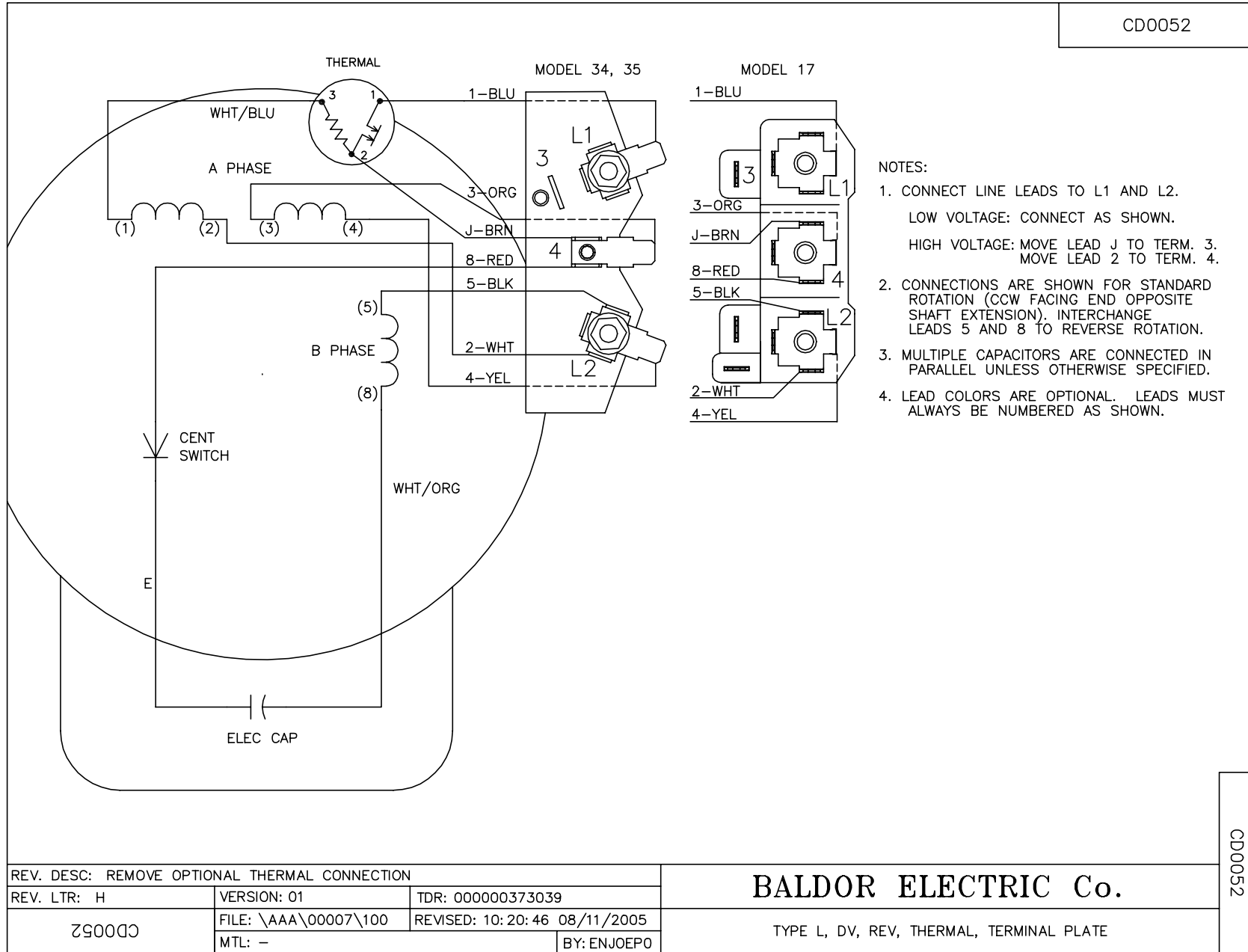




CUST. NAME		CUST. P.O.		CERTIFIED BY		MODEL		INSUL		AMB	
H.P.		MTG		TYPE		R.P.M.		VOLTS		ENCL	
PHASE		FREQ		FRAME		REMARKS:					
REV:	B	MOVED TO ACAD									
34K048		REF: 34C051	BY: MW	REVISED: 12/07/95	BALDOR ELECTRIC Co.						
		FILE: AAA00026170	TDR: 0086258	HORZ MODEL 34L NEMA 56Z TENV W/TERM PLATE (AERATION FAN MTR)							

34K048

CD0052



CD0052

REV. DESC: REMOVE OPTIONAL THERMAL CONNECTION			
REV. LTR: H	VERSION: 01	TDR: 000000373039	
Z90052	FILE: \AAA\00007\100	REVISED: 10:20:46 08/11/2005	
	MTL: -	BY: ENJOEPO	

BALDOR ELECTRIC Co.

TYPE L, DV, REV, THERMAL, TERMINAL PLATE