

# **BALDOR**® • ***RELIANCE***

## **Product Information Packet**

# **CDP3430-V12**

**.5HP, 1800RPM, DC, 56C, 3420P, TENV, 12V**

Part Detail							
Revision:	D	Status:	PRD/A	Change #:		Proprietary:	No
Type:	DC	Prod. Type:		Elec. Spec:	34WGZ609	CD Diagram:	CD0194
Enclosure:	TENV	Mfg Plant:		Mech. Spec:	34-7080	Layout:	34LY7080
Frame:	56C	Mounting:	F3	Poles:	///	Created Date:	
Base:	RG	Rotation:	R	Insulation:	F	Eff. Date:	11-04-2016
Field Type:		Literature:		Elec. Diagram:		Replaced By:	

Nameplate NP0111L	
CAT.NO.	CDP3430-V12
SPEC.	34-7080Z609G1
HP	.5
RPM	1800
FRAME	56C
ARM V	12
FLD V	
INSUL	F
DUTY	CONT
BRG/DE	6203
BRUSHES	2/BP5104BV01
SER.	
BLANK	
APRV-CSA	<input type="checkbox"/>
APRV-UL	<input type="checkbox"/>

		ENCL	TENV
		TYPE	3420P
		ARM A	40
		FLD A	
	AMB.	40	
		SUPPLY	A
	BRG/ODE	6203	
		BLANK	

Parts List		
Part Number	Description	Quantity
SA117093	SA 34-7080Z609G1	1.000 EA
AA010467	AA 34-7080Z609G1	1.000 EA
BP5104BV01	CARBON BRUSH - 12 DC - MZ65	2.000 EA
BP5100	SPRING PRESSURE BRACKET ASSY	2.000 EA
34RK5006A01	ROCKERARM ASSEMBLY MODEL 34 PM	1.000 EA
51XF1032A08	10/32X1/2 HXWSHR HD, SL, TYPE F ,SERATED	4.000 EA
86XN0832B06	8-32X3/8 BIND HD MACH,BRA	2.000 EA
HW1001B08	WASHER, #8 SPLT LD, BR	2.000 EA
WD1349	TERMINAL BLOCK, 2 STUD .25-20 BOLT	1.000 EA
34GS1023	GASKET, STRAIN RELIEF PLATE - CS-301 LEX	1.000 EA
51XW0832A07	8-32 X .44, TAPTITE II, HEX WSHR SLTD SE	4.000 EA
XY2520B12	1/4-20 BRASS NUT	4.000 EA
HW1000B25	1/4 SAE FL WASHER NARROW ID=.281 OD=.625	6.000 EA
34EP3112A07	FR EP 34PM TENV 203 BRG	1.000 EA
HW5100A03SP	WAVY WASHER (W1543-017)	1.000 EA
34CB4519	BRUSH INSPECTION COVER	2.000 EA
34GS1022	GASKET, BRUSH COVER LID, NEOPRENE NON CO	2.000 EA
51XW0832A07	8-32 X .44, TAPTITE II, HEX WSHR SLTD SE	4.000 EA
34EP3300A66	PU ENDPLATE, MACH W/INTERNAL RABBET	1.000 EA
51XN1032A20	10-32 X 1 1/4 HX WS SL SR	2.000 EA
HW2501D13	KEY, 3/16 SQ X 1.375	1.000 EA
HA7000A04	KEY RETAINER 0.625 DIA SHAFTS	1.000 EA
LD5000B14	LEAD ASSY, ML1400B08 W/#10 & .25 RING TE	1.000 EA
LB9000A51	LEAD MARKER - WM-A1	4.000 SH

<b>Parts List (continued)</b>		
<b>Part Number</b>	<b>Description</b>	<b>Quantity</b>
LB9000A52	LEAD MARKER - WM-"A2"	4.000 SH
LD5000B14	LEAD ASSY, ML1400B08 W/#10 & .25 RING TE	1.000 EA
MG1000G27	MED CHARCOAL METALLIC GREY 400-0096	0.014 GA
10XF0440S02	04-40 X 1/8 TYPE F HEX HD STAINLESS STIC	2.000 EA
HA3100A11	THRUBOLT 10-32 X 6.750	4.000 EA
LB1119N	WARNING LABEL	1.000 EA
LC0194	CONNECTION LABEL	1.000 EA
MN416A01	TAG-INSTAL-MAINT no wire (1200/bx) 11/14	1.000 EA
NP0111L	NP STD LASER ENGRAVED DC MOTORS, UL CSA	1.000 EA
35PA1000	PKG GRP, PRINT PK1008A06	1.000 EA

**DC Motor Performance Data**

Record # 501 - Typical performance - not guaranteed values

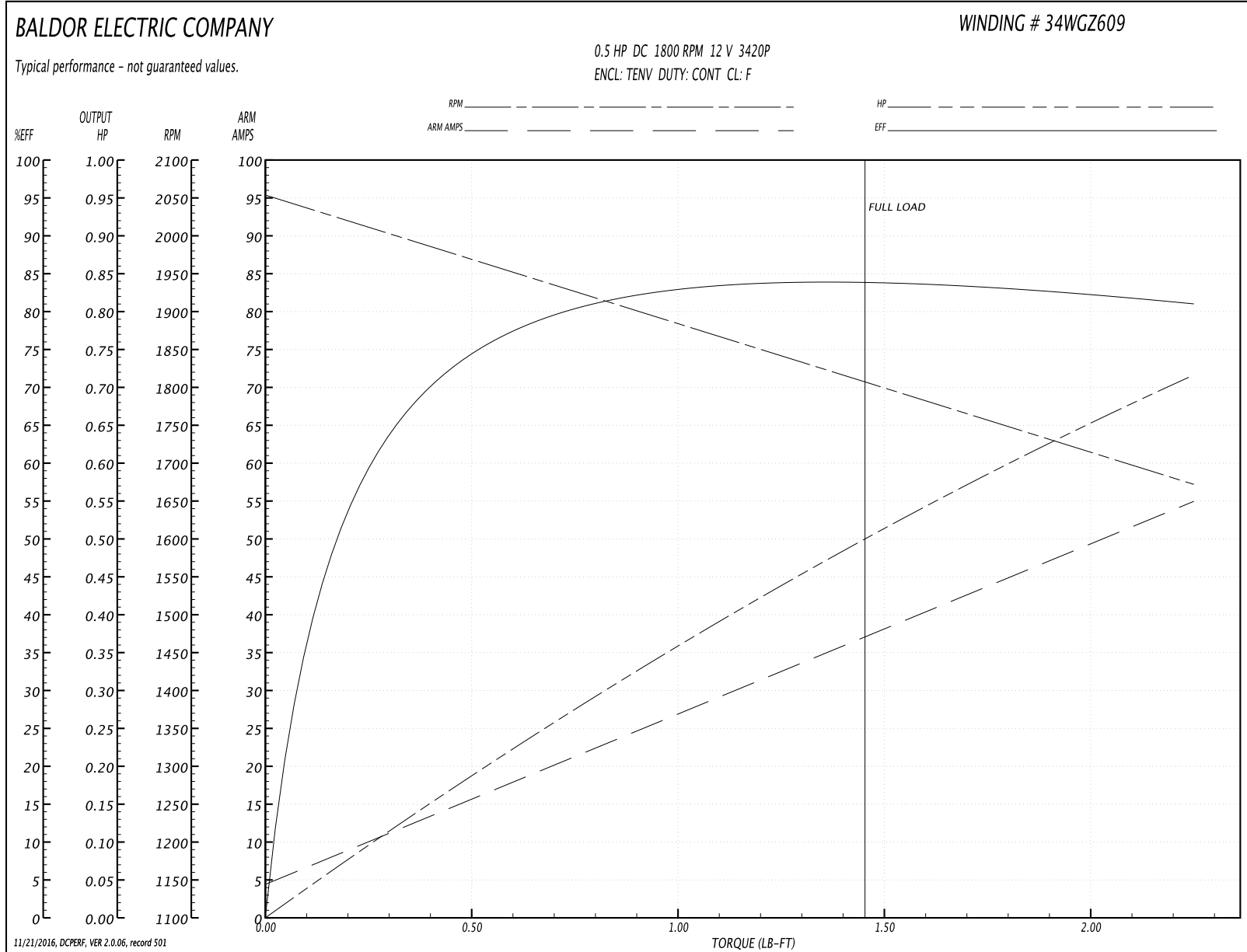
<b>Winding:</b> 34WGZ609-R002	<b>Type:</b> 3420P	<b>Enclosure:</b> TENV
-------------------------------	--------------------	------------------------

Nameplate Data		General Characteristics	
Rated Output (HP)	0.5	Armature Resistance @ 25°C	0.0213 Ω
R.P.M.	1800		
Armature Volts	12	Voltage Constant	5.84 v/krpm
Armature Amps	40		
Field Volts		Armature Inductance	0.1689 mH
Field Amps		Armature Inertia	6.887 LI <sup>2</sup>
Rating - Duty	40C AMB-CONT		
Power Supply Code	A		

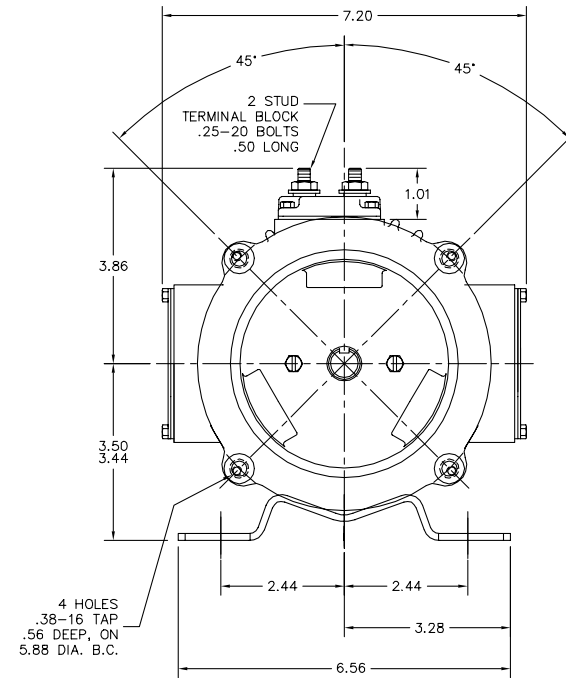
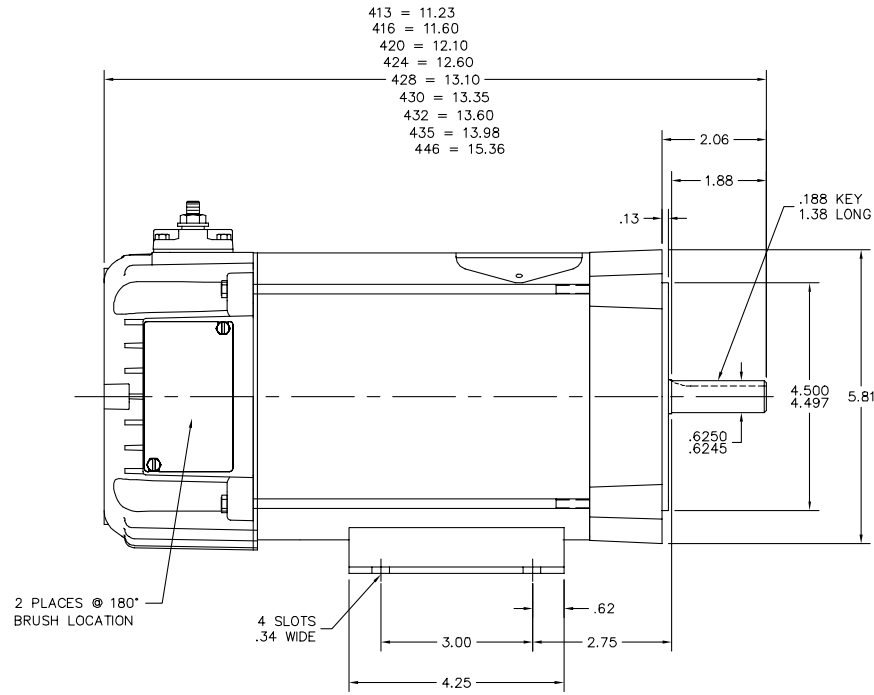
Load Characteristics at 12 Armature Volts

Load Point	1	2	3	4	5	6	7
Armature Amps	4.44	12.86	21.28	29.7	38.12	46.54	54.97
R.P.M.	2054	1990	1926	1863	1799	1736	1672
Torque ( LB-FT )	0	0.375	0.75	1.125	1.5	1.875	2.25

Performance Graph at 12.0 Arm V, 0.5HP Typical performance - Not guaranteed values



34LY7080



34LY7080

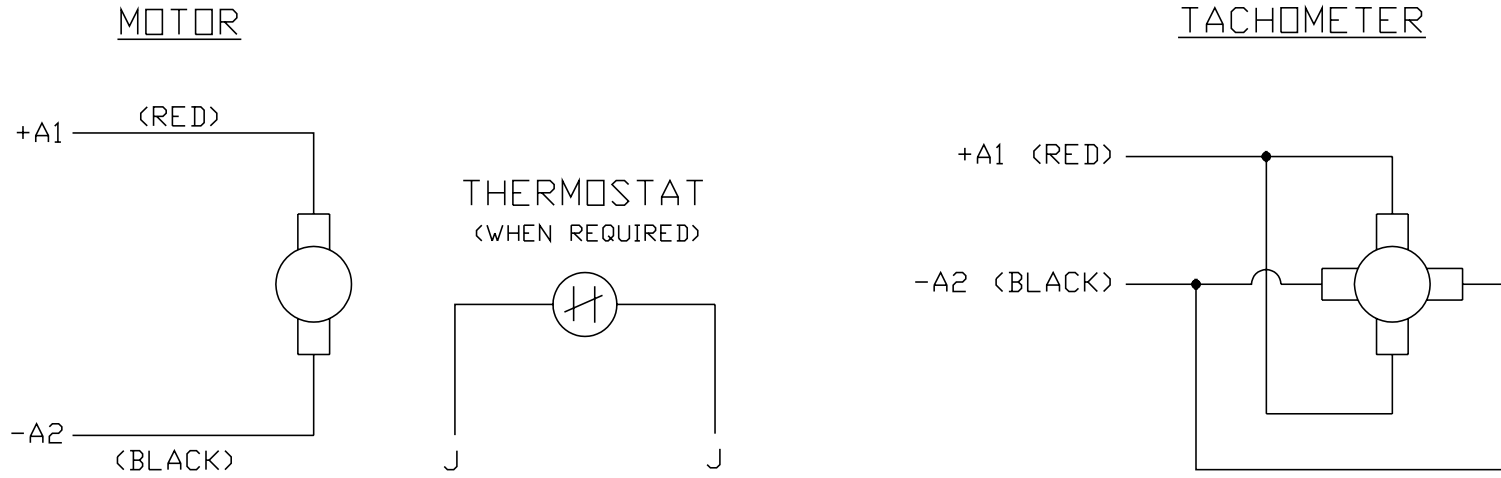
CUSTOMER IS RESPONSIBLE FOR DETERMINING THAT BALDOR'S PRODUCT WILL PERFORM SUITABLY IN THE INTENDED APPLICATION.

REV. DESC: CORRECT OAL DIMENSION. IT IS NOT TOUCHING FREP		
REV. LTR: C	VERSION: 03	TDR: 000000939125
FILE: \AAA\00118\141	REVISED: 10:52:52 08/13/2015	BY: USGRHUR
MTL: -		

<b>BALDOR</b>
STD HORZ 34PM NEMA 56C TENV W/TERMINAL BLOCK (HI DEMAG MTR)
SH 1 of 1



CD0194



NOTES:

1. CCW ROTATION AS SHOWN FACING COMMUTATOR END. TO REVERSE MOTOR ROTATION OR TACHOMETER OUTPUT POLARITY INTERCHANGE LEADS A1(RED) & A2(BLACK)
2. LEAD COLORS FOR REFERENCE ONLY & NOT SPECIFIED BY THIS DRAWING. LEAD COLORS SPECIFIED BY LAYOUT DRAWING & BILL OF MATERIAL ONLY.

MATL: -			
REV: E	ADDED NOTE "LEAD COLORS FOR REFERENCE ONLY &..."		
CD0194	SCALE: -	BY: CK	REVISED: 07/28/95
	FILE: AAA00004503		TDR: 0078737

**BALDOR ELECTRIC Co.**

CD TYPE P DC PERMANENT MAGNET MOTORS AND TACHOMETERS

CD0194