

# **BALDOR**® • **RELIANCE**

## **Product Information Packet**

# **CEWDM23932T**

**10HP, 1180RPM, 3PH, 60HZ, 256TC, 3956M, TEFC, F**

| Part Detail |       |                |       |             |          |               |            |
|-------------|-------|----------------|-------|-------------|----------|---------------|------------|
| Revision:   | N     | Status:        | PRD/A | Change #:   |          | Proprietary:  | No         |
| Type:       | AC    | Prod. Type:    | 3956M | Elec. Spec: | 39WGX705 | CD Diagram:   | CD0180     |
| Enclosure:  | TEFC  | Mfg Plant:     |       | Mech. Spec: | 39R098   | Layout:       | 39LYR098   |
| Frame:      | 256TC | Mounting:      | F1    | Poles:      | 06       | Created Date: | 06-14-2010 |
| Base:       | RG    | Rotation:      | R     | Insulation: | F        | Eff. Date:    | 05-23-2016 |
| Leads:      | 9#12  |                |       |             |          | Replaced By:  |            |
| Literature: |       | Elec. Diagram: |       |             |          |               |            |

|                          |              |  |  |      |     |    |      |    |                |       |   |
|--------------------------|--------------|--|--|------|-----|----|------|----|----------------|-------|---|
| <b>Nameplate NP1669E</b> |              |  |  |      |     |    |      |    |                |       |   |
| CAT.NO.                  | CEWDM23932T  |  |  |      |     |    |      |    |                |       |   |
| SPEC.                    | 39R098X705G1 |  |  |      |     |    |      |    |                |       |   |
| HP                       | 10           |  |  |      |     |    |      |    |                |       |   |
| VOLTS                    | 230/460      |  |  |      |     |    |      |    |                |       |   |
| AMP                      | 30.2/15.1    |  |  |      |     |    |      |    |                |       |   |
| RPM                      | 1180         |  |  |      |     |    |      |    |                |       |   |
| FRAME                    | 256TC        |  |  |      | HZ  | 60 |      | PH | 3              |       |   |
| SER.F.                   | 1.00         |  |  | CODE | K   |    | DES  | A  |                | CLASS | F |
| NEMA-NOM-EFF             | 91           |  |  | PF   | 68  |    |      |    |                |       |   |
| RATING                   | 40C AMB-CONT |  |  |      |     |    |      |    |                |       |   |
| CC                       | 010A         |  |  |      | ODE |    | 6208 |    | USABLE AT 208V | 30.6  |   |
| DE                       | 6309         |  |  |      |     |    |      |    |                |       |   |
| ENCL                     | TEFC         |  |  | SN   |     |    |      |    |                |       |   |
| BLANK                    |              |  |  |      |     |    |      |    |                |       |   |

| Parts List     |  |          |
|----------------|--|----------|
| Part Number    | Description                              | Quantity |
| SA198389       | SA 39R098X705G1                          | 1.000 EA |
| RA185757       | RA 39R098X705G1                          | 1.000 EA |
| 09FN3001D01    | EXTERNAL FAN, PLASTIC                    | 1.000 EA |
| S/P107-000-005 | SUPER-E PROC'S(254/6 FR.) ZK PLANT - POL | 1.000 EA |
| MJ5002A01      | SILICON RUBBER SEALANT, 732CL 10.3 OZ TU | 0.025 EA |
| 09GS1017       | GASKET, CONDUIT BOX, .125 THICK BLACK NE | 1.000 EA |
| HA6016WP       | ADAPTER, CONDUT BOX, W/WHITE EPOXY, PRIM | 1.000 EA |
| 09GS1006       | GASKET, CONDUIT BOX, NEOP-1/16 THICK-BLA | 1.000 EA |
| 09CB3002A01P   | CB MACH - 1.25 N.P.T. LEAD HOLE W/EPOXY  | 1.000 EA |
| 51XW2520A12    | .25-20 X .75, TAPTITE II, HEX WSHR SLTD  | 2.000 EA |
| HW1001A25      | LOCKWASHER 1/4, ZINC PLT .493 OD, .255 I | 2.000 EA |
| WD1000B17      | T&B CX35TN TERMINAL                      | 1.000 EA |
| 11XW1032G06    | 10-32 X .38, TAPTITE II, HEX WSHR SLTD U | 1.000 EA |
| 39EP1100A08WP  | FR ENDPLATE, MACH W/WHITE EPOXY, PRIMED  | 1.000 EA |
| HW5100A08      | W3118-035 WVY WSHR (WB)                  | 1.000 EA |
| HW4600B44      | V-RING SLINGER 1.500 X 1.810 X .28 VITON | 1.000 EA |
| HW2502G25      | #303 SS,SQ KEY 3/8 X 2.880               | 1.000 EA |
| 39EP1500A04P   | PU ENDPLATE, MACH W/EPOXY PRIMER         | 1.000 EA |
| HW4600B53      | SEAL 1.688 X 2.275 X 0.312 SINGLE LIP DB | 1.000 EA |
| 10XN2520S28    | 1/4-20X 1 3/4 HEX HD SS X                | 4.000 EA |
| HA3154S02      | THRUBOLT STUD 3/8-16 X 15.875 SS         | 4.000 EA |
| XY3816S12      | 3/8-16 HEX FINISHED NUT SS               | 8.000 EA |
| HA2001B08      | SPL SPACER FOR AIR DEFLECTOR .50 O.D. X  | 3.000 EA |
| 09FH4000A23MWP | FAN COVER, MACH W/WHITE EPOXY            | 1.000 EA |

| Parts List (continued) |  |          |
|------------------------|--|----------|
| Part Number            | Description                              | Quantity |
| 10XN2520S16            | 41/4-20 X 1 HEX HEAD SS                  | 3.000 EA |
| 09CB3501P              | CONDUIT BOX LID FOR 09CB3001 & 09CB3002  | 1.000 EA |
| 12GS1002               | GASKET, CONDUIT BOX LID, NEOP            | 1.000 EA |
| 19XT2520S12            | 1/4-20X3/4 HWH NO SLOT TY.23 18-8 S.S.   | 2.000 EA |
| HW1001S25              | WASHER, 1/4 SPLT LK, STAINLESS STEEL     | 2.000 EA |
| HW4600B44              | V-RING SLINGER 1.500 X 1.810 X .28 VITON | 1.000 EA |
| MJ5001A27              | 32220KN GRAY SEALER *MIN BUY 4 QTS=1GAL  | 0.031 QT |
| LB1115N                | LABEL,LIFTING DEVICE (ON ROLLS)          | 1.000 EA |
| LB1164                 | LABEL,WARNING AND DRAIN                  | 1.000 EA |
| MN416A01               | TAG-INSTAL-MAINT no wire (1200/bx) 11/14 | 1.000 EA |
| HA5027A01              | HA4066A01 T-DRAIN X2 BAGGED              | 1.000 EA |
| HW4032A01              | BLACK DRAIN PLUG FOR WASH DOWN MOTORS    | 3.000 EA |
| MJ1000A02              | GREASE, POLYREX EM EXXON (USe 4824-15A)  | 0.085 LB |
| HW4032A01              | BLACK DRAIN PLUG FOR WASH DOWN MOTORS    | 3.000 EA |
| HW2500A25              | WOODRUFF KEY USA #1008 #BLOW CARBON STEE | 1.000 EA |
| 51XB1214A20            | 12-14X1.25 HXWSSLD SERTYB                | 1.000 EA |
| MG1025W01              | WILKOFASST, 781.01, SIGNAL WHITE #9003   | 0.050 GA |
| 85XU0407S04            | 4X1/4 U DRIVE PIN STAINLESS              | 2.000 EA |
| LB1119N                | WARNING LABEL                            | 1.000 EA |
| LC0181                 | CONNECTION LABEL                         | 1.000 EA |
| NP1669E                | SS WD SUPER-E UL CSA CC REV MTG          | 1.000 EA |
| 40PA1000               | PACKAGING GROUP                          | 1.000 EA |

**AC Induction Motor Performance Data**

Record # 35517 - Typical performance - not guaranteed values

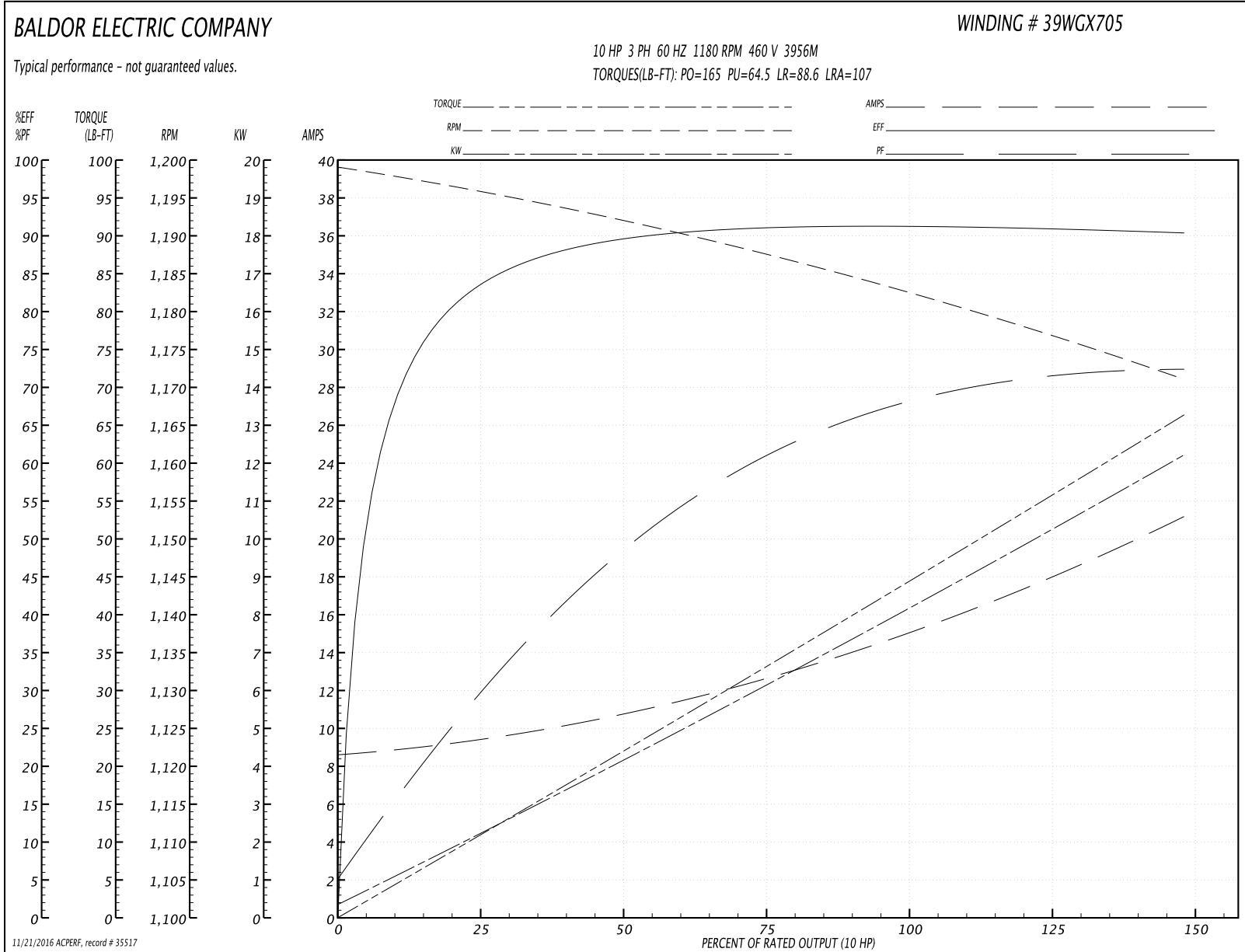
|                              |                    |                        |
|------------------------------|--------------------|------------------------|
| <b>Winding:</b> 39WG705-R002 | <b>Type:</b> 3956M | <b>Enclosure:</b> TEFC |
|------------------------------|--------------------|------------------------|

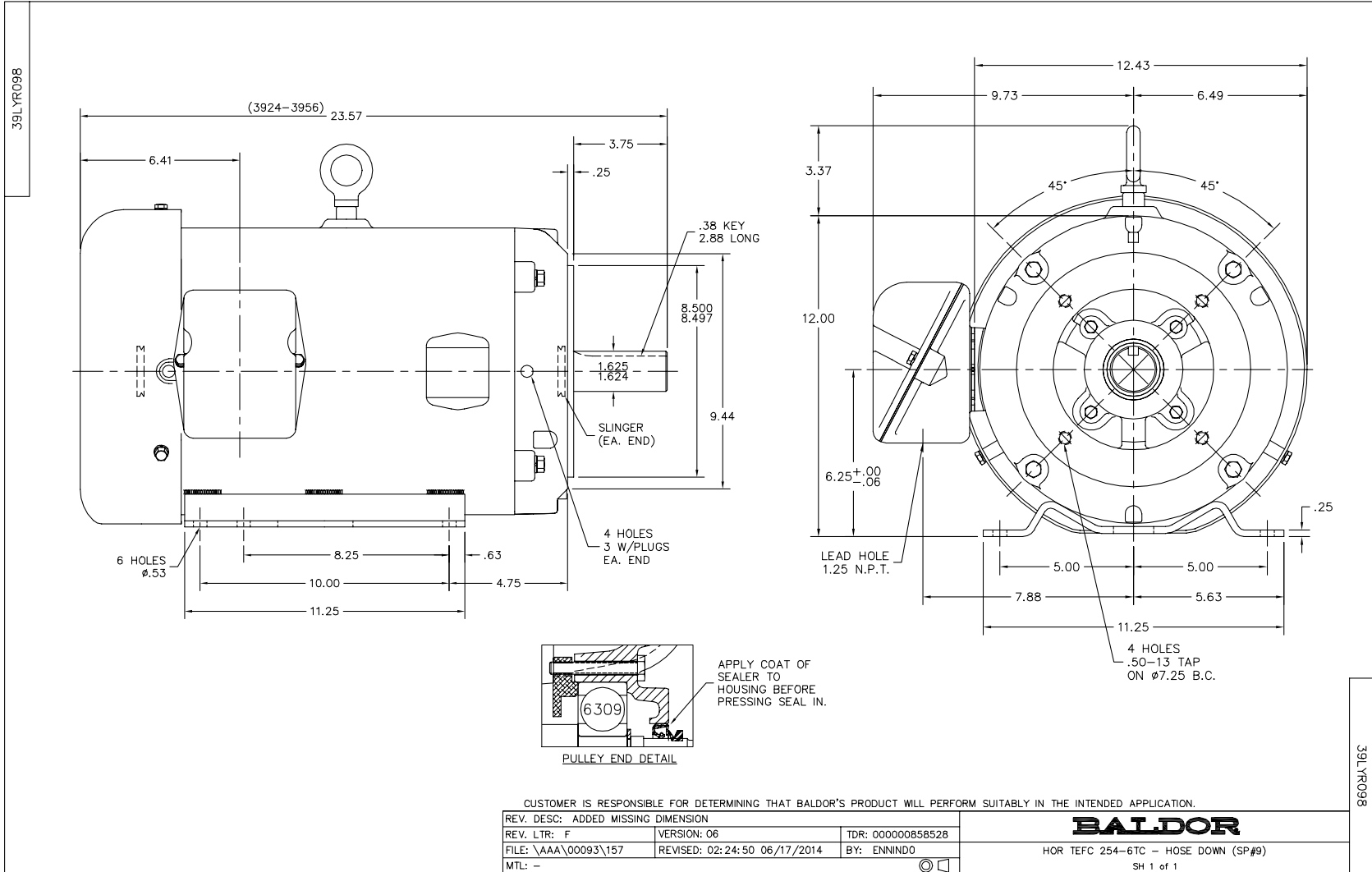
| Nameplate Data        |                |              |    | 460 V, 60 Hz:<br>High Voltage Connection |                        |
|-----------------------|----------------|--------------|----|--|------------------------|
| Rated Output (HP)     | 10             |              |    | Full Load Torque                         | 44.3 LB-FT             |
| Volts                 | 208-230/460    |              |    | Start Configuration                      | direct on line         |
| Full Load Amps        | 30.6-30.2/15.1 |              |    | Breakdown Torque                         | 165 LB-FT              |
| R.P.M.                | 1180           |              |    | Pull-up Torque                           | 64.5 LB-FT             |
| Hz                    | 60             | Phase        | 3  | Locked-rotor Torque                      | 88.6 LB-FT             |
| NEMA Design Code      | A              | KVA Code     | K  | Starting Current                         | 107 A                  |
| Service Factor (S.F.) | 1              |              |    | No-load Current                          | 8.63 A                 |
| NEMA Nom. Eff.        | 91             | Power Factor | 68 | Line-line Res. @ 25°C                    | 0.635 Ω                |
| Rating - Duty         | 40C AMB-CONT   |              |    | Temp. Rise @ Rated Load                  | 79°C                   |
|                       |                |              |    | Locked-rotor Power Factor                | 26                     |
|                       |                |              |    | Rotor inertia                            | 4.5 LB-FT <sup>2</sup> |

Load Characteristics 460 V, 60 Hz, 10 HP

| % of Rated Load | 25   | 50   | 75   | 100  | 125  | 150  |
|-----------------|------|------|------|------|------|------|
| Power Factor    | 30   | 49   | 61   | 68   | 71   | 73   |
| Efficiency      | 83   | 89.4 | 91.2 | 91.4 | 91   | 90.3 |
| Speed           | 1196 | 1192 | 1187 | 1183 | 1177 | 1171 |
| Line amperes    | 9.45 | 10.7 | 12.6 | 15.1 | 18   | 21.1 |

Performance Graph at 460V, 60Hz, 10.0HP Typical performance - Not guaranteed values

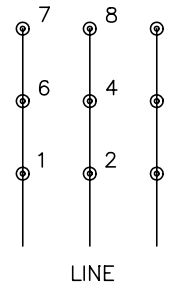




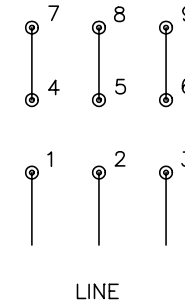
CD0180



LOW VOLTAGE  
(2D)



HIGH VOLTAGE  
(1D)



NOTES:

1. INTERCHANGE ANY TWO LINE LEADS TO REVERSE ROTATION.
2. OPTIONAL THERMOSTATS ARE PROVIDED WHEN SPECIFIED.
3. ACTUAL NUMBER OF INTERNAL PARALLEL CIRCUITS MAY BE A MULTIPLE OF THOSE SHOWN ABOVE.
4. LEAD COLORS ARE OPTIONAL. LEADS MUST ALWAYS BE NUMBERED AS SHOWN.

|   |         |                        |              |
|---|---------|------------------------|--------------|
| REV. DESC: REVISE TO SHOW OPTIONAL COLORS |         |                        |              |
| REV. LTR: C                               | BY: JLP | REVISED: 01/21/99 2:28 | TDR: 0171435 |
| 0810D0                                    |         | FILE: AAA00005148      | MDL: -       |
|   |         | MTL: -                 |              |

**BALDOR ELECTRIC Co.**

3PH, DV, 9 LEADS, DELTA CONNECTION

CD0180