

BALDOR® • ***RELIANCE***

Product Information Packet

ECP4410TR-4

125HP, 1785RPM, 3PH, 60HZ, 445T, TEFC, F1

| Part Detail | | | | | | | |
|-------------|-------|----------------|---------|-------------|-----------|---------------|------------|
| Revision: | H | Status: | PRD/A | Change #: | | Proprietary: | No |
| Type: | AC | Prod. Type: | A44076M | Elec. Spec: | A44WG3870 | CD Diagram: | 416820-036 |
| Enclosure: | TEFC | Mfg Plant: | | Mech. Spec: | | Layout: | 617427-001 |
| Frame: | 444T | Mounting: | F1 | Poles: | 04 | Created Date: | 12-06-2013 |
| Base: | | Rotation: | R | Insulation: | F | Eff. Date: | 09-17-2015 |
| Leads: | 3#1/0 | | | | | Replaced By: | |
| Literature: | | Elec. Diagram: | | | | | |

| | |
|-------------------|--|
| Nameplate NP2496L | |
| MOBILITH SHC 220 | |
| | |

| Nameplate NP3238 | | | | | | | | | |
|--------------------|-------------|-----------------|---------------|---------------|------|-----------------------|------|---------------------|------|
| CAT NO | ECP4410TR-4 | SPEC NO. | A44-5210-3870 | | | | | | |
| HP | 125 | AMPS | 144 | VOLTS | 460 | DESIGN | B | | |
| FRAME | 444T | RPM | 1785 | HZ | 60 | AMB | 40 | SF | 1.15 |
| D.E. BRG.DATA | NU222 | O.D.E. BRG.DATA | 6318 | PH | 3 | DUTY | CONT | INSUL.CLASS | F |
| D.E. BRG. | 110RU02M30X | TYPE | P | ENCL | TEFC | CODE | G | NEMA NOM EFFICIENCY | 95.4 |
| O.D.E. BRG. | 90BC03J30X | POWER FACTOR | 85 | MAX CORR KVAR | 27.0 | GUARANTEED EFFICIENCY | 94.5 | | |
| 3/4 LOAD EFF. | 95.8 | TEMP | = 200 | | | | | | |
| TEMP CODE | T3 | CT HZ | 10-60 | VT HZ | 0-60 | | | | |
| CHP HZ | 60-90 | | | | | | | | |
| INVERTER-TEMP-CODE | T3 | | | | | | | | |
| SER.NO. | | MOTOR WEIGHT | 1669 | | | | | | |

| Parts List | | |
|-------------|---------------------------------------|----------|
| Part Number | Description | Quantity |
| SA273258 | SA A44-5210-3870 | 1.000 EA |
| RA259857 | RA A44-5210-3870 | 1.000 EA |
| 421948051 | LABEL, MYLAR | 1.000 EA |
| NP2496L | MOTOR LUBE NAMEPLATE | 1.000 EA |
| 000613006PU | N/P (RELEASE QTY 10,000) UL CSA LABEL | 1.000 EA |
| 000692000VD | LABEL WARNING | 1.000 EA |
| 000692000RT | N/P | 1.000 EA |
| NP3238 | SS CP XEX SEVERE DUTY MAIN NP | 1.000 EA |
| 000692000FF | N/P | 1.000 EA |
| 089490099A | G28 BRKT 089490098WCA KB | 1.000 EA |
| 415072001B | CLAMP | 1.000 EA |
| 083199082RA | G28 SHORT FAN COVER W/BAFFLE ASSEMBLY | 1.000 EA |
| 034180014DA | KEY 1/4X1/4X1-3/4 L | 1.000 EA |
| 078548001R | FAN KB 234/150 (84) 400 | 1.000 EA |
| 004824015AP | GREASE MOBILITH SHC 220 | 1.160 LB |
| 032018020FK | HHCS 3/4-10X2-1/2 PLTD. | 4.000 EA |
| 032018008CK | HHCS 3/8-16X1L PLATED | 4.000 EA |
| 032018030DK | HHCS 1/2-13X3-3/4 PLTD. | 3.000 EA |
| 415096002A | CPLG 1/8 HEX TYPE | 1.000 EA |
| 034017014AB | LCKW 3/8 STD. PLATED | 4.000 EA |
| 034530064AB | P/NIP 1/8 X 8" L Pipe Nipple | 1.000 EA |
| 412118006A | DRAIN | 1.000 EA |
| 415045002A | SLGR | 1.000 EA |
| 034690005AB | PPLG 3/4 PLATED | 2.000 EA |

| Parts List (continued) | | |
|------------------------|---------------------------------------|----------|
| Part Number | Description | Quantity |
| 034530064BB | P/NIP 1/4X8 PLATED | 1.000 EA |
| 032620016LA | SOCKET SET SCREW-449 | 3.000 EA |
| 034631002AB | BUSH 1/4 TO 1/8 PLTD. | 1.000 EA |
| 089490101A | G28 BRKT 089490100WCA | 1.000 EA |
| 032018020FK | HHCS 3/4-10X2-1/2 PLTD. | 4.000 EA |
| 032018030DK | HHCS 1/2-13X3-3/4 PLTD. | 3.000 EA |
| 415915007G | GASK, LAC | 1.000 FT |
| 418151014G | RETAIN RING | 1.000 EA |
| 032018004BK | HHCS 5/16-18X1/2 PLATED | 3.000 EA |
| 702623013A | THERMAL BARRIER -- G28 -- BRACKET MTD | 1.000 EA |
| 415096002A | CPLG 1/8 HEX TYPE | 1.000 EA |
| 032018006BK | HHCS 5/16-18X3/4 PLATED | 3.000 EA |
| 034017013AB | LCKW 5/16 STD. PLATED | 3.000 EA |
| 034530036AB | P/NIP 1/8 X4-1/2 Yellow Zinc46114-BM | 1.000 EA |
| 415045002A | SLGR | 1.000 EA |
| 412118006A | DRAIN | 1.000 EA |
| 034530036BB | P/NIP 1/4X4-1/2 GALV. | 1.000 EA |
| 034631002AB | BUSH 1/4 TO 1/8 PLTD. | 1.000 EA |
| 406056007A | GASKET, 440 | 1.000 EA |
| 032018008BK | HHCS 5/16-18X1L PLATED | 4.000 EA |
| 418150003A | GREASE FITTING CAP | 1.000 EA |
| 418150003A | GREASE FITTING CAP | 1.000 EA |
| 035000001A | ALFTG 1/8" 1610-BL | 1.000 EA |
| 035000001A | ALFTG 1/8" 1610-BL | 1.000 EA |

Product Information Packet: ECP4410TR-4 - 125HP,1785RPM,3PH,60HZ,445T,TEFC,F1

| | | |
|-------------|---|----------|
| 067053001C | GASK 440 | 1.000 EA |
| 032018008DK | HHCS 1/2-13X1 PLATED | 4.000 EA |
| 415000103D | T/LUG #4AWG-1/0AWG W/HOLE FOR .250 BOLT | 1.000 EA |
| 406099000A | PLUG - FAN COVER 320-440 | 1.000 EA |
| 033512006LB | HHTTS 1/4-20X3/4 PLTD. | 1.000 EA |
| 076863000C | +CBCST BLKT - 440 | 1.000 EA |
| 076864000A | CB CVRCST BLKT - 440 | 1.000 EA |
| MG1025N19 | WILKO 778.50 BLUE GREEN - 55 GAL DRUMS | 0.250 GA |
| 033775004EA | DRSCR #6-1/4 304 S.S. | 2.000 EA |
| 034180054KA | KEY 7/8X7/8X6-3/4 L | 1.000 EA |
| 604797045 | STD. 400 FRAME SKID | 1.000 EA |
| 032510024D | CARRIAGE BOLT - 444 | 2.000 EA |
| 034001014AB | FLAT WASHER 3/8"PLATED | 2.000 EA |
| LB1449 | DIV-2/NEC WARNING LABEL | 1.000 EA |
| 035000001G | GREASE RELIEF FITTING, ALEMITE 317400 | 1.000 EA |
| 035000001G | GREASE RELIEF FITTING, ALEMITE 317400 | 1.000 EA |
| 034001016AB | WSHR .562ID 1.375OD .109 | 2.000 EA |
| 033300014AC | HEX NUT, SHIPPING - 400 | 2.000 EA |
| 604797003C | SHIPPING BAG | 1.000 EA |
| 604797001R | 440 FR. ROLLER BEARING MOTOR SHAFT | 1.000 EA |
| 032018028CK | HHCS 3/8-16X3-1/2 PLTD. | 1.000 EA |
| 034001016AB | WSHR .562ID 1.375OD .109 | 1.000 EA |
| 034001014AB | FLAT WASHER 3/8"PLATED | 1.000 EA |

| | | | | | | |
|-----------|-------|----------------|-----------|---|-------------|-------|
| REL. S.O. | FRAME | HP | TYPE | PHASE/ HERTZ | RPM | VOLTS |
| | 444T | 125 | P | 3/60 | 1785 | 460 |
| AMPS | DUTY | AMB °C/ INSUL. | S.F. | NEMA DESIGN | CODE LETTER | ENCL. |
| 144 | CONT | 40/F | 1.15 | B | G | TEFC |
| E/S | ROTOR | TEST S.O. | TEST DATE | STATOR RES. @25 °C OHMS (BETWEEN LINES) | | |
| 498834 | 0 | --- | --- | .0383 | | |

PERFORMANCE


| LOAD | HP | AMPERES | RPM | POWER FACTOR % | EFFICIENCY % |
|---------|------|---------|------|----------------|--------------|
| NO LOAD | 0 | 44.8 | 1800 | 3.97 | 0 |
| 1/4 | 31.3 | 61.3 | 1796 | 51.1 | 93.4 |
| 2/4 | 62.5 | 83.8 | 1792 | 73.0 | 95.5 |
| 3/4 | 93.7 | 112 | 1788 | 81.7 | 95.8 |
| 4/4 | 125 | 144 | 1784 | 85.3 | 95.5 |
| 5/4 | 156 | 178 | 1780 | 86.6 | 95.0 |

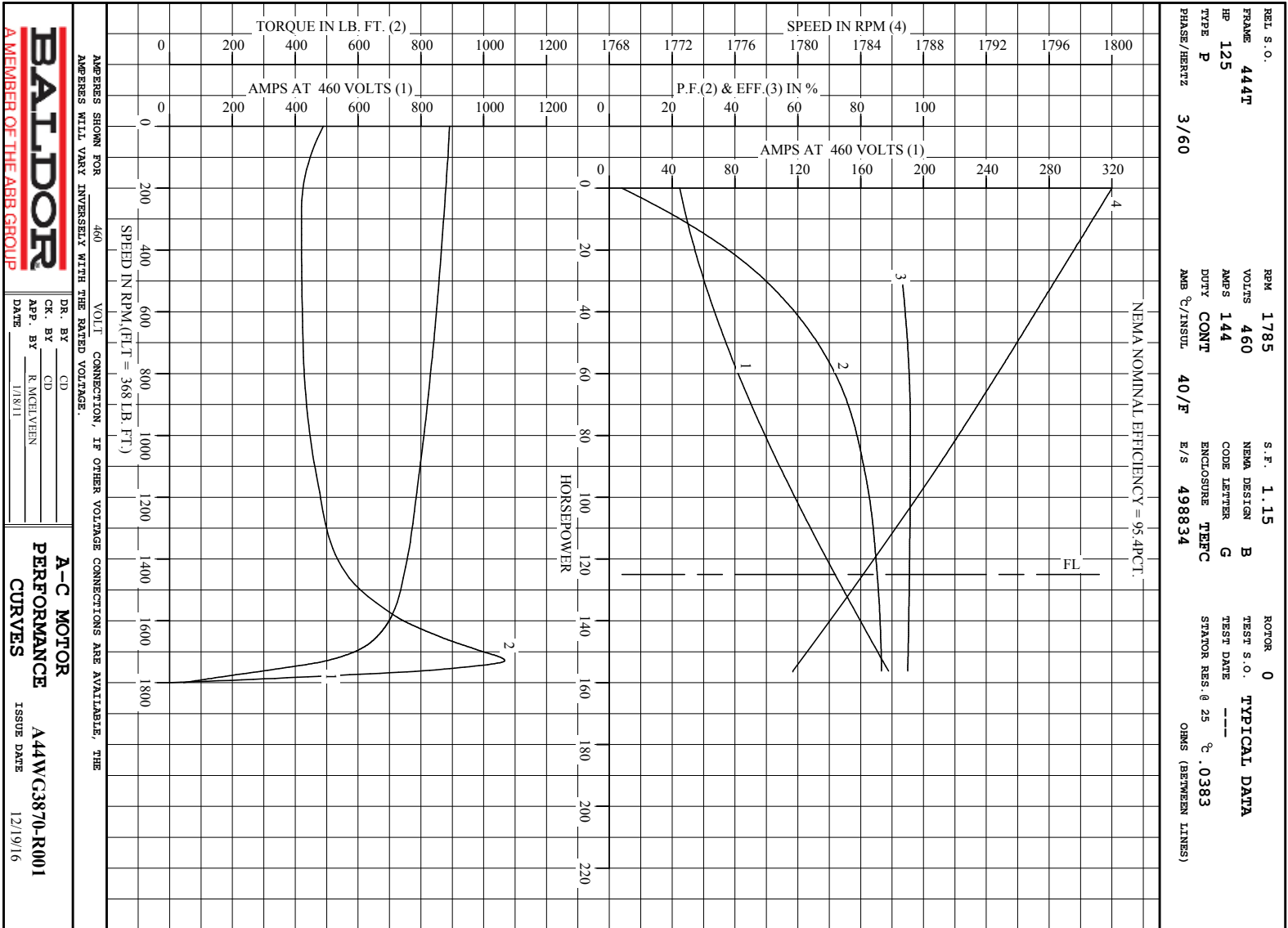
SPEED TORQUE

| | RPM | TORQUE % FULL LOAD | TORQUE LB.-FT. | AMPERES |
|--------------|------|--------------------|----------------|---------|
| LOCKED ROTOR | 0 | 133 | 489 | 892 |
| PULL UP | 270 | 114 | 420 | 875 |
| BREAKDOWN | 1729 | 290 | 1067 | 500 |
| FULL LOAD | 1784 | 100 | 368 | 144 |

AMPERES SHOWN FOR 460. VOLT CONNECTION. IF OTHER VOLTAGE CONNECTIONS ARE AVAILABLE, THE AMPERES WILL VARY INVERSELY WITH THE RATED VOLTAGE

REMARKS: TYPICAL DATA
NEMA NOMINAL EFFICIENCY = 95.4PCT.

| | | | |
|---|--|---|---|
|  <p>A MEMBER OF THE ABB GROUP</p> | DR. BY | CD | <p>A-C MOTOR PERFORMANCE DATA</p> <p>ISSUE DATE 12/19/16</p> |
| | <p>CR. BY R. McELVERN</p> <p>APP. BY 1/18/11</p> | <p>CD</p> <p>R. McELVERN</p> <p>1/18/11</p> | |



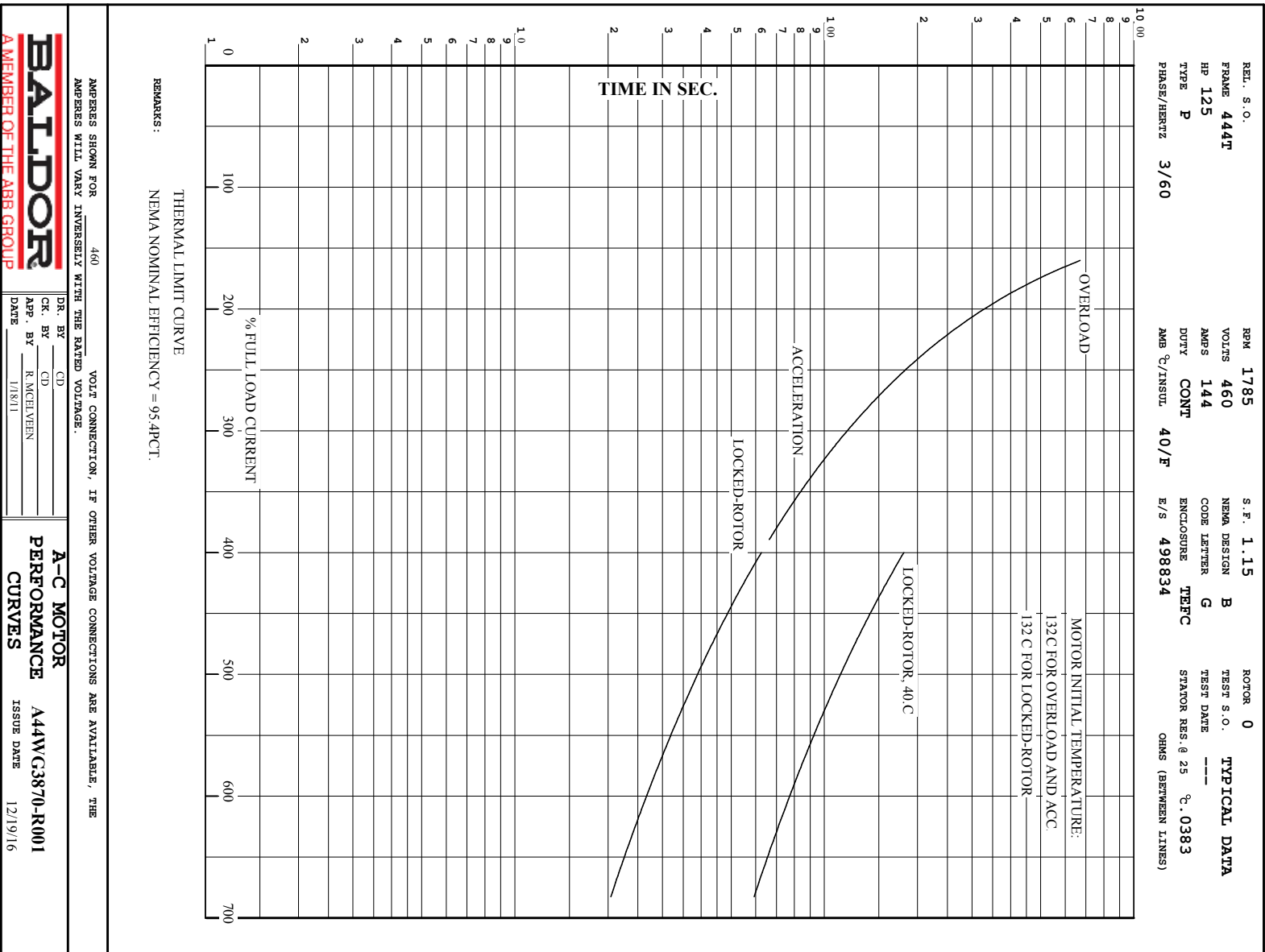
AMPS SHOWN FOR 460 VOLT CONNECTION, IF OTHER VOLTAGE CONNECTIONS ARE AVAILABLE, THE AMPS WILL VARY INVERSELY WITH THE RATED VOLTAGE.

BALDOR
A MEMBER OF THE ABB GROUP

DR. BY _____ CD
 CK. BY _____ CD
 App. BY R. MCELVERN
 DATE 1/18/11

A-C MOTOR PERFORMANCE CURVES A44WC3870-R001
 ISSUE DATE 12/19/16

Printed on 12/19/16 17:17 @ bengap01.baldor.com



617427-001

DUTY MASTER ALTERNATING CURRENT MOTORS

SQUIRREL-CAGE INDUCTION

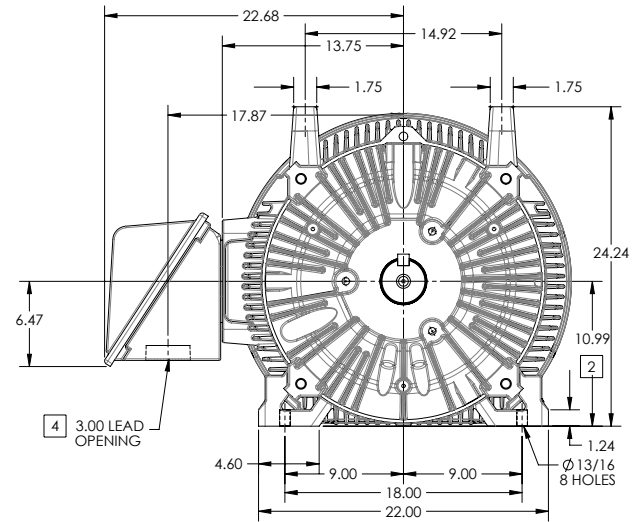
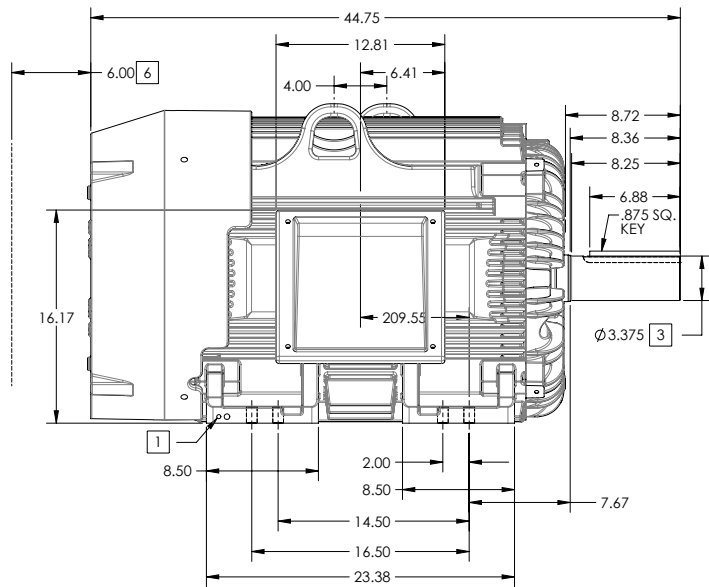
ENCLOSURE: TOTALLY ENCLOSED

FRAME G445T ABOVE NEMA RATINGS

COOLING: FAN COOLED

MOUNTING: FOOT

INCLUDES 444T FRAME MOUNTING HOLES



1. GROUND HOLES QTY 1 1/2-13 TAP; QTY 1 3/8-16 TAP
2. VARIES +.00,-.06
3. VARIES +.00,-.001
4. ON STANDARD MOTORS THIS IS CONDUIT SIZE. ON XT AND CORROSION PROOF MOTOR THIS IS PIPE TAP.
5. MOTOR WEIGHTS MAY VARY BY 15% DEPENDING ON RATING.
6. OBSTRUCTION MUST NOT ENCROACH ON AIR INLET

CONDUIT BOX LOCATED ON OPPOSITE SIDE WHEN F-2.
IF MOUNTING CLEARANCE DETAILS ARE REQUIRED, CONSULT FACTORY.
MAXIMUM PERMISSIBLE SHAFT RUNOUT WHEN MEASURED AT END OF
STANDARD SHAFT EXTENSION IS .003" T.I.R. TO 5 INCH DIA.

[5] WEIGHT (LBS): 2130

DRIVE END AIR DEFLECTOR IS ONLY INCLUDED WHEN NECESSARY.

DIMENSIONS ARE IN INCHES; SEE SHEET 2 FOR DIMENSIONS IN MILLIMETERS

CUSTOMER IS RESPONSIBLE FOR DETERMINING THAT MOTOR PERFORMANCE IS SUITABLE IN THE APPLICATION.

SHEET NUMBER
1 OF 2

100-272119

| | | | |
|--|-------------|------------------------------|------------------|
| REV. DESC SHEET 2 NEEDS METRIC FOOT HOLE DIMENSION | | | |
| REV: E | VERSION: 05 | REVISED: 09-22-56 06/12/2014 | TDR: 00000857938 |
| MODEL NO. 617427-001 | | | REF: |
| BY: RAGRA | Material: | | |

BALDOR

G445T444T STD - FOOTED - SIDE/CENTER CB

617427-001

617427-001

DUTY MASTER ALTERNATING CURRENT MOTORS

SQUIRREL-CAGE INDUCTION

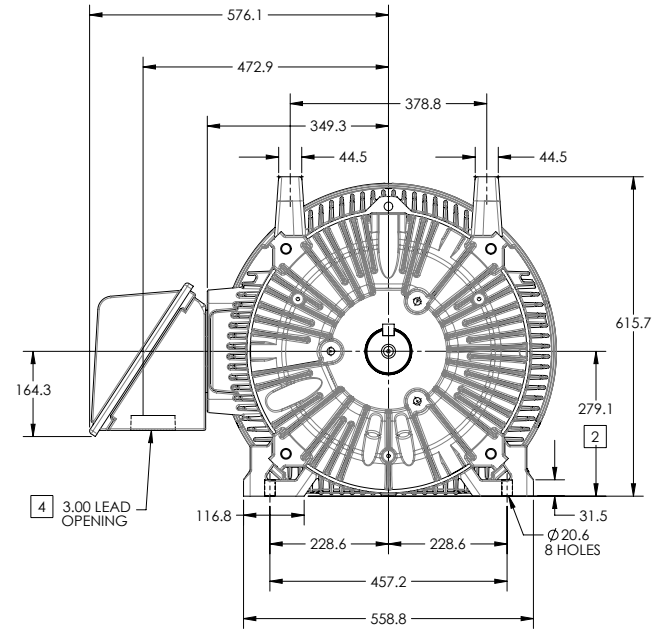
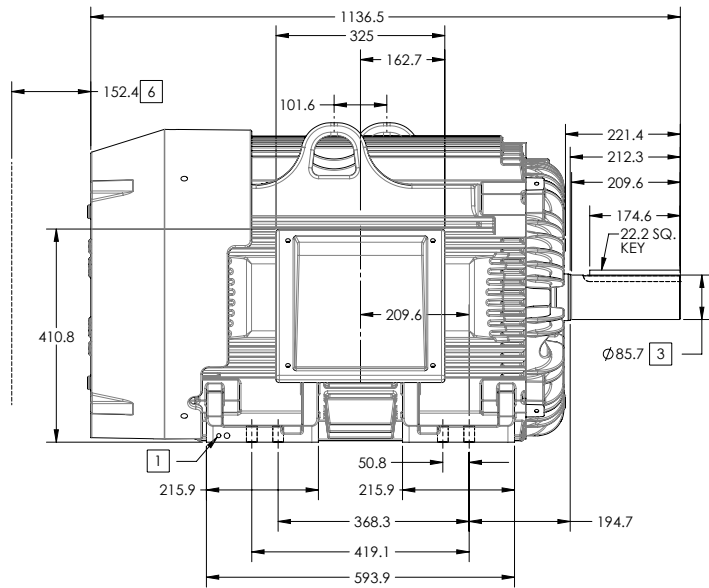
ENCLOSURE: TOTALLY ENCLOSED

FRAME G445T ABOVE NEMA RATINGS

COOLING: FAN COOLED

MOUNTING: FOOT

INCLUDES 444T FRAME MOUNTING HOLES



1. GROUND HOLES QTY 1 1/2-13 TAP; QTY 1 3/8-16 TAP
2. VARIES +0,-1.5
3. VARIES +.00,-.03
4. ON STANDARD MOTORS THIS IS CONDUIT SIZE. ON XT AND CORROSION PROOF MOTOR THIS IS PIPE TAP.
5. MOTOR WEIGHTS MAY VARY BY 15% DEPENDING ON RATING.
6. OBSTRUCTION MUST NOT ENCROACH ON AIR INLET

CONDUIT BOX LOCATED ON OPPOSITE SIDE WHEN F-2.
IF MOUNTING CLEARANCE DETAILS ARE REQUIRED, CONSULT FACTORY.
MAXIMUM PERMISSIBLE SHAFT RUNOUT WHEN MEASURED AT END OF STANDARD SHAFT EXTENSION IS .08 MM T.I.R. TO 127 MM DIA.

[5] WEIGHT (KGS): 970

DRIVE END AIR DEFLECTOR IS ONLY INCLUDED WHEN NECESSARY.

DIMENSIONS ARE IN MILLIMETERS; SEE SHEET 1 FOR DIMENSIONS IN INCHES

CUSTOMER IS RESPONSIBLE FOR DETERMINING THAT MOTOR PERFORMANCE IS SUITABLE IN THE APPLICATION.

SHEET NUMBER
2 OF 2

100-L27219

| | | | |
|--|-------------|------------------------------|------------------|
| REV. DESC SHEET 2 NEEDS METRIC FOOT HOLE DIMENSION | | | |
| REV: E | VERSION: 05 | REVISED: 09-22-56 06/12/2014 | TDR: 00000857938 |
| MODEL NO. 617427-001 | | | REF: |
| BY: RAGRA | Material: | | |

BALDOR

G445T444T STD - FOOTED - SIDE/CENTER CB

617427-001

416820-036

A-C MOTOR
 CONNECTION DIAGRAM
 STANDARD 3 LEAD CONNECTED



(N.P. 1575-BA)

416820-036

| | | |
|--------------------------------------|------------------------------|-------------------|
| REV. DESC: LOADED TO BUS, C/R 335225 | | |
| REV. LTR: - | VERSION: 00 | TDR: 000000538207 |
| FILE: \MGA\00000\682 | REVISED: 11:54:06 04/30/2010 | |
| MTL: - | BY: RAGRA | |

BALDOR

CONN DIAG - STANDARD 3 LEAD

SH 1 of 1