

BALDOR® • RELIANCE

Product Information Packet

EHM2543T-8

50HP, 1775RPM, 3PH, 60HZ, 326T, 4256M, OPSB, F1

Part Detail							
Revision:	N	Status:	PRD/A	Change #:		Proprietary:	No
Type:	AC	Prod. Type:	4256M	Elec. Spec:	42WGW707	CD Diagram:	CD0006
Enclosure:	OPSB	Mfg Plant:		Mech. Spec:	42H068	Layout:	42LYH068
Frame:	326T	Mounting:	F1	Poles:	04	Created Date:	10-07-2010
Base:	RG	Rotation:	R	Insulation:	F	Eff. Date:	12-26-2013
Leads:	3#2					Replaced By:	
Literature:		Elec. Diagram:					

Nameplate NP2094E06B03	
CAT.NO.	EHM2543T-8
SPEC.	42H068W707G1
HP	50
VOLTS	200
AMPS	132
RPM	1775
FRAME	326T
	HZ 60
	PH 3
SER.F.	1.15
	CODE G
	DES B
	CL F
NEMA-NOM-EFF	94.5
	PF 87
RATING	40C AMB-CONT
CC	010A
	USABLE AT 208V
DE	6312
	ODE 6311
AUTO	
	MANUAL
	NONE
ENCL	OPSB
	SN
BLANK	

Parts List		
Part Number	Description	Quantity
SA204667	SA 42H068W707G1	1.000 EA
RA191911	RA 42H068W707G1	1.000 EA
S/P107-000-004	SUPER-E(284 FR. & UP)-CL PLANT,POLYREX E	1.000 EA
HA6360	LIFTING LUG FOR 42 FRAME MOTORS.	2.000 EA
42CB4000A01	CONDUIT BOX 40, STAMPED	1.000 EA
19XW2520A08	SCREW,1/4-20X1/2 TAPTITE-II OR ROLOC 91	2.000 EA
HW1001A25	LOCKWASHER 1/4, ZINC PLT .493 OD, .255 I	2.000 EA
WD1000B16	T&B CX70TN TERMINAL	1.000 EA
42EP3200A01	FR ENDPLATE, MACH 324-6T	1.000 EA
HW5100A13	W4627-047 WVY WSHER	1.000 EA
42EP3200B13	PUEP, MACH FOR 1/2 SH GND MTG	1.000 EA
XY5013A12	NUT,1/2-13,HEX,STEEL,ZINCPLATED	8.000 EA
42CB4500A01	CONDUIT BOX LID 42, STAMPED, W/ PRIMER	1.000 EA
51XF2520A08	SCREW, HEX SER SLT HD, ZN 1/4-20 X .50 L	2.000 EA
HW2501H33	KEY, 1/2 SQ X 3.875	1.000 EA
84XN0540J08	5-40 X 1/2" SHCS, BLACK OXIDE	2.000 EA
MN416A01	TAG-INSTAL-MAINT no wire (1000/bx) 11/14	1.000 EA
HW4500A20	1/8NPT SL PIPE PLUG	2.000 EA
MJ1000A02	GREASE, POLYREX EM EXXON (USe 4824-15A)	0.030 LB
HW4500A20	1/8NPT SL PIPE PLUG	2.000 EA
MG1000G27	MED CHARCOAL METALLIC GREY 400-0096	0.080 GA
HA3151A03	THRUBOLT STUD 1/2-13 X 20.5	4.000 EA
42AD2001A01	BAFFLE PLATE 42 OPEN, SLOTTED BAND MTRS	1.000 EA
42AD2001A01	BAFFLE PLATE 42 OPEN, SLOTTED BAND MTRS	1.000 EA

Parts List (continued)		
Part Number	Description	Quantity
LC0006	CONNECTION LABEL	1.000 EA
NP2094E06B03	NP LABEL W/BARCODE (PREM EFF HVAC MTR)	1.000 EA
40PA1000	PACKAGING GROUP	1.000 EA

AC Induction Motor Performance Data

Record # 35578 - Typical performance - not guaranteed values

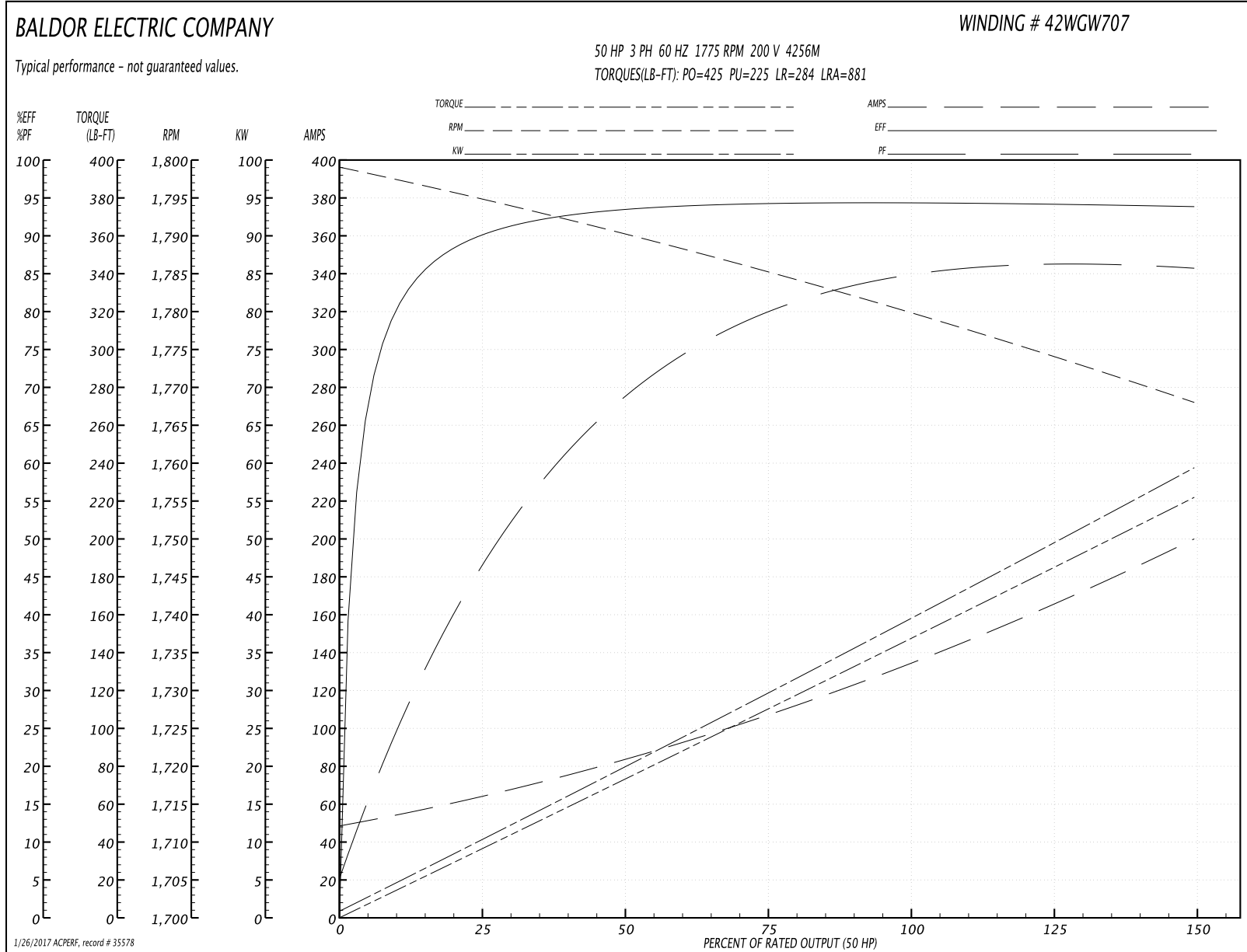
Winding: 42WGW707-R001	Type: 4256M	Enclosure: OPSB
-------------------------------	--------------------	------------------------

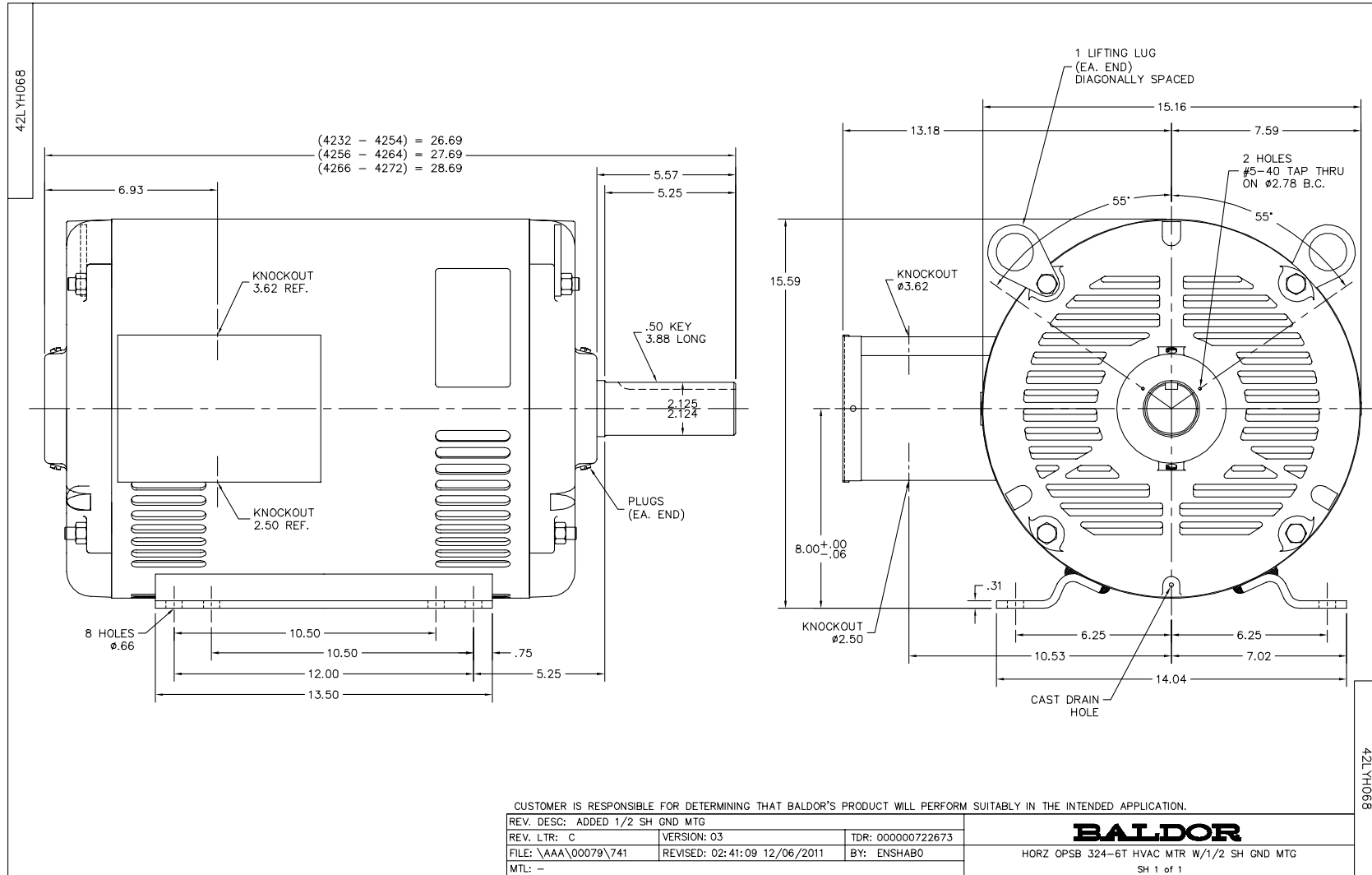
Nameplate Data				200 V, 60 Hz: Single Voltage Motor	
Rated Output (HP)	50			Full Load Torque	148 LB-FT
Volts	200			Start Configuration	direct on line
Full Load Amps	132			Breakdown Torque	425 LB-FT
R.P.M.	1775			Pull-up Torque	225 LB-FT
Hz	60	Phase	3	Locked-rotor Torque	284 LB-FT
NEMA Design Code	B	KVA Code	G	Starting Current	881 A
Service Factor (S.F.)	1.15			No-load Current	48 A
NEMA Nom. Eff.	94.5	Power Factor	87	Line-line Res. @ 25°C	0.0234 Ω
Rating - Duty	40C AMB-CONT			Temp. Rise @ Rated Load	36°C
S.F. Amps				Temp. Rise @ S.F. Load	43°C
				Locked-rotor Power Factor	27
				Rotor inertia	7.46 LB-FT ²

Load Characteristics 200 V, 60 Hz, 50 HP

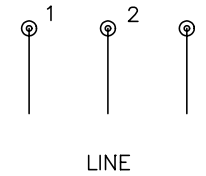
% of Rated Load	25	50	75	100	125	150	S.F.
Power Factor	47	69	79	87	86	86	86
Efficiency	89.8	93.4	94.2	94.5	94.2	93.8	94.3
Speed	1795	1790	1785	1780	1774	1768	1776
Line amperes	65	84	109	132	167	200	153

Performance Graph at 200V, 60Hz, 50.0HP Typical performance - Not guaranteed values





CD0006



NOTES:

1. THREE LEAD MOTOR MAY BE EITHER WYE CONNECTED OR DELTA CONNECTED.
2. INTERCHANGE ANY TWO LINE LEADS TO REVERSE ROTATION.
3. OPTIONAL THERMOSTATS ARE PROVIDED WHEN SPECIFIED.
4. ACTUAL NUMBER OF INTERNAL PARALLEL CIRCUITS MAY VARY.
5. LEAD COLORS ARE OPTIONAL. LEADS MUST BE NUMBERED AS SHOWN.

REV. DESC: REVISE TO SHOW OPTIONAL COLORS			
REV. LTR: D	BY: JLP	REVISED: 01/21/99 4:02	TDR: 0171435
9000D		FILE: AAA00005141	MDL: -
		MTL: -	

BALDOR ELECTRIC Co.

3PH, SV, 3 LEADS, WYE OR DELTA CONNECTED

CD0006