

# **BALDOR**® • ***RELIANCE***

## **Product Information Packet**

# **EM2334T-12**

**20HP,1765RPM,3PH,60HZ,256T,0952M,TEFC,F1**

Part Detail							
Revision:	T	Status:	PRD/A	Change #:		Proprietary:	No
Type:	AC	Prod. Type:	0952M	Elec. Spec:	09WGZ632	CD Diagram:	CD0104
Enclosure:	TEFC	Mfg Plant:		Mech. Spec:	09P11	Layout:	09LYP011
Frame:	256T	Mounting:	F1	Poles:	04	Created Date:	08-03-2010
Base:	RG	Rotation:	R	Insulation:	F	Eff. Date:	01-26-2017
Leads:	12#12					Replaced By:	
Literature:		Elec. Diagram:					

<b>Nameplate NP3441L</b>										
<b>CAT.NO.</b>	EM2334T-12									
<b>SPEC.</b>	09P011Z632									
<b>HP</b>	20									
<b>VOLTS</b>	230/460									
<b>AMP</b>	46/23									
<b>RPM</b>	1765									
<b>FRAME</b>	256T					<b>HZ</b>	60		<b>PH</b>	3
<b>SER.F.</b>	1.15			<b>CODE</b>	H	<b>DES</b>	A		<b>CL</b>	F
<b>NEMA-NOM-EFF</b>	93			<b>PF</b>	85					
<b>RATING</b>	40C AMB-CONT									
<b>CC</b>	010A					<b>USABLE AT 208V</b>				50
<b>DE</b>	6309				<b>ODE</b>	6208				
<b>ENCL</b>	TEFC			<b>SN</b>						
<b>VPWM INVERTER READY</b> CT6-60H(10:1)VT3-60H(20:1)										

Parts List		
Part Number	Description	Quantity
SA202068	SA 09P011Z632	1.000 EA
RA189354	RA 09P011Z632	1.000 EA
09FN3001D01	EXTERNAL FAN, PLASTIC	1.000 EA
HW1002A63	WASHER, 5/8 HI-COLLAR SPRLCKWASHER	1.000 EA
09CB3002	CB W/1.38 LEAD HOLE FOR 37, 39, 307 & 30	1.000 EA
09GS1000	GASKET-CONDUIT BOX, 1/16 THICK LEXIDE	1.000 EA
10XN2520K12	1/4-20 X.75 GRD 5	2.000 EA
WD1000B17	T&B CX35TN TERMINAL	1.000 EA
11XW1032G06	10-32 X .38, TAPTITE II, HEX WSHR SLTD U	1.000 EA
09FE1100A194	FREP 09EP1100A194 FOR PLANT ROUTING	1.000 EA
XY3816A12	3/8-16 FINISHED NUT	4.000 EA
HW1001A38	LOCKWASHER 3/8, ZINC PLT .688 OD, .382 I	4.000 EA
HW5100A08	W3118-035 WVY WSHR (WB)	1.000 EA
10XN2520K28	1/4-20 X 1.75" HX HD SCRWGRADE 5, ZINC P	2.000 EA
HW1001A25	LOCKWASHER 1/4, ZINC PLT .493 OD, .255 I	2.000 EA
09PE1101A136	PUEP ASSEMBLY, 09EP1101A136	1.000 EA
HW4600B44	V-RING SLINGER 1.500 X 1.810 X .28 VITON	1.000 EA
HW1001A25	LOCKWASHER 1/4, ZINC PLT .493 OD, .255 I	2.000 EA
10XN2520K36	1/4-20 X 2.25" HX HD SCRWGRADE 5, ZINC P	4.000 EA
HW1001A25	LOCKWASHER 1/4, ZINC PLT .493 OD, .255 I	4.000 EA
HA3113A02	THRUBOLT 3/8-16 X 16.750	4.000 EA
HW1001A38	LOCKWASHER 3/8, ZINC PLT .688 OD, .382 I	4.000 EA
09FH4000SP	FAN COVER, STAMPED	1.000 EA
HA2081A05	SPACER TUBE, 309 FAN HSG, 2.00 LONG	4.000 EA

Parts List (continued)		
Part Number	Description	Quantity
XY3816A12	3/8-16 FINISHED NUT	4.000 EA
HW1001A38	LOCKWASHER 3/8, ZINC PLT .688 OD, .382 I	4.000 EA
09CB3501	CONDUIT BOX LID FOR 09CB3001 & 09CB3002	1.000 EA
09GS1013	09 GS FOR 09CB3501 LID - LEXIDE	1.000 EA
51XW2520A12	.25-20 X .75, TAPTITE II, HEX WSHR SLTD	2.000 EA
HW2501G25	KEY, 3/8 SQ X 2.875	1.000 EA
LB1115N	LABEL,LIFTING DEVICE (ON ROLLS)	1.000 EA
MN416A01	TAG-INSTAL-MAINT no wire (1000/bx) 11/14	1.000 EA
HA4051A00	PLASTIC CAP FOR GREASE FITTING	1.000 EA
HW4500A03	GREASE FITTING, .125 NPT 1610(ALEMITE) 8	1.000 EA
HW4500A17	317400 ALEMITE GREASE RELIEF	1.000 EA
HA4066A01	PUSH IN T-DRAIN FITTING (BLACK)	1.000 EA
HW4500A17	317400 ALEMITE GREASE RELIEF	1.000 EA
HA4066A01	PUSH IN T-DRAIN FITTING (BLACK)	1.000 EA
HW4500A05	1669B ALEM/UNIV860 GR FTG X	1.000 EA
MJ1000A02	GREASE, POLYREX EM EXXON (USe 4824-15A)	0.080 LB
HA4051A00	PLASTIC CAP FOR GREASE FITTING	1.000 EA
HW2500A25	WOODRUFF KEY USA #1008 #BLOW CARBON STEE	1.000 EA
51XB1214A20	12-14X1.25 HXWSSLD SERTYB	1.000 EA
MG1000Y03	MUNSELL 2.53Y 6.70/ 4.60, GLOSS 20,	0.050 GA
85XU0407S04	4X1/4 U DRIVE PIN STAINLESS	2.000 EA
LB1119N	WARNING LABEL	1.000 EA
LC0104A01	CONNECTION DIAGRAM	1.000 EA
NP3441L	ALUM SUPER-E VPWM INVERTER READY UL	1.000 EA

09PA1000	PACKAGING GROUP COMBINED PRINT	1.000 EA
----------	--------------------------------	----------

**AC Induction Motor Performance Data**

Record # 50256 - Typical performance - not guaranteed values

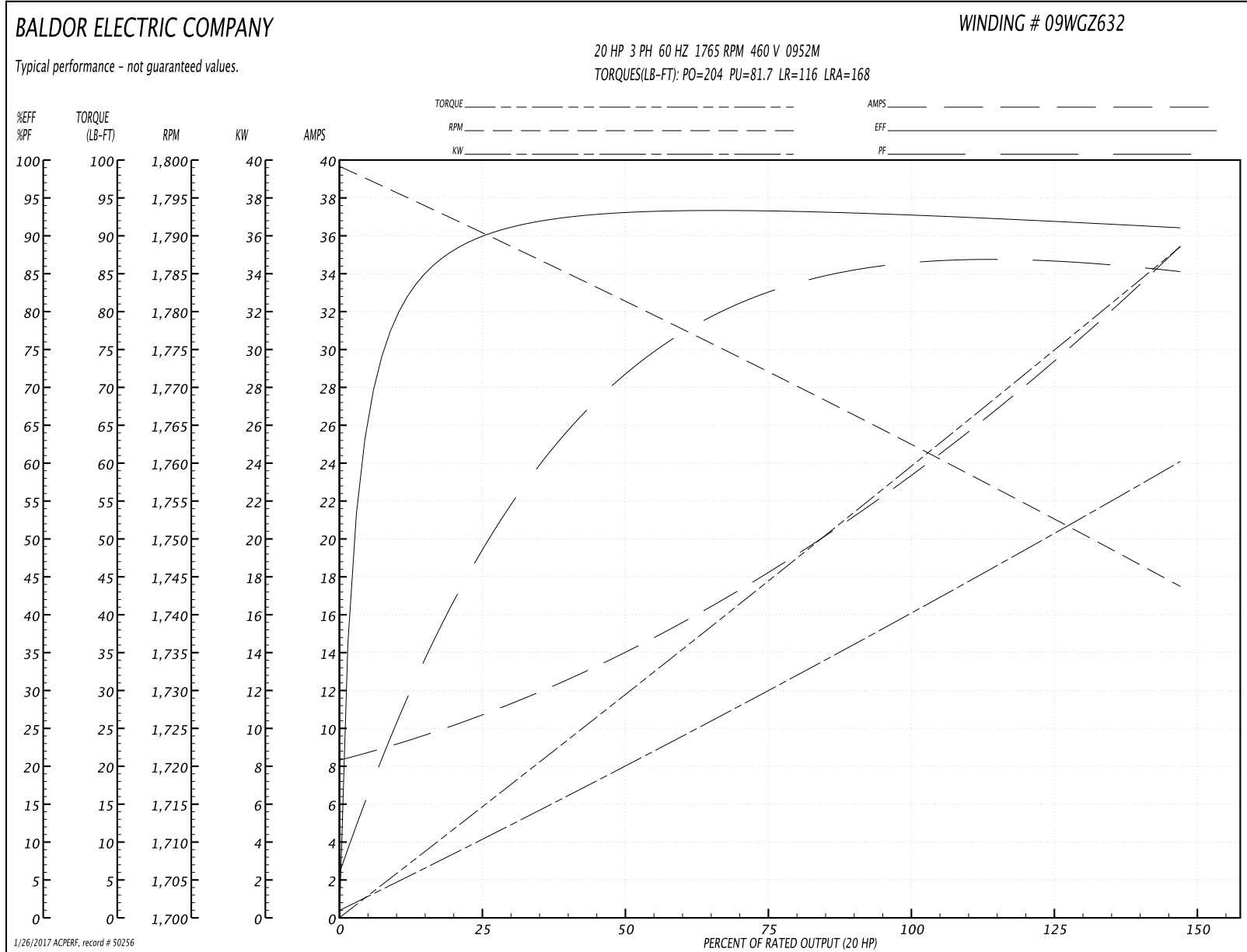
<b>Winding:</b> 09WGZ632-R002	<b>Type:</b> 0952M	<b>Enclosure:</b> TEFC
-------------------------------	--------------------	------------------------

Nameplate Data				460 V, 60 Hz: High Voltage Connection	
Rated Output (HP)	20			Full Load Torque	59 LB-FT
Volts	230/460			Start Configuration	direct on line
Full Load Amps	46/23			Breakdown Torque	204 LB-FT
R.P.M.	1765			Pull-up Torque	81.7 LB-FT
Hz	60	Phase	3	Locked-rotor Torque	116 LB-FT
NEMA Design Code	B	KVA Code	H	Starting Current	168 A
Service Factor (S.F.)	1.15			No-load Current	8.78 A
NEMA Nom. Eff.	93	Power Factor	85	Line-line Res. @ 25°C	0.414 Ω
Rating - Duty	40C AMB-CONT			Temp. Rise @ Rated Load	60°C
S.F. Amps				Temp. Rise @ S.F. Load	74°C
				Locked-rotor Power Factor	33
				Rotor inertia	2.27 LB-FT <sup>2</sup>

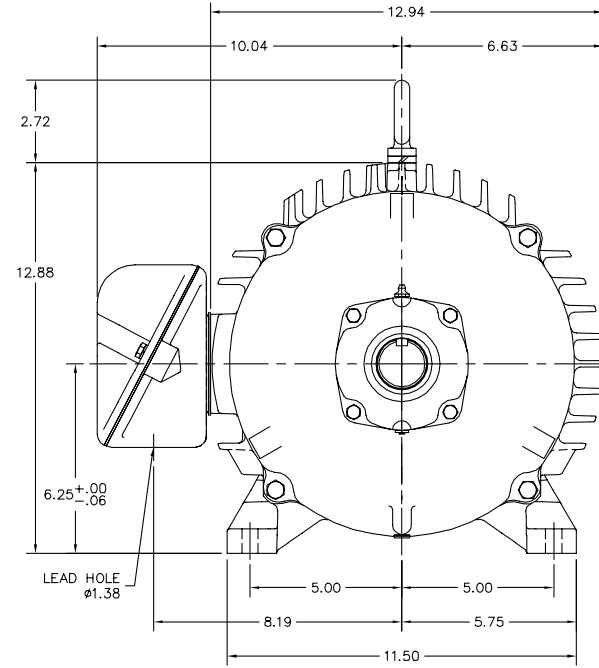
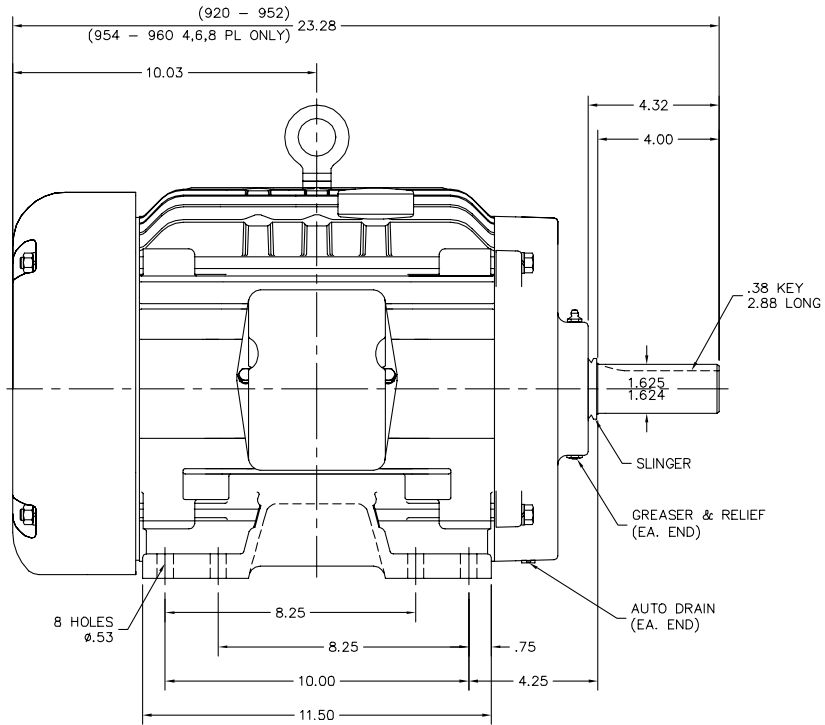
Load Characteristics 460 V, 60 Hz, 20 HP

% of Rated Load	25	50	75	100	125	150	S.F.
Power Factor	52	74	80	85	87	86	86
Efficiency	89.1	92.9	93.2	93	92.1	91	92.5
Speed	1791	1782	1769	1765	1754	1743	1758
Line amperes	10.1	13.6	18.7	23.4	28.9	35.3	26.7

Performance Graph at 460V, 60Hz, 20.0HP Typical performance - Not guaranteed values



09LYP011



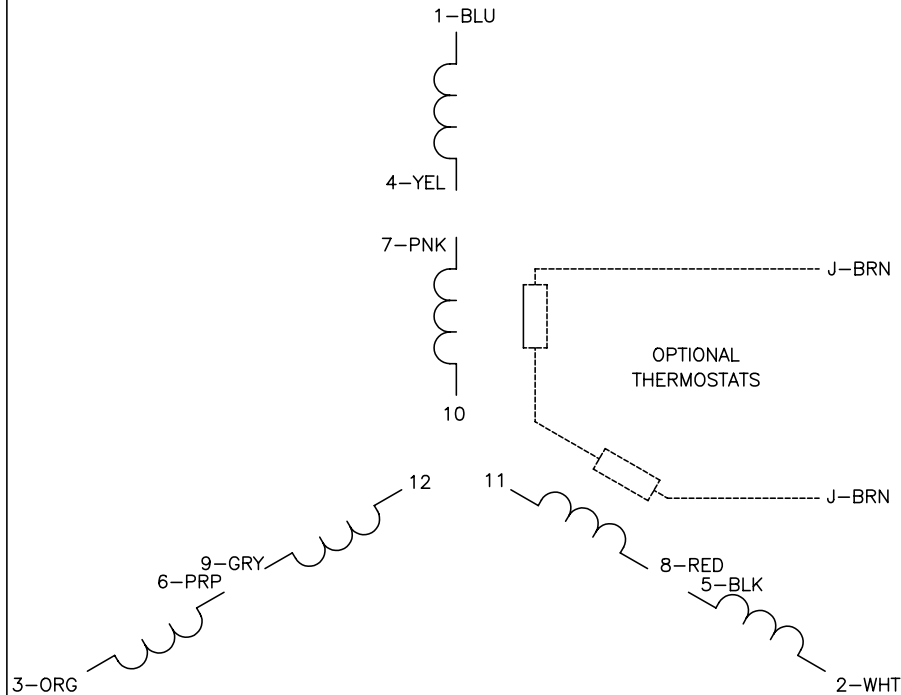
09LYP011

CUSTOMER IS RESPONSIBLE FOR DETERMINING THAT BALDOR'S PRODUCT WILL PERFORM SUITABLY IN THE INTENDED APPLICATION.

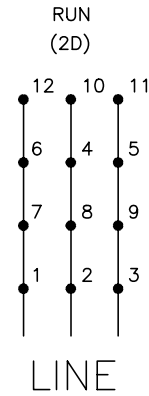
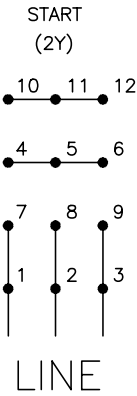
REV. DESC: REMOVE LOCKNUT	VERSION: 06	TDR: 000000952626
REV. LTR: L	REVISED: 01:00:29 11/11/2015	BY: ENMARSO
FILE: \AAA\00026\716		
MTL: -		

**BALDOR**  
HORZ TEFC 254-6T SUPER-E  
SH 1 of 1

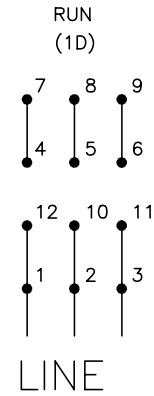
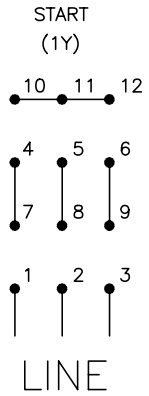
CD0104



**LOW VOLTAGE**



**HIGH VOLTAGE**



NOTES:

1. INTERCHANGE ANY TWO LINE LEADS TO REVERSE ROTATION.
2. OPTIONAL THERMOSTATS ARE PROVIDED WHEN SPECIFIED.
3. ACTUAL NUMBER OF INTERNAL PARALLEL CIRCUITS MAY BE A MULTIPLE OF THOSE SHOWN ABOVE.
4. LEAD COLORS ARE OPTIONAL. LEADS MUST ALWAYS BE NUMBERED AS SHOWN.

REV. DESC: REVISE TO SHOW OPTIONAL COLORS			
REV. LTR: C	BY: JLP	REVISED: 01/19/99 4:24	TDR: 0171435
CD0104		FILE: AAA00008377	MDL: -
		MTL: -	

**BALDOR ELECTRIC Co.**

3PH, DV, 12 LEADS, Y START/D RUN

CD0104

Marketing maintained PDF of MN416:

<http://www.baldor.com/support/Literature/Load.ashx/MN416?ManNumber=MN416>