

# **BALDOR® • RELIANCE**

## **Product Information Packet**

# **EM2513T-58**

**15HP, 1470RPM, 3PH, 50HZ, 254T, 3942M, OPSB, F3**

Part Detail							
Revision:	A	Status:	PRD/A	Change #:		Proprietary:	No
Type:	AC	Prod. Type:	3942M	Elec. Spec:	39WGX907	CD Diagram:	CD0382
Enclosure:	OPSB	Mfg Plant:		Mech. Spec:	39E318	Layout:	39LYE318
Frame:	254T	Mounting:	F3	Poles:	04	Created Date:	04-03-2015
Base:	RG	Rotation:	R	Insulation:	F	Eff. Date:	06-10-2016
Leads:	6#12					Replaced By:	
Literature:		Elec. Diagram:					

Nameplate NP2716L											
CAT NO	EM2513T-58										
SPEC.	39E318X907G1										
HP	15							PH	3		
VOLTS	400										
AMP	22										
RPM	1465										
FRAME	254T				HZ	50			I.P.	23	
SER.F.	1.15		CODE	G		DES	B		CL	F	
NOM.EFF.	91.4						%		(100%)		
PF	81						USABLE AT 208V				
RATING	40C AMB-CONT							CC			
DE BRG	6309				ODE	6208					
ENCL	OPSB		SN								
BLANK	IE3-91.7(75%)90.8(50%)										

Parts List		
Part Number	Description	Quantity
SA296422	SA 39E318X907G1	1.000 EA
RA282462	RA 39E318X907G1	1.000 EA
HA6361A01	LIFTING LUG FOR 37, 39 & 40 FRAME ZINC	2.000 EA
HA6016	ADAPTER, CAST CONDUIT BOX	1.000 EA
09CB3002	CB W/1.38 LEAD HOLE FOR 37, 39, 307 & 30	1.000 EA
51XW2520A12	.25-20 X .75, TAPTITE II, HEX WSHR SLTD	2.000 EA
HW1001A25	LOCKWASHER 1/4, ZINC PLT .493 OD, .255 I	2.000 EA
WD1000B17	T&B CX35TN TERMINAL	1.000 EA
11XW1032G06	10-32 X .38, TAPTITE II, HEX WSHR SLTD U	1.000 EA
HA1101A01	RODENT SCREEN, 39 MTR	1.000 EA
51XW1032A06	10-32 X .38, TAPTITE II, HEX WSHR SLTD S	4.000 EA
39EP3200A01SP	FR/PU ENDPLATE, MACH	1.000 EA
HW5100A08	W3118-035 WVY WSHR (WB)	1.000 EA
39EP3201A13	PU ENDPLATE, MACH	1.000 EA
HA1101A01	RODENT SCREEN, 39 MTR	1.000 EA
51XW1032A06	10-32 X .38, TAPTITE II, HEX WSHR SLTD S	4.000 EA
XY3816A12	3/8-16 FINISHED NUT	8.000 EA
09CB3501	CONDUIT BOX LID FOR 09CB3001 & 09CB3002	1.000 EA
51XW2520A12	.25-20 X .75, TAPTITE II, HEX WSHR SLTD	2.000 EA
HW2501G25	KEY, 3/8 SQ X 2.875	1.000 EA
LB1115N	LABEL,LIFTING DEVICE (ON ROLLS)	1.000 EA
HW4500A03	GREASE FITTING, .125 NPT 1610(ALEMITE) 8	1.000 EA
HW4500A20	1/8NPT SL PIPE PLUG	1.000 EA
HA4051A00	PLASTIC CAP FOR GREASE FITTING	1.000 EA

<b>Parts List (continued)</b>		
<b>Part Number</b>	<b>Description</b>	<b>Quantity</b>
MJ1000A02	GREASE, POLYREX EM EXXON (USe 4824-15A)	0.030 LB
HW4500A03	GREASE FITTING, .125 NPT 1610(ALEMITE) 8	1.000 EA
HW4500A20	1/8NPT SL PIPE PLUG	1.000 EA
HA4051A00	PLASTIC CAP FOR GREASE FITTING	1.000 EA
MG1000Y03	MUNSELL 2.53Y 6.70/ 4.60, GLOSS 20,	0.050 GA
85XU0407S04	4X1/4 U DRIVE PIN STAINLESS	2.000 EA
39AD2002A01	BAFFLE PLATE 39 OPEN, SLOTTED BAND MTRS	1.000 EA
39AD2002A01	BAFFLE PLATE 39 OPEN, SLOTTED BAND MTRS	1.000 EA
HA3154A09	TB STUD 3/8-16 X 16.25	4.000 EA
LB1119N	WARNING LABEL	1.000 EA
LC0382	CONNECTION LABEL	1.000 EA
NP2716L	ALUM SUPER-E NEMA IE3 UL CSA CC CE	1.000 EA
40PA1000	PACKAGING GROUP	1.000 EA
MN416A01	TAG-INSTAL-MAINT no wire (1000/bx) 11/14	1.000 EA

**AC Induction Motor Performance Data**

Record # 49905 - Typical performance - not guaranteed values

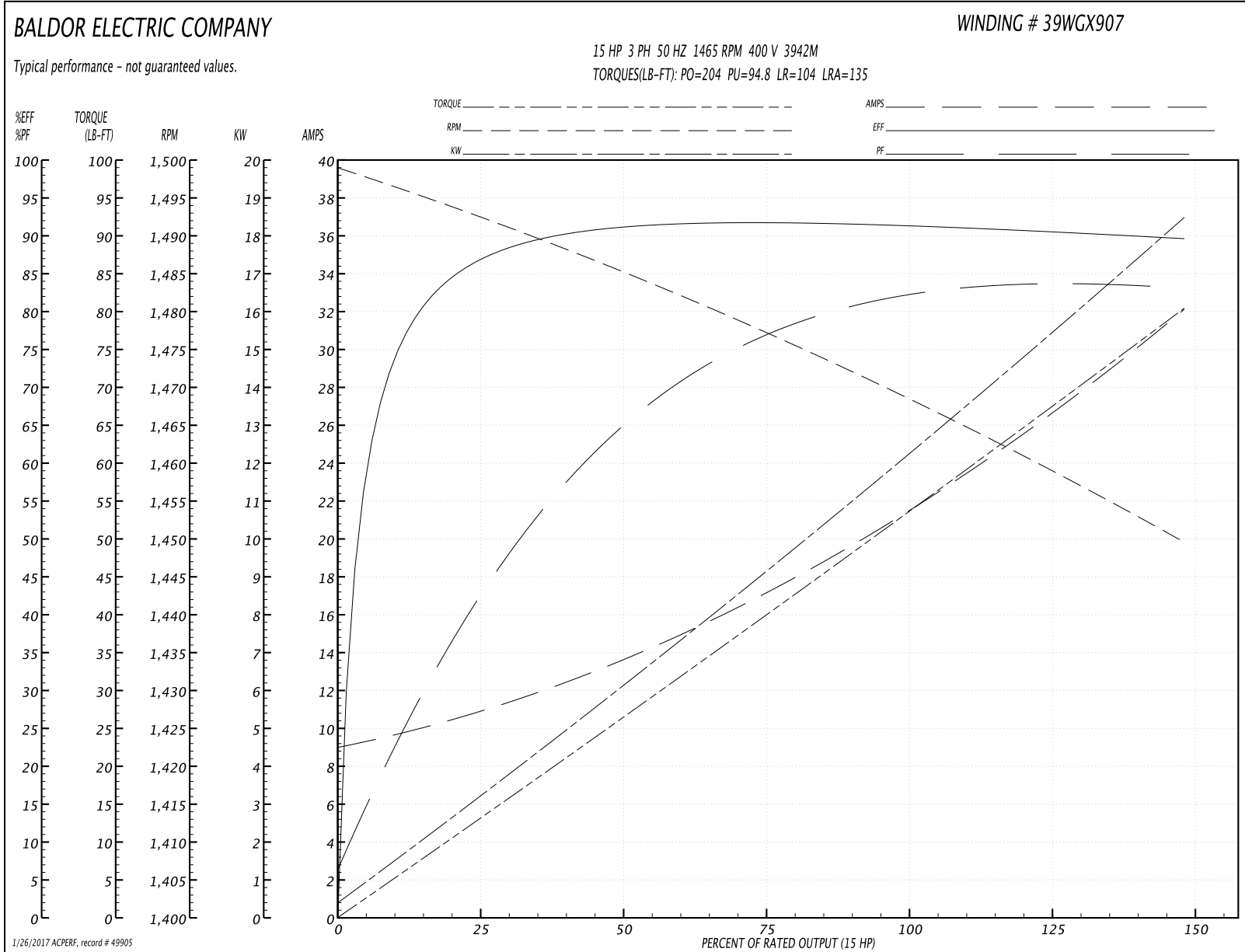
<b>Winding:</b> 39WGX907-R001	<b>Type:</b> 3942M	<b>Enclosure:</b> OPSB
-------------------------------	--------------------	------------------------

Nameplate Data				400 V, 50 Hz: Single Voltage Motor	
Rated Output (HP)	15			Full Load Torque	53.6 LB-FT
Volts	400			Start Configuration	direct on line
Full Load Amps	22			Breakdown Torque	204 LB-FT
R.P.M.	1465			Pull-up Torque	94.8 LB-FT
Hz	50	Phase	3	Locked-rotor Torque	104 LB-FT
NEMA Design Code	B	KVA Code	G	Starting Current	135 A
Service Factor (S.F.)	1.15			No-load Current	9.18 A
NEMA Nom. Eff.	91.4	Power Factor	81	Line-line Res. @ 25°C	0.546 Ω
Rating - Duty	40C AMB-CONT			Temp. Rise @ Rated Load	40°C
S.F. Amps				Temp. Rise @ S.F. Load	49°C
				Locked-rotor Power Factor	37.5
				Rotor inertia	1.84 LB-FT <sup>2</sup>

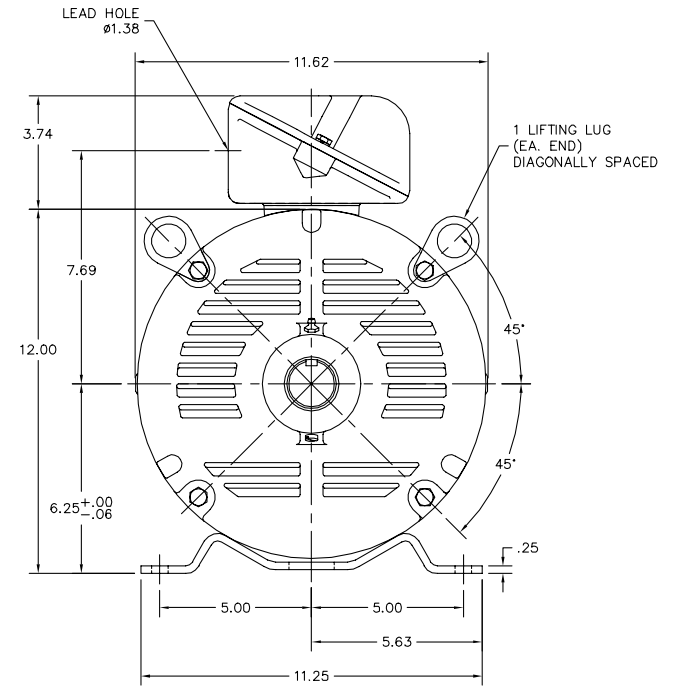
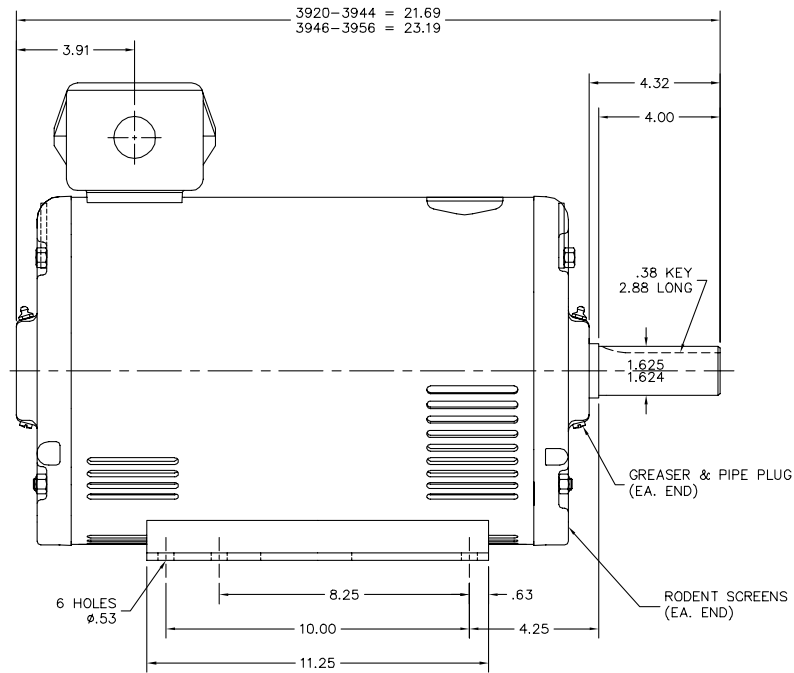
Load Characteristics 400 V, 50 Hz, 15 HP

% of Rated Load	25	50	75	100	125	150	S.F.
Power Factor	44	66	77	81	84	83	81
Efficiency	86.6	90.8	91.7	91.6	90.7	89.5	91.2
Speed	1493	1484	1477	1469	1460	1449	1465
Line amperes	10.7	13.5	17.3	21.8	26.3	32.1	24.8

Performance Graph at 400V, 50Hz, 15.0HP Typical performance - Not guaranteed values



39LYE318



39LYE318

CUSTOMER IS RESPONSIBLE FOR DETERMINING THAT BALDOR'S PRODUCT WILL PERFORM SUITABLY IN THE INTENDED APPLICATION.

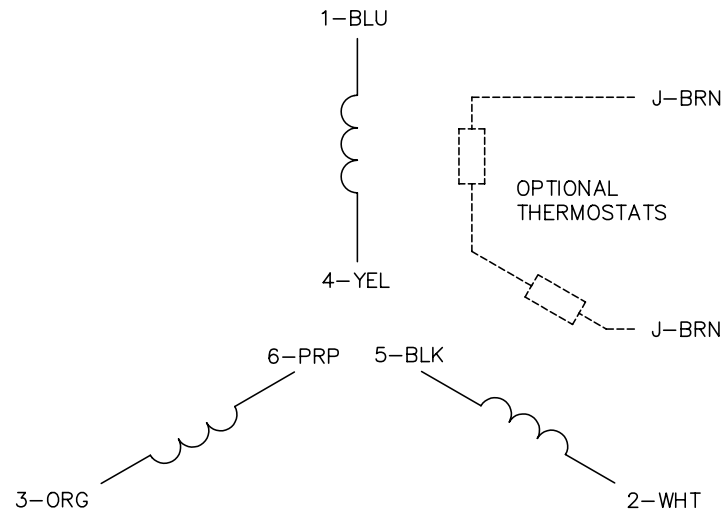
REV. DESC: REMOVED FLOATING LIFTING EYE	VERSION: 02	TDR: 000009B6447
REV. LTR: B	REvised: 02: 41: 34 06/28/2016	BY: ENSHABO
FILE: \AAA\00166\368		
MTL: -		

**BALDOR**

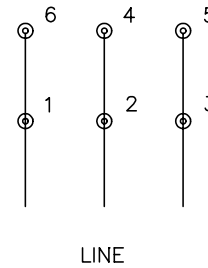
HORZ OPEN 254-6T KBOX AT 12:00 W/ROD SCRNS

SH 1 of 1

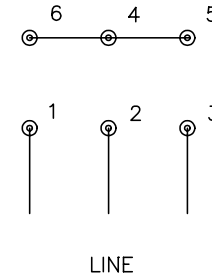
CD0382



RUN CONNECTION  
(1D)



START CONNECTION  
(1Y)



NOTES:

1. INTERCHANGE ANY TWO LINE LEADS TO REVERSE ROTATION.
2. OPTIONAL THERMOSTATS ARE PROVIDED WHEN SPECIFIED.
3. ACTUAL NUMBER OF INTERNAL PARALLEL CIRCUITS MAY BE A MULTIPLE OF THOSE SHOWN ABOVE.
4. LEAD COLORS ARE OPTIONAL. LEADS MUST ALWAYS BE NUMBERED AS SHOWN.
5. FOR ACROSS-THE-LINE STARTING, USE 'RUN' CONNECTION.

REV. DESC: ADD NOTE 5 FOR DOL STARTING			
REV. LTR: E	BY: JLP	REVISED: 11/30/00 2:26	TDR: 0226155
CD0382		FILE: AAA00005243	REF: -
		MTL: -	

**BALDOR ELECTRIC Co.**

3PH, SV, 6 LEADS, Y START/D RUN

CD0382