

# **BALDOR**® • *RELIANCE*

## **Product Information Packet**

# **EM2542T-CI**

**50HP,3540RPM,3PH,60HZ,324TS,1250M,OPEN,F**

Part Detail							
Revision:	G	Status:	PRD/A	Change #:		Proprietary:	No
Type:	AC	Prod. Type:	1250M	Elec. Spec:	12WGY256	CD Diagram:	CD0180
Enclosure:	OPEN	Mfg Plant:		Mech. Spec:	12E01	Layout:	12LYE001
Frame:	324TS	Mounting:	F1	Poles:	02	Created Date:	03-08-2010
Base:	RG	Rotation:	R	Insulation:	F	Eff. Date:	01-05-2017
Leads:	9#8					Replaced By:	
Literature:		Elec. Diagram:					

<b>Nameplate NP3554L</b>										
CAT.NO.	EM2542T-CI		P/N				ENCLOSURE	OPEN		
SPEC.	12E001Y256G1		CC	010A	FRAME	324TS		S/N		
HP	50		CLASS	F	HZ	60				
RPM	3540		PH	3	DES	A				
VOLT	230/460		KVA-CODE	G		ODE BRG	6311		DE BRG	6311
AMP	112/56		USABLE AT 208V	124						
RATING	40C AMB-CONT		NEMA-NOM-EFF	93		GREASE	POLYREX EM			
PF	89	SER.F.	1.15		VPWM INVERTER READY					
HTR-VOLTS			HTR-AMPS			MAX. SPACE HEATER TEMP.				

Parts List		
Part Number	Description	Quantity
SA192018	SA 12E001Y256G1	1.000 EA
RA179672	RA 12E001Y256G1	1.000 EA
S/P107-000-004	SUPER-E(284 FR. & UP)-CL PLANT,POLYREX E	1.000 EA
10CB3000SP	STD KO BOX MODEL 310,312,314 MTRS W/2.00	1.000 EA
10XN3118K12	5/16-18 X .75 GRADE 5, ZINC PLATED	4.000 EA
HW1001A31	LOCKWASHER 5/16, ZINC PLT.591 OD, .319 I	4.000 EA
WD1000B16	T&B CX70TN TERMINAL	1.000 EA
51XF2520A08	SCREW, HEX SER SLT HD, ZN 1/4-20 X .50 L	1.000 EA
12EP1200A04	FR ENDPLATE, MACH	1.000 EA
HA4051A00	PLASTIC CAP FOR GREASE FITTING	1.000 EA
10XN2520K08	1/4-20 X .50 GRADE #5, STL, ZINC PLATE	3.000 EA
10XN2520K08	1/4-20 X .50 GRADE #5, STL, ZINC PLATE	3.000 EA
10XN5013K80	HEX HD , 1/2-13 X 5.00 LGGRADE 5,ZINC PL	4.000 EA
HW1001A50	LOCKWASHER 1/2, ZINC PLT.,.879 OD, .509 I	4.000 EA
HW5100A13	W4627-047 WVY WSHER	1.000 EA
12EP1200A03	ENDPLATE, MACH	1.000 EA
HA4051A00	PLASTIC CAP FOR GREASE FITTING	1.000 EA
10XN3816K44	3/8-16 X 2.75 HEX HD CAP SCREW, GRADE 5	4.000 EA
HW1001A38	LOCKWASHER 3/8, ZINC PLT .688 OD, .382 I	4.000 EA
10XN3816K44	3/8-16 X 2.75 HEX HD CAP SCREW, GRADE 5	4.000 EA
HW1001A38	LOCKWASHER 3/8, ZINC PLT .688 OD, .382 I	4.000 EA
10XN5013K80	HEX HD , 1/2-13 X 5.00 LGGRADE 5,ZINC PL	4.000 EA
HW1001A50	LOCKWASHER 1/2, ZINC PLT.,.879 OD, .509 I	4.000 EA
10CB3500SP	CONDUIT BOX LID, CAST	1.000 EA

<b>Parts List (continued)</b>		
<b>Part Number</b>	<b>Description</b>	<b>Quantity</b>
51XW2520A12	.25-20 X .75, TAPTITE II, HEX WSHR SLTD	4.000 EA
HW2501H18	KEY, 1/2 SQ X 2.000	1.000 EA
LB1115N	LABEL,LIFTING DEVICE (ON ROLLS)	1.000 EA
HW4500A03	GREASE FITTING, .125 NPT 1610(ALEMITE) 8	1.000 EA
HW4500A20	1/8NPT SL PIPE PLUG	1.000 EA
MJ1000A02	GREASE, POLYREX EM EXXON (USe 4824-15A)	0.200 LB
HW4500A03	GREASE FITTING, .125 NPT 1610(ALEMITE) 8	1.000 EA
HW4500A20	1/8NPT SL PIPE PLUG	1.000 EA
MG1000Y03	MUNSELL 2.53Y 6.70/ 4.60, GLOSS 20,	0.080 GA
85XU0407S04	4X1/4 U DRIVE PIN STAINLESS	4.000 EA
MN416A01	TAG-INSTAL-MAINT no wire (1000/bx) 11/14	1.000 EA
12AD2000A01	AIR DEFLECTOR	1.000 EA
12AD2000A01	AIR DEFLECTOR	1.000 EA
LB1119N	WARNING LABEL	1.000 EA
LC0181	CONNECTION LABEL	1.000 EA
NP3554L	SS SUPER-E UL CSA-EEV PREM CC	1.000 EA
12PA1000	PACKAGING GROUP PRINT PK1024A06	1.000 EA

**AC Induction Motor Performance Data**

Record # 52034 - Typical performance - not guaranteed values

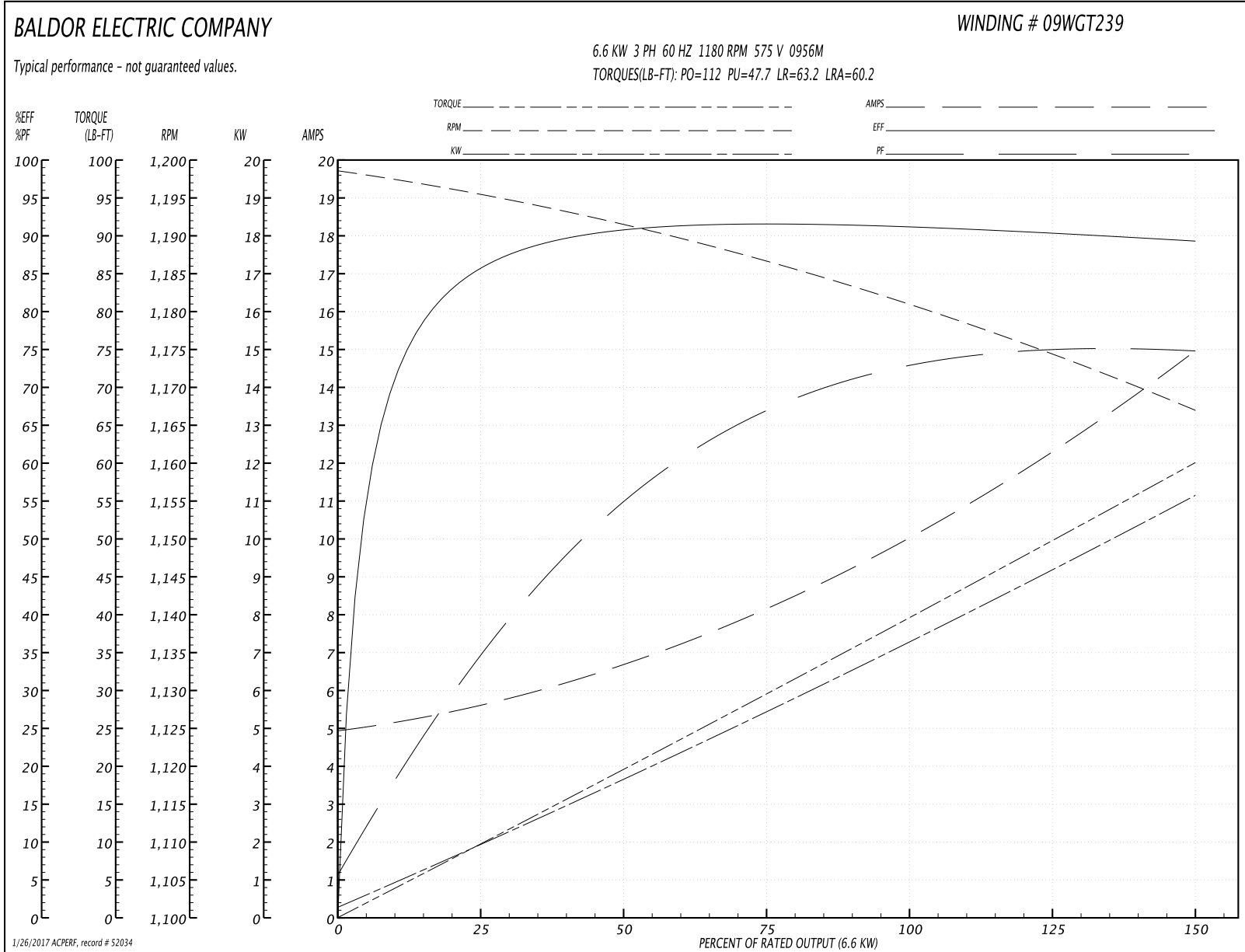
<b>Winding:</b> 09WGT239-R001	<b>Type:</b> 0956M	<b>Enclosure:</b> TEFC
-------------------------------	--------------------	------------------------

Nameplate Data				575 V, 60 Hz: Single Voltage Motor	
Rated Output (KW)	6.6			Full Load Torque	39.3 LB-FT
Volts	575			Start Configuration	direct on line
Full Load Amps	10.1			Breakdown Torque	112 LB-FT
R.P.M.	1180			Pull-up Torque	47.7 LB-FT
Hz	60	Phase	3	Locked-rotor Torque	63.2 LB-FT
NEMA Design Code	A	KVA Code	H	Starting Current	60.2 A
Service Factor (S.F.)	1.15			No-load Current	5.04 A
NEMA Nom. Eff.	91	Power Factor	72	Line-line Res. @ 25°C	1.41 Ω
Rating - Duty	60C AMB-CONT			Temp. Rise @ Rated Load	35°C
S.F. Amps				Temp. Rise @ S.F. Load	42°C
				Locked-rotor Power Factor	26.2
				Rotor inertia	4.5 LB-FT <sup>2</sup>

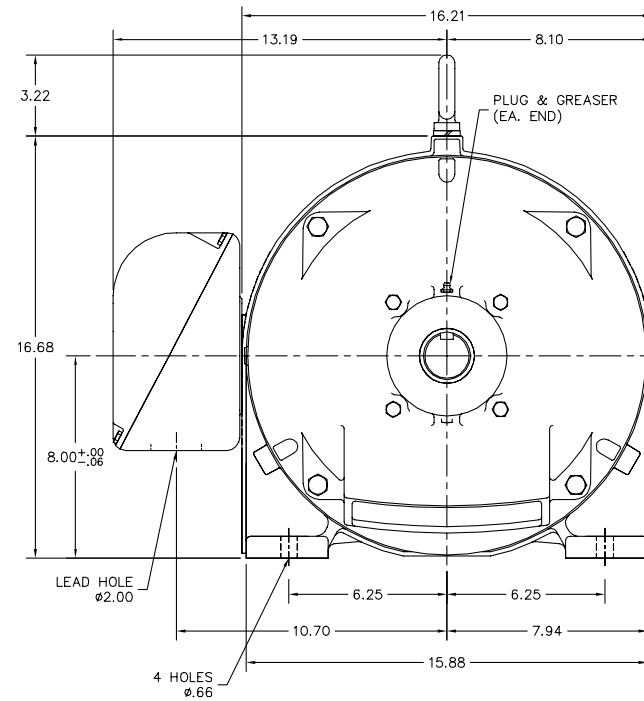
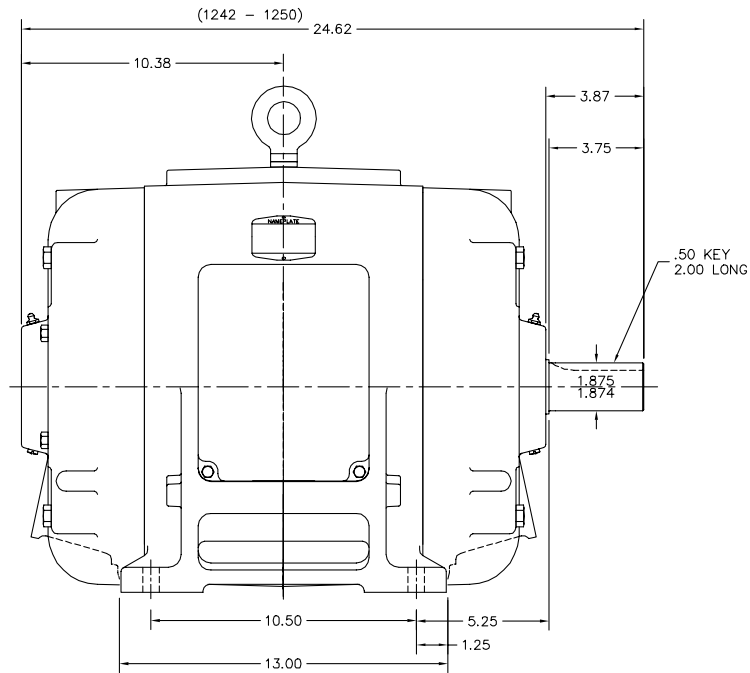
Load Characteristics 575 V, 60 Hz, 6.6 KW

% of Rated Load	25	50	75	100	125	150	S.F.
Power Factor	35	56	66	72	74	75	73
Efficiency	85.1	90.4	91.4	91.6	90.6	89.2	91
Speed	1195	1191	1187	1182	1174	1167	1177
Line amperes	5.46	6.62	8.21	10	12.3	14.9	11.4

Performance Graph at 575V, 60Hz, 6.6KW Typical performance - Not guaranteed values



12LYE001



12LYE001

CUSTOMER IS RESPONSIBLE FOR DETERMINING THAT BALDOR'S PRODUCT WILL PERFORM SUITABLY IN THE INTENDED APPLICATION.

REV. DESC: UPDATED DESCRIPTION		
REV. LTR: F	VERSION: 03	TDR: 000000855727
FILE: \AAA\00048\435	REVISED: 02:59:40 05/29/2014	BY: ENNINDO
MTL: -		

**BALDOR**

HORZ OPEN 324TS  
SH 1 of 1

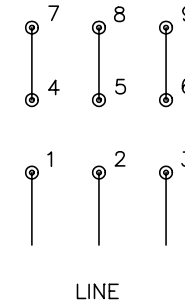
CD0180



LOW VOLTAGE  
(2D)



HIGH VOLTAGE  
(1D)



NOTES:

1. INTERCHANGE ANY TWO LINE LEADS TO REVERSE ROTATION.
2. OPTIONAL THERMOSTATS ARE PROVIDED WHEN SPECIFIED.
3. ACTUAL NUMBER OF INTERNAL PARALLEL CIRCUITS MAY BE A MULTIPLE OF THOSE SHOWN ABOVE.
4. LEAD COLORS ARE OPTIONAL. LEADS MUST ALWAYS BE NUMBERED AS SHOWN.

REV. DESC: REVISE TO SHOW OPTIONAL COLORS			
REV. LTR: C	BY: JLP	REVISED: 01/21/99 2:28	TDR: 0171435
0810D0		FILE: AAA00005148	MDL: -
		MTL: -	

**BALDOR ELECTRIC Co.**

3PH, DV, 9 LEADS, DELTA CONNECTION

CD0180