

BALDOR® • **RELIANCE**

Product Information Packet

EM2543T-CI

50HP, 1775RPM, 3PH, 60HZ, 326T, 1256M, OPEN, F1

Part Detail							
Revision:	R	Status:	PRD/A	Change #:		Proprietary:	No
Type:	AC	Prod. Type:	1256M	Elec. Spec:	12WGX320	CD Diagram:	CD0180
Enclosure:	OPEN	Mfg Plant:		Mech. Spec:	12D01	Layout:	12LYD001
Frame:	326T	Mounting:	F1	Poles:	04	Created Date:	
Base:	RG	Rotation:	R	Insulation:	F	Eff. Date:	09-06-2016
Leads:	9#8					Replaced By:	
Literature:		Elec. Diagram:					

Nameplate NP3554L													
CAT.NO.	EM2543T-CI			P/N				ENCLOSURE	OPEN				
SPEC.	12D001X320G1		CC	010A		FRAME	326T		S/N				
HP	50			CLASS	F		HZ	60					
RPM	1775			PH	3		DES	A					
VOLT	230/460			KVA-CODE	G		ODE BRG	6311		DE BRG	6311		
AMP	120/60			USABLE AT 208V				126					
RATING	40C AMB-CONT			NEMA-NOM-EFF				94.5		GREASE		POLYREX EM	
PF	83		SER.F.	1.15		VPWM INVERTER READY							
HTR-VOLTS			HTR-AMPS			MAX. SPACE HEATER TEMP.							

Parts List		
Part Number	Description	Quantity
SA067474	SA 12D001X320G1	1.000 EA
RA061509	RA 12D001X320G1	1.000 EA
10CB3000SP	STD KO BOX MODEL 310,312,314 MTRS W/2.00	1.000 EA
10XN3118K12	5/16-18 X .75 GRADE 5, ZINC PLATED	4.000 EA
HW1001A31	LOCKWASHER 5/16, ZINC PLT.591 OD, .319 I	4.000 EA
WD1000B16	T&B CX70TN TERMINAL	1.000 EA
51XF2520A08	SCREW, HEX SER SLT HD, ZN 1/4-20 X .50 L	1.000 EA
12EP1200A04	FR ENDPLATE, MACH	1.000 EA
10XN2520K08	1/4-20 X .50 GRADE #5, STL, ZINC PLATE	3.000 EA
HA4051A00	PLASTIC CAP FOR GREASE FITTING	1.000 EA
10XN5013K80	HEX HD , 1/2-13 X 5.00 LGGRADE 5,ZINC PL	4.000 EA
HW1001A50	LOCKWASHER 1/2, ZINC PLT.,879 OD, .509 I	4.000 EA
HW5100A13	W4627-047 WVY WSHER	1.000 EA
12EP1200A03	ENDPLATE, MACH	1.000 EA
10XN2520K08	1/4-20 X .50 GRADE #5, STL, ZINC PLATE	3.000 EA
HA4051A00	PLASTIC CAP FOR GREASE FITTING	1.000 EA
10XN3816K44	3/8-16 X 2.75 HEX HD CAP SCREW, GRADE 5	4.000 EA
HW1001A38	LOCKWASHER 3/8, ZINC PLT .688 OD, .382 I	4.000 EA
10XN3816K44	3/8-16 X 2.75 HEX HD CAP SCREW, GRADE 5	4.000 EA
HW1001A38	LOCKWASHER 3/8, ZINC PLT .688 OD, .382 I	4.000 EA
10XN5013K80	HEX HD , 1/2-13 X 5.00 LGGRADE 5,ZINC PL	4.000 EA
HW1001A50	LOCKWASHER 1/2, ZINC PLT.,879 OD, .509 I	4.000 EA
10CB3500SP	CONDUIT BOX LID, CAST	1.000 EA
51XW2520A12	.25-20 X .75, TAPTITE II, HEX WSHR SLTD	4.000 EA

Parts List (continued)		
Part Number	Description	Quantity
HW2501H33	KEY, 1/2 SQ X 3.875	1.000 EA
LB1115N	LABEL,LIFTING DEVICE (ON ROLLS)	1.000 EA
HW4500A03	GREASE FITTING, .125 NPT 1610(ALEMITE) 8	1.000 EA
HW4500A20	1/8NPT SL PIPE PLUG	1.000 EA
MJ1000A02	GREASE, POLYREX EM EXXON (USe 4824-15A)	0.200 LB
HW4500A03	GREASE FITTING, .125 NPT 1610(ALEMITE) 8	1.000 EA
HW4500A20	1/8NPT SL PIPE PLUG	1.000 EA
MN416A01	TAG-INSTAL-MAINT no wire (1000/bx) 11/14	1.000 EA
S/P107-000-004	SUPER-E(284 FR. & UP)-CL PLANT,POLYREX E	1.000 EA
MG1000Y03	MUNSELL 2.53Y 6.70/ 4.60, GLOSS 20,	0.080 GA
85XU0407S04	4X1/4 U DRIVE PIN STAINLESS	4.000 EA
12AD2000A01	AIR DEFLECTOR	1.000 EA
12AD2000A01	AIR DEFLECTOR	1.000 EA
LB1119N	WARNING LABEL	1.000 EA
LC0181	CONNECTION LABEL	1.000 EA
NP3554L	SS SUPER-E UL CSA-EEV PREM CC	1.000 EA
12PA1000	PACKAGING GROUP PRINT PK1024A06	1.000 EA

AC Induction Motor Performance Data

Record # 56462 - Typical performance - not guaranteed values

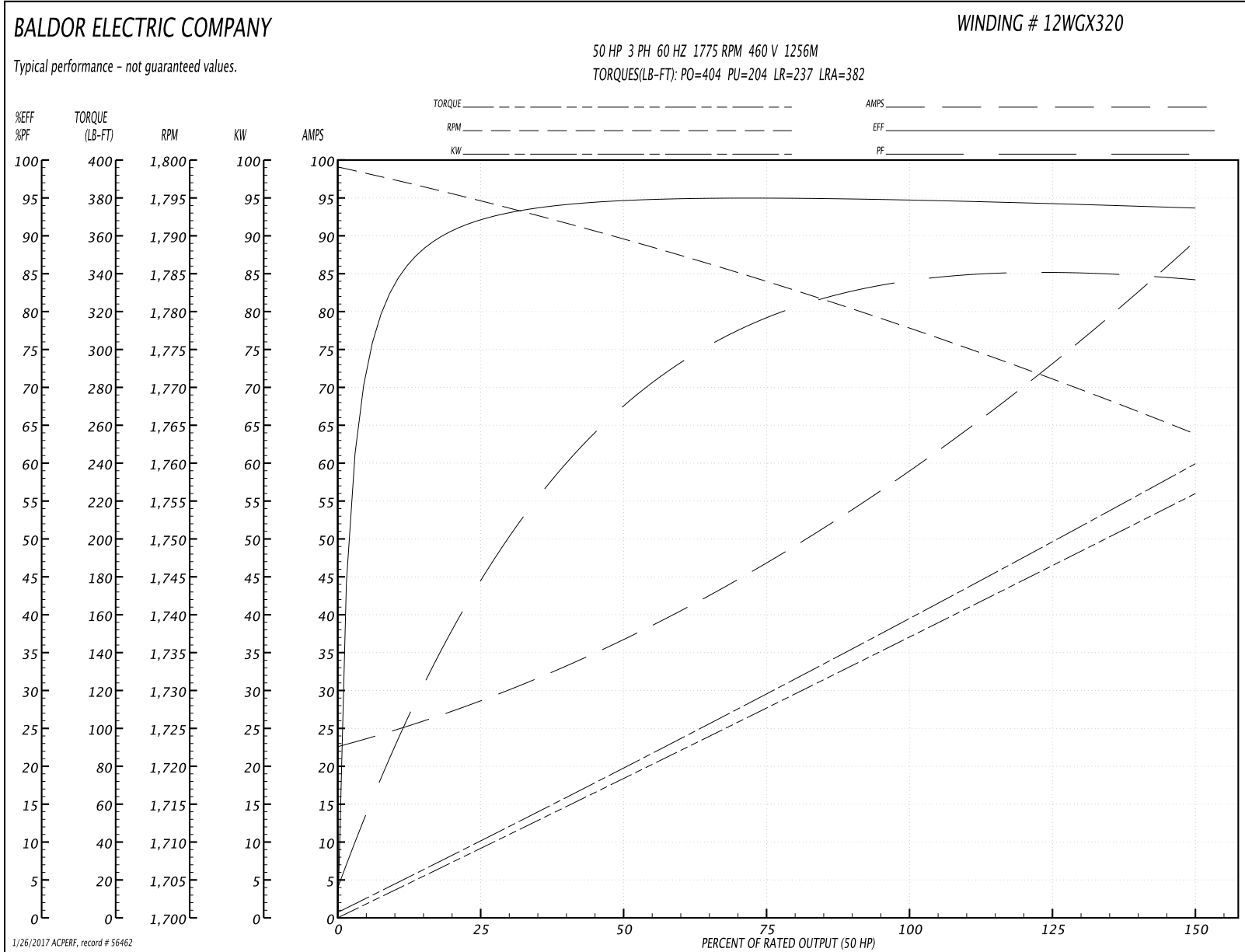
Winding: 12WGX320-R001	Type: 1256M	Enclosure: OPEN
-------------------------------	--------------------	------------------------

Nameplate Data				460 V, 60 Hz: High Voltage Connection	
Rated Output (HP)	50			Full Load Torque	148 LB-FT
Volts	230/460			Start Configuration	direct on line
Full Load Amps	120/60			Breakdown Torque	404 LB-FT
R.P.M.	1775			Pull-up Torque	204 LB-FT
Hz	60	Phase	3	Locked-rotor Torque	237 LB-FT
NEMA Design Code	A	KVA Code	G	Starting Current	382 A
Service Factor (S.F.)	1.15			No-load Current	23.6 A
NEMA Nom. Eff.	94.5	Power Factor	83	Line-line Res. @ 25°C	0.13209 Ω
Rating - Duty	40C AMB-CONT			Temp. Rise @ Rated Load	41°C
S.F. Amps				Temp. Rise @ S.F. Load	50°C
				Locked-rotor Power Factor	27.1

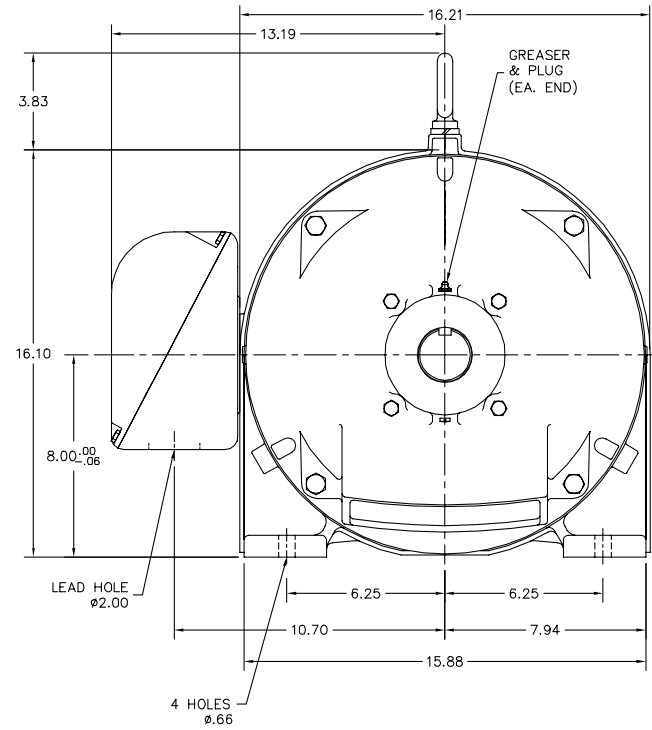
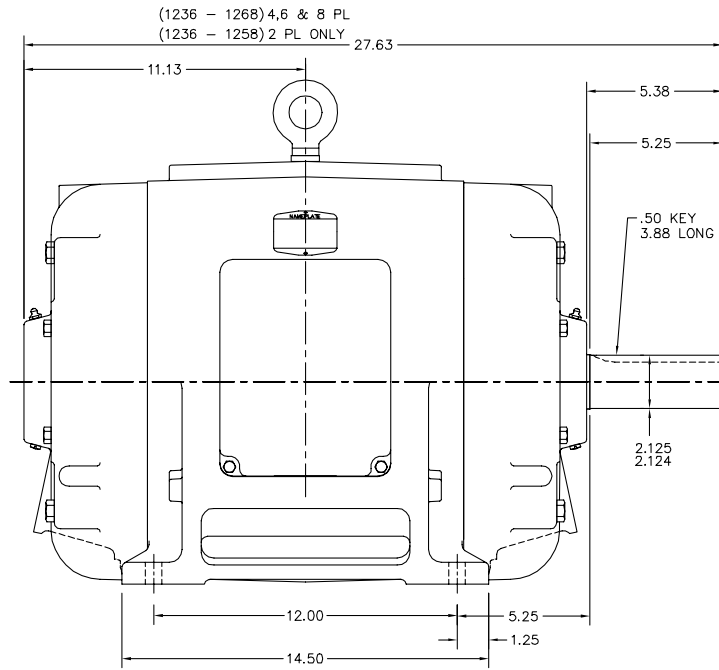
Load Characteristics 460 V, 60 Hz, 50 HP

% of Rated Load	25	50	75	100	125	150	S.F.
Power Factor	47	69	79	83	85	85	84
Efficiency	92.1	94.8	95.1	94.8	94.3	93.5	94.5
Speed	1794.9	1789.6	1784.2	1777.7	1771.1	1764	1774
Line amperes	27.4	35.9	47	59.6	73.4	88.6	67.9

Performance Graph at 460V, 60Hz, 50.0HP Typical performance - Not guaranteed values



12LYD001



12LYD001

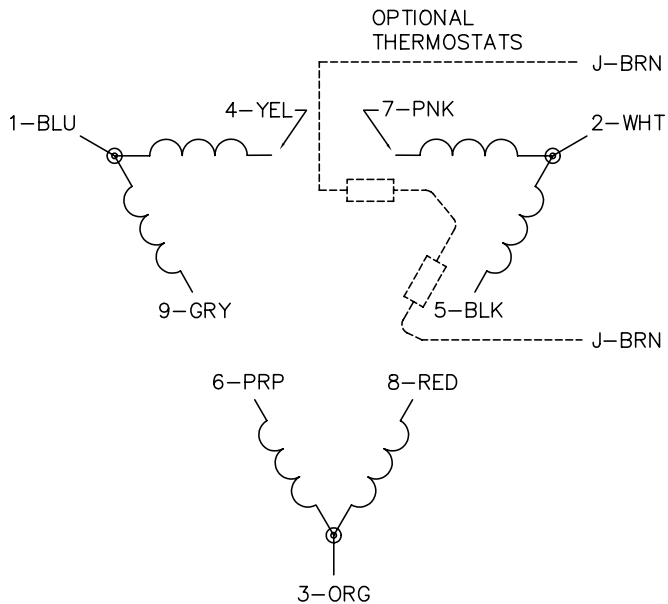
CUSTOMER IS RESPONSIBLE FOR DETERMINING THAT BALDOR'S PRODUCT WILL PERFORM SUITABLY IN THE INTENDED APPLICATION.

REV. DESC: ADDED MISSING DIMENSION		
REV. LTR: N	VERSION: 06	TDR: 000000858752
FILE: \AAA\00002\483	REVISED: 02:12:59 06/18/2014	BY: ENNINDO
MTL: -		

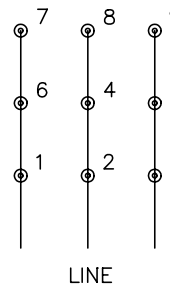
BALDOR

HORZ OPEN 326T
 SH 1 of 1

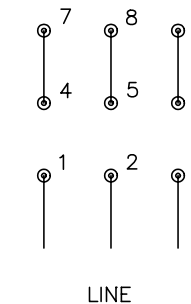
CD0180



LOW VOLTAGE
(2D)



HIGH VOLTAGE
(1D)



NOTES:

1. INTERCHANGE ANY TWO LINE LEADS TO REVERSE ROTATION.
2. OPTIONAL THERMOSTATS ARE PROVIDED WHEN SPECIFIED.
3. ACTUAL NUMBER OF INTERNAL PARALLEL CIRCUITS MAY BE A MULTIPLE OF THOSE SHOWN ABOVE.
4. LEAD COLORS ARE OPTIONAL. LEADS MUST ALWAYS BE NUMBERED AS SHOWN.

REV. DESC: REVISE TO SHOW OPTIONAL COLORS			
REV. LTR: C	BY: JLP	REVISED: 01/21/99 2:28	TDR: 0171435
0810D0		FILE: AAA00005148	MDL: -
		MTL: -	

BALDOR ELECTRIC Co.

3PH, DV, 9 LEADS, DELTA CONNECTION

CD0180