

# **BALDOR**® • ***RELIANCE***

## **Product Information Packet**

# **EM3219T-8**

**7.5HP,3450RPM,3PH,60HZ,184T,3632M,OPSB,F**

Part Detail							
Revision:	E	Status:	PRD/A	Change #:		Proprietary:	No
Type:	AC	Prod. Type:	3632M	Elec. Spec:	36WGS856	CD Diagram:	CD0006
Enclosure:	OPSB	Mfg Plant:		Mech. Spec:	36B101	Layout:	36LYB101
Frame:	184T	Mounting:	F1	Poles:	02	Created Date:	08-04-2015
Base:	RG	Rotation:	R	Insulation:	F	Eff. Date:	11-09-2016
Leads:	3#12					Replaced By:	
Literature:		Elec. Diagram:					

<b>Nameplate NP3553L</b>										
<b>CAT.NO.</b>	EM3219T-8									
<b>SPEC.</b>	36B101S856G3									
<b>HP</b>	7.5									
<b>VOLTS</b>	200									
<b>AMP</b>	20									
<b>RPM</b>	3450									
<b>FRAME</b>	184T				<b>HZ</b>	60			<b>PH</b>	3
<b>SER.F.</b>	1.15		<b>CODE</b>	L	<b>DES</b>	A		<b>CL</b>	F	
<b>NEMA-NOM-EFF</b>	88.5		<b>PF</b>	91						
<b>RATING</b>	40C AMB-CONT									
<b>CC</b>	010A				<b>USABLE AT 208V</b>					
<b>DE</b>	6206				<b>ODE</b>	6205				
<b>ENCL</b>	OPSB		<b>SN</b>							
<b>VPWM INVERTER READY</b>										
<b>CT30-60(2:1) VT3-60(20:1)</b>										

Parts List		
Part Number	Description	Quantity
SA305031	SA 36B101S856G3	1.000 EA
RA292223	RA 36B101S856G3	1.000 EA
36CB3004	36 CB CASTING W/1.09 DIA LEAD HOLE @ 6:0	1.000 EA
51XB1016A08	10-16X 1/2HXWSSLD SERTYB	2.000 EA
11XW1032G06	10-32 X .38, TAPTITE II, HEX WSHR SLTD U	1.000 EA
HW3001B01	BRASS CUP WASHER, FOR #8 SCREW	1.000 EA
36EP3200A01	FR ENDPLATE, ASSEMBLY FOR ROUTING	1.000 EA
HW4500A01	1641B(ALEMITE)400 UNIV, GREASE FITT	1.000 EA
HW5100A05	WVY WSHR F/205 & 304 BRGS	1.000 EA
36PE3201A01	PU ENDPLATE, ASSEMBLY FOR ROUTING	1.000 EA
HW4500A01	1641B(ALEMITE)400 UNIV, GREASE FITT	1.000 EA
XY2520A12	1/4-20 HEX NUT, DIRECTIONAL SERRATIONS	4.000 EA
36CB4516	36 LIPPED CB LID	1.000 EA
51XW0832A07	8-32 X .44, TAPTITE II, HEX WSHR SLTD SE	4.000 EA
HW2501E16	3KEY, 1/4 SQ X 1.750	1.000 EA
HA7000A02	KEY RETAINER RING, 1 1/8 DIA, 1 3/8 DIA	1.000 EA
85XU0407S04	4X1/4 U DRIVE PIN STAINLESS	2.000 EA
MJ1000A02	GREASE, POLYREX EM EXXON (USe 4824-15A)	0.050 LB
MG1000Y03	MUNSELL 2.53Y 6.70/ 4.60, GLOSS 20,	0.022 GA
HA3101A25	THRUBOLT 1/4-20 X 11.000 OHIO ROD	4.000 EA
36AD2004A01	BAFFLE PLATE,MOD 36-SLTD BAND MTRS DELTA	2.000 EA
LB1119N	WARNING LABEL	1.000 EA
LC0006	CONNECTION LABEL	1.000 EA
NP3553L	ALUM SUPER-E VPWM INVERTER READY UL	1.000 EA

<b>Parts List (continued)</b>		
<b>Part Number</b>	<b>Description</b>	<b>Quantity</b>
36PA1000	PKG GRP, PRINT PK1016A06	1.000 EA
MN416A01	TAG-INSTAL-MAINT no wire (1000/bx) 11/14	1.000 EA

**AC Induction Motor Performance Data**

Record # 52211 - Typical performance - not guaranteed values

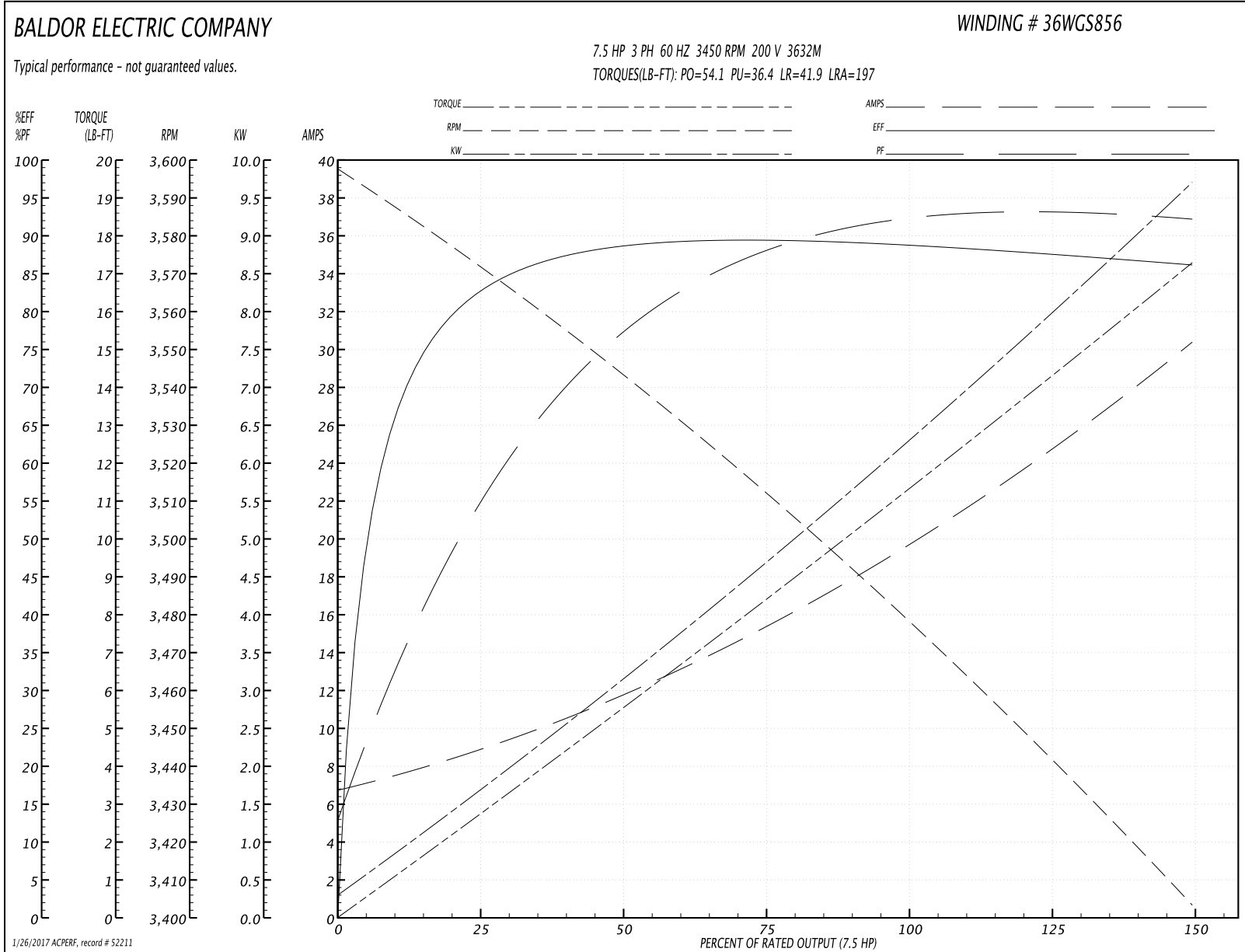
<b>Winding:</b> 36WGS856-R001	<b>Type:</b> 3632M	<b>Enclosure:</b> OPSB
-------------------------------	--------------------	------------------------

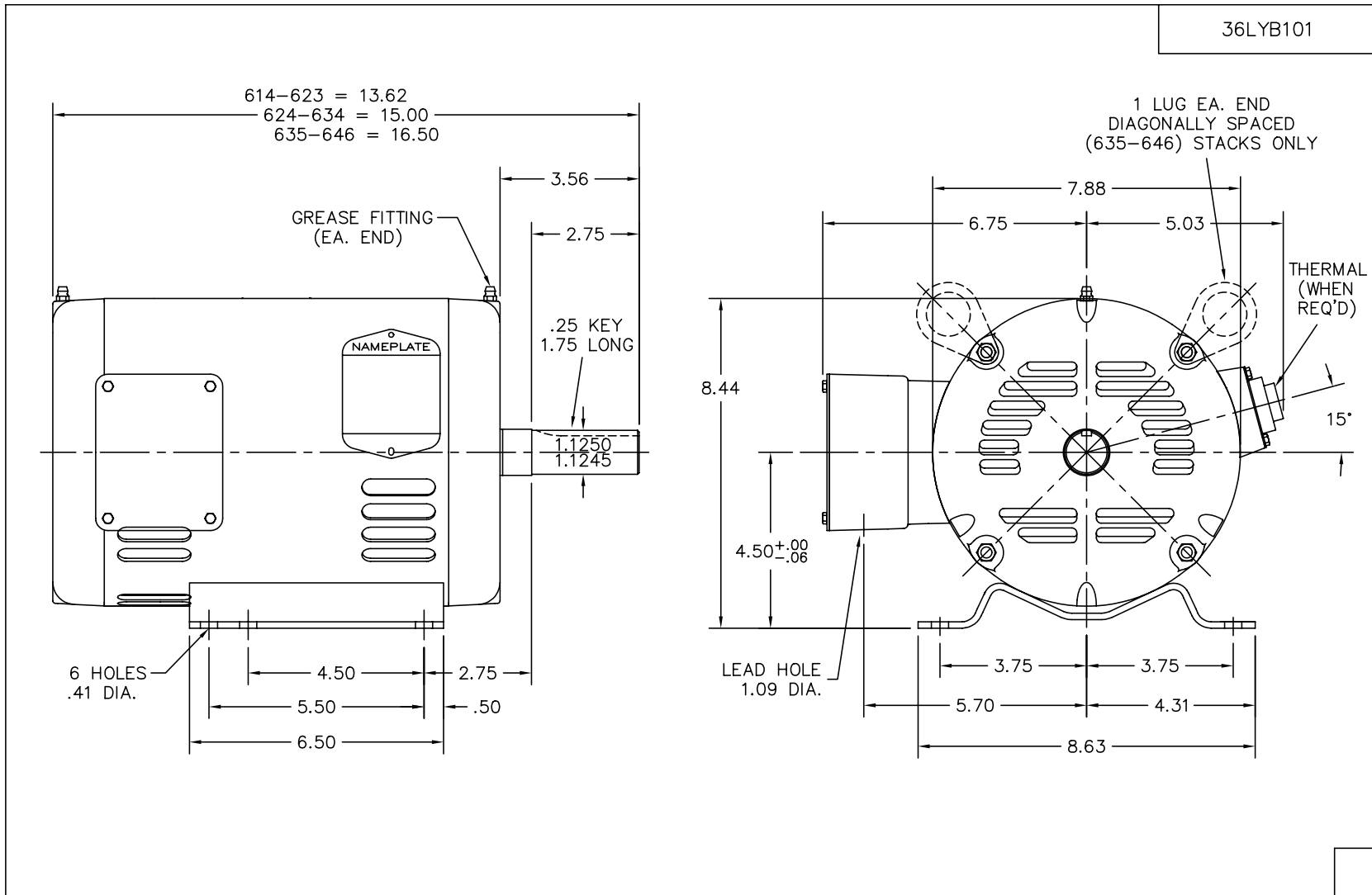
Nameplate Data				200 V, 60 Hz: Single Voltage Motor	
Rated Output (HP)	7.5			Full Load Torque	11.3 LB-FT
Volts	200			Start Configuration	direct on line
Full Load Amps	20			Breakdown Torque	54.1 LB-FT
R.P.M.	3450			Pull-up Torque	36.4 LB-FT
Hz	60	Phase	3	Locked-rotor Torque	41.9 LB-FT
NEMA Design Code	A	KVA Code	L	Starting Current	197 A
Service Factor (S.F.)	1.15			No-load Current	7 A
NEMA Nom. Eff.	88.5	Power Factor	91	Line-line Res. @ 25°C	0.33 Ω
Rating - Duty	40C AMB-CONT			Temp. Rise @ Rated Load	45°C
S.F. Amps				Temp. Rise @ S.F. Load	55°C
				Locked-rotor Power Factor	49.2
				Rotor inertia	0.143 LB-FT <sup>2</sup>

Load Characteristics 200 V, 60 Hz, 7.5 HP

% of Rated Load	25	50	75	100	125	150	S.F.
Power Factor	57	80	87	91	93	93	90
Efficiency	81.8	88	89.3	89.2	88	85.9	87.7
Speed	3572	3543	3513	3479	3442	3403	3470
Line amperes	8.51	11.5	15.5	19.9	24.7	30.3	23.7

Performance Graph at 200V, 60Hz, 7.5HP Typical performance - Not guaranteed values





36LYB101

CUST. NAME		CUST. P.O.		CERTIFIED BY		MODEL		INSUL		AMB			
H.P.		MTG		TYPE		R.P.M.		VOLTS		ENCL			
PHASE		FREQ		FRAME		<b>BALDOR ELECTRIC Co.</b>							
REV. LTR: D		BY: SSS		REVISED: 04/24/99 11:4								TDR: 0179838	
36LYB101		FILE: AAA00015992		MDL: -								MTL: -	
						STD HORZ 182-4T OPSB 36M							

36LYB101

CD0006



NOTES:

1. THREE LEAD MOTOR MAY BE EITHER WYE CONNECTED OR DELTA CONNECTED.
2. INTERCHANGE ANY TWO LINE LEADS TO REVERSE ROTATION.
3. OPTIONAL THERMOSTATS ARE PROVIDED WHEN SPECIFIED.
4. ACTUAL NUMBER OF INTERNAL PARALLEL CIRCUITS MAY VARY.
5. LEAD COLORS ARE OPTIONAL. LEADS MUST BE NUMBERED AS SHOWN.

REV. DESC: REVISE TO SHOW OPTIONAL COLORS			
REV. LTR: D	BY: JLP	REVISED: 01/21/99 4:02	TDR: 0171435
9000D		FILE: AAA00005141	MDL: -
		MTL: -	

**BALDOR ELECTRIC Co.**

3PH, SV, 3 LEADS, WYE OR DELTA CONNECTED

CD0006