

# **BALDOR**® • **RELIANCE**

## **Product Information Packet**

# **EM3311T-8G**

**7.5HP,1770RPM,3PH,60HZ,213TC,3734M,OPSB**

| Part Detail |      |                |       |             |          |               |            |
|-------------|------|----------------|-------|-------------|----------|---------------|------------|
| Revision:   | F    | Status:        | PRD/A | Change #:   |          | Proprietary:  | No         |
| Type:       | AC   | Prod. Type:    | 3734M | Elec. Spec: | 37WGZ613 | CD Diagram:   | CD0006     |
| Enclosure:  | OPSB | Mfg Plant:     |       | Mech. Spec: | 37J839   | Layout:       | 37LYJ839   |
| Frame:      | 213T | Mounting:      | F1    | Poles:      | 04       | Created Date: | 03-14-2016 |
| Base:       | RG   | Rotation:      | R     | Insulation: | H        | Eff. Date:    | 01-19-2017 |
| Leads:      | 3#12 |                |       |             |          | Replaced By:  |            |
| Literature: |      | Elec. Diagram: |       |             |          |               |            |

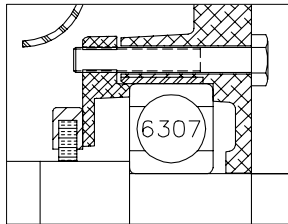
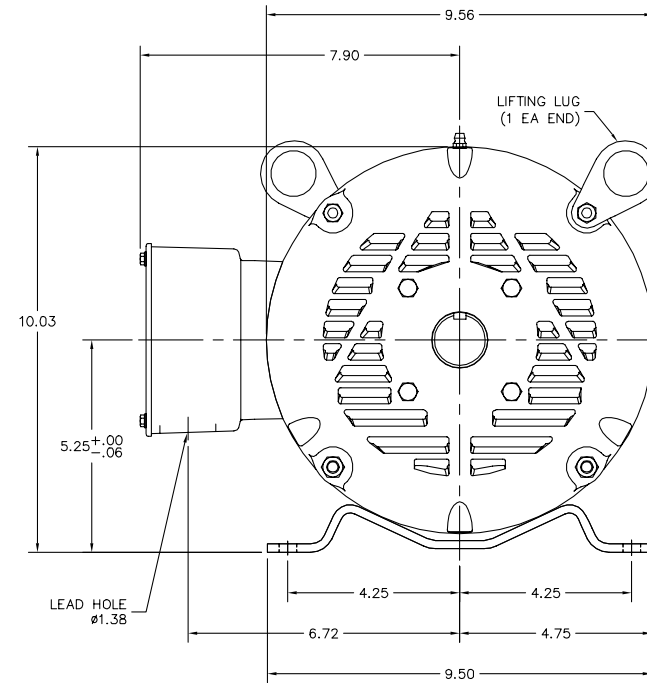
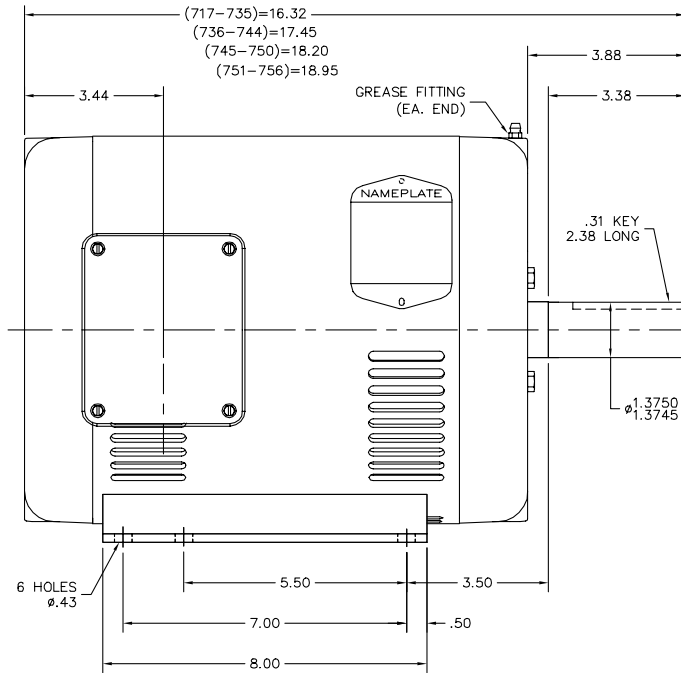
| Nameplate NP1259L |              |  |      |    |                |      |  |    |    |   |
|-------------------|--------------|--|------|----|----------------|------|--|----|----|---|
| CAT.NO.           | EM3311T-8G   |  |      |    |                |      |  |    |    |   |
| SPEC.             | 37J839Z613G1 |  |      |    |                |      |  |    |    |   |
| HP                | 7.5          |  |      |    |                |      |  |    |    |   |
| VOLTS             | 200          |  |      |    |                |      |  |    |    |   |
| AMP               | 23.3         |  |      |    |                |      |  |    |    |   |
| RPM               | 1770         |  |      |    |                |      |  |    |    |   |
| FRAME             | 213T         |  |      |    | HZ             | 60   |  |    | PH | 3 |
| SER.F.            | 1.15         |  | CODE | J  | DES            | A    |  | CL | H  |   |
| NEMA-NOM-EFF      | 91           |  | PF   | 77 |                |      |  |    |    |   |
| RATING            | 40C AMB-CONT |  |      |    |                |      |  |    |    |   |
| CC                | 010A         |  |      |    | USABLE AT 208V |      |  |    |    |   |
| DE                | 6307         |  |      |    | ODE            | 6206 |  |    |    |   |
| ENCL              | OPSB         |  | SN   |    |                |      |  |    |    |   |

| Parts List    |  |          |
|---------------|--|----------|
| Part Number   | Description                              | Quantity |
| SA317588      | SA 37J839Z613G1                          | 1.000 EA |
| RA305199      | RA 37J839Z613G1                          | 1.000 EA |
| HA6361A01     | LIFTING LUG FOR 37, 39 & 40 FRAME ZINC   | 2.000 EA |
| 37CB3006      | 37 CB CASTING W/1.38 LEAD HOLE @ 6:00    | 1.000 EA |
| 51XW2520A10   | .25-20 X .62, TAPTITE II, HEX WSHR SLTD  | 2.000 EA |
| 11XW1032G06   | 10-32 X .38, TAPTITE II, HEX WSHR SLTD U | 1.000 EA |
| 37EP3200A01SP | FR ENDPLATE, FOR ROUTING PURPOSES        | 1.000 EA |
| HW4500A01     | 1641B(ALEMITE)400 UNIV, GREASE FITT      | 1.000 EA |
| HW5100A06     | W2420-025 WVY WSHR (WB)                  | 1.000 EA |
| 37PE3201A80   | PU ENDPLATE ASSEMBLY FOR ROUTING         | 1.000 EA |
| 10XN2520A28   | 1/4-20X 1 3/4 HEX HD                     | 4.000 EA |
| HW1001A25     | LOCKWASHER 1/4, ZINC PLT .493 OD, .255 I | 4.000 EA |
| HW4500A01     | 1641B(ALEMITE)400 UNIV, GREASE FITT      | 1.000 EA |
| XY3118A12     | 5/16-18 HEX NUT DIRECTIONAL SERRATION    | 4.000 EA |
| 37CB4516      | LIPPED LID FOR 37 FRAME NEC KOBX         | 1.000 EA |
| 51XW0832A07   | 8-32 X .44, TAPTITE II, HEX WSHR SLTD SE | 4.000 EA |
| HW2501F21     | KEY, 5/16 SQ X 2.375                     | 1.000 EA |
| HA7000A02     | KEY RETAINER RING, 1 1/8 DIA, 1 3/8 DIA  | 1.000 EA |
| 85XU0407S04   | 4X1/4 U DRIVE PIN STAINLESS              | 2.000 EA |
| LB1115N       | LABEL,LIFTING DEVICE (ON ROLLS)          | 1.000 EA |
| LB1459        | AEGIS SGR LABEL "AEGISLBL-100"           | 1.000 EA |
| MJ1000A02     | GREASE, POLYREX EM EXXON (USe 4824-15A)  | 0.050 LB |
| HA3104A39     | THRUBOLT-5/16-18 X 12.250                | 4.000 EA |
| 37AD2001A01   | BAFFLE PLATE, STAMPED                    | 2.000 EA |

| <b>Parts List (continued)</b> |  |                 |
|-------------------------------|--|-----------------|
| <b>Part Number</b>            | <b>Description</b>                       | <b>Quantity</b> |
| MG1000Y03                     | MUNSELL 2.53Y 6.70/ 4.60, GLOSS 20,      | 0.028 GA        |
| LB1119N                       | WARNING LABEL                            | 1.000 EA        |
| LC0006                        | CONNECTION LABEL                         | 1.000 EA        |
| NP1259L                       | ALUM SUPER-E UL CSA-EEV CC NEMA PREMIUM  | 1.000 EA        |
| 36PA1001                      | PKG GRP, PRINT PK1017A06                 | 1.000 EA        |
| MN416A01                      | TAG-INSTAL-MAINT no wire (1000/bx) 11/14 | 1.000 EA        |
| LB1350                        | BAR CODE LABEL FOR YORK                  | 1.000 EA        |

No performance data has been  
assigned to this product.

37LYJ839



PU END DETAIL

CUSTOMER IS RESPONSIBLE FOR DETERMINING THAT BALDOR'S PRODUCT WILL PERFORM SUITABLY IN THE INTENDED APPLICATION.

|                      |                              |                   |
|----------------------|------------------------------|-------------------|
| REV. DESC: NEW       | VERSION: 00                  | TDR: 000000553350 |
| REV. LTR: -          | REVISED: 01:15:32 08/26/2010 | BY: ENWINBO       |
| FILE: \AAA\00174\569 |                              |                   |
| MTL: -               |                              |                   |

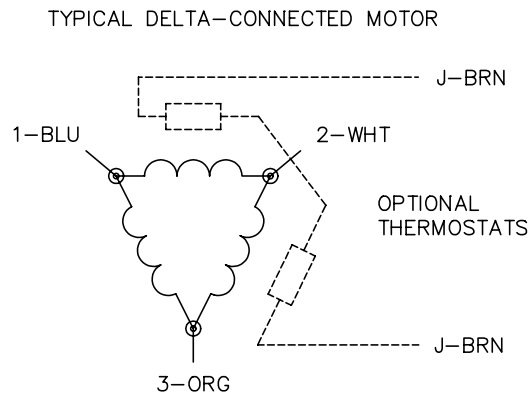
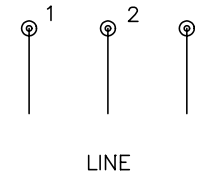
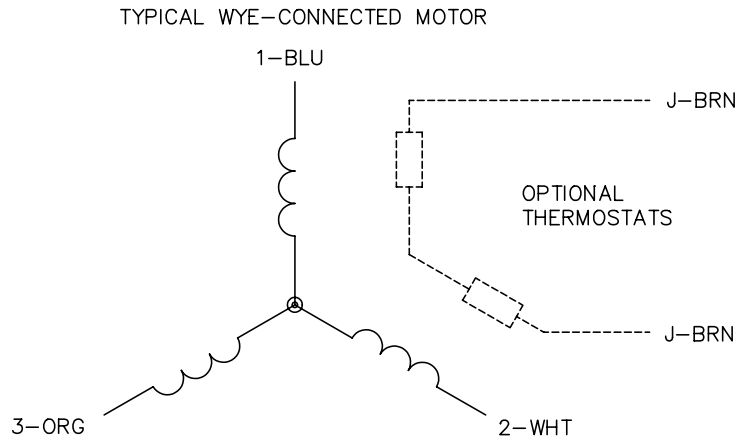
**BALDOR**

HOR 213-5T OPSB M, AEGIS INT SHAFT GND

SH 1 of 1

37LYJ839

CD0006



NOTES:

1. THREE LEAD MOTOR MAY BE EITHER WYE CONNECTED OR DELTA CONNECTED.
2. INTERCHANGE ANY TWO LINE LEADS TO REVERSE ROTATION.
3. OPTIONAL THERMOSTATS ARE PROVIDED WHEN SPECIFIED.
4. ACTUAL NUMBER OF INTERNAL PARALLEL CIRCUITS MAY VARY.
5. LEAD COLORS ARE OPTIONAL. LEADS MUST BE NUMBERED AS SHOWN.

|   |         |                        |              |
|---|---------|------------------------|--------------|
| REV. DESC: REVISE TO SHOW OPTIONAL COLORS |         |                        |              |
| REV. LTR: D                               | BY: JLP | REVISED: 01/21/99 4:02 | TDR: 0171435 |
| 9000D                                     |         | FILE: AAA00005141      | MDL: -       |
|   |         | MTL: -                 |              |

**BALDOR ELECTRIC Co.**

3PH, SV, 3 LEADS, WYE OR DELTA CONNECTED

CD0006