

# **BALDOR**® • ***RELIANCE***

## **Product Information Packet**

# **EM3312T-8**

**10HP,3475RPM,3PH,60HZ,213T,3728M,OPSB,F1**

Part Detail							
Revision:	B	Status:	PRD/A	Change #:		Proprietary:	No
Type:	AC	Prod. Type:	3728M	Elec. Spec:	37WGR875	CD Diagram:	CD0006
Enclosure:	OPSB	Mfg Plant:		Mech. Spec:	37B101	Layout:	37LYB101
Frame:	213T	Mounting:	F1	Poles:	02	Created Date:	08-05-2015
Base:	RG	Rotation:	R	Insulation:	F	Eff. Date:	11-09-2016
Leads:	3#10					Replaced By:	
Literature:		Elec. Diagram:					

<b>Nameplate NP3553L</b>										
<b>CAT.NO.</b>	EM3312T-8									
<b>SPEC.</b>	37B101R875G1									
<b>HP</b>	10									
<b>VOLTS</b>	200									
<b>AMP</b>	27.3									
<b>RPM</b>	3475									
<b>FRAME</b>	213T				<b>HZ</b>	60			<b>PH</b>	3
<b>SER.F.</b>	1.15		<b>CODE</b>	G	<b>DES</b>	B		<b>CL</b>	F	
<b>NEMA-NOM-EFF</b>	89.5		<b>PF</b>	87						
<b>RATING</b>	40C AMB-CONT									
<b>CC</b>	010A				<b>USABLE AT 208V</b>					
<b>DE</b>	6307				<b>ODE</b>	6206				
<b>ENCL</b>	OPSB		<b>SN</b>							
<b>VPWM INVERTER READY</b>										
CT30-60(2:1) VT3-60(20:1)										

Parts List		
Part Number	Description	Quantity
SA305152	SA 37B101R875G1	1.000 EA
RA292358	RA 37B101R875G1	1.000 EA
HA6361A01	LIFTING LUG FOR 37, 39 & 40 FRAME ZINC	2.000 EA
37CB3006	37 CB CASTING W/1.38 LEAD HOLE @ 6:00	1.000 EA
51XW2520A10	.25-20 X .62, TAPTITE II, HEX WSHR SLTD	2.000 EA
11XW1032G06	10-32 X .38, TAPTITE II, HEX WSHR SLTD U	1.000 EA
37EP3200A01SP	FR ENDPLATE, FOR ROUTING PURPOSES	1.000 EA
HW4500A01	1641B(ALEMITE)400 UNIV, GREASE FITT	1.000 EA
HW5100A06	W2420-025 WVY WSHR (WB)	1.000 EA
37PE3201A01	PU ENDPLATE ASSEMBLY FOR ROUTING	1.000 EA
HW4500A01	1641B(ALEMITE)400 UNIV, GREASE FITT	1.000 EA
XY3118A12	5/16-18 HEX NUT DIRECTIONAL SERRATION	4.000 EA
37CB4516	LIPPED LID FOR 37 FRAME NEC KOBX	1.000 EA
51XW0832A07	8-32 X .44, TAPTITE II, HEX WSHR SLTD SE	4.000 EA
HW2501F21	KEY, 5/16 SQ X 2.375	1.000 EA
HA7000A02	KEY RETAINER RING, 1 1/8 DIA, 1 3/8 DIA	1.000 EA
85XU0407S04	4X1/4 U DRIVE PIN STAINLESS	2.000 EA
LB1115N	LABEL,LIFTING DEVICE (ON ROLLS)	1.000 EA
MJ1000A02	GREASE, POLYREX EM EXXON (USe 4824-15A)	0.050 LB
MG1000Y03	MUNSELL 2.53Y 6.70/ 4.60, GLOSS 20,	0.028 GA
37AD2001A01	BAFFLE PLATE, STAMPED	2.000 EA
HA3104A39	THRUBOLT-5/16-18 X 12.250	4.000 EA
LB1119N	WARNING LABEL	1.000 EA
LC0006	CONNECTION LABEL	1.000 EA

<b>Parts List (continued)</b>		
<b>Part Number</b>	<b>Description</b>	<b>Quantity</b>
NP3553L	ALUM SUPER-E VPWM INVERTER READY UL	1.000 EA
36PA1001	PKG GRP, PRINT PK1017A06	1.000 EA
MN416A01	TAG-INSTAL-MAINT no wire (1000/bx) 11/14	1.000 EA

**AC Induction Motor Performance Data**  
Record # 52222 - Preliminary Data Sheet

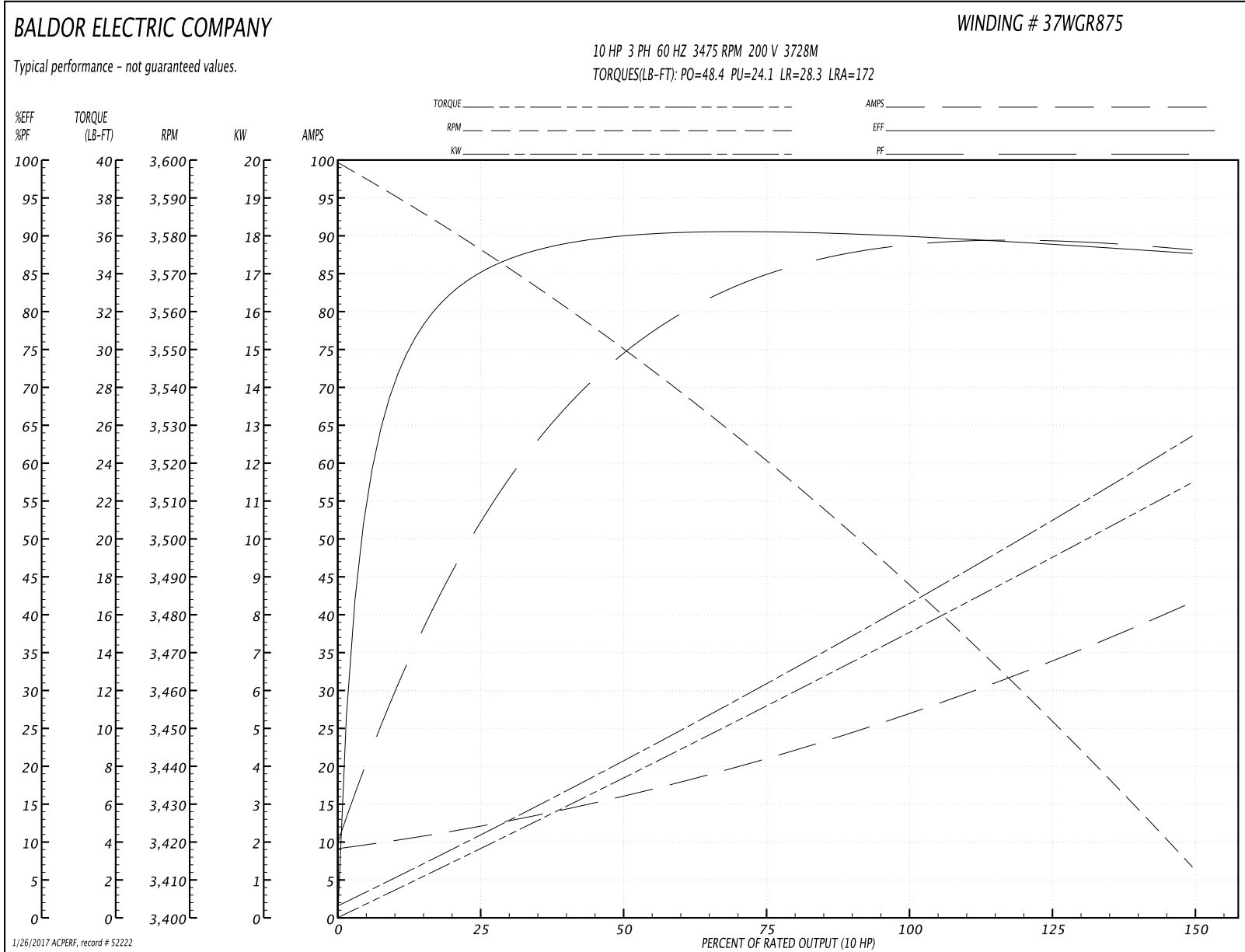
<b>Winding:</b> 37WGR875-R001	<b>Type:</b> 3728M	<b>Enclosure:</b> OPSB
-------------------------------	--------------------	------------------------

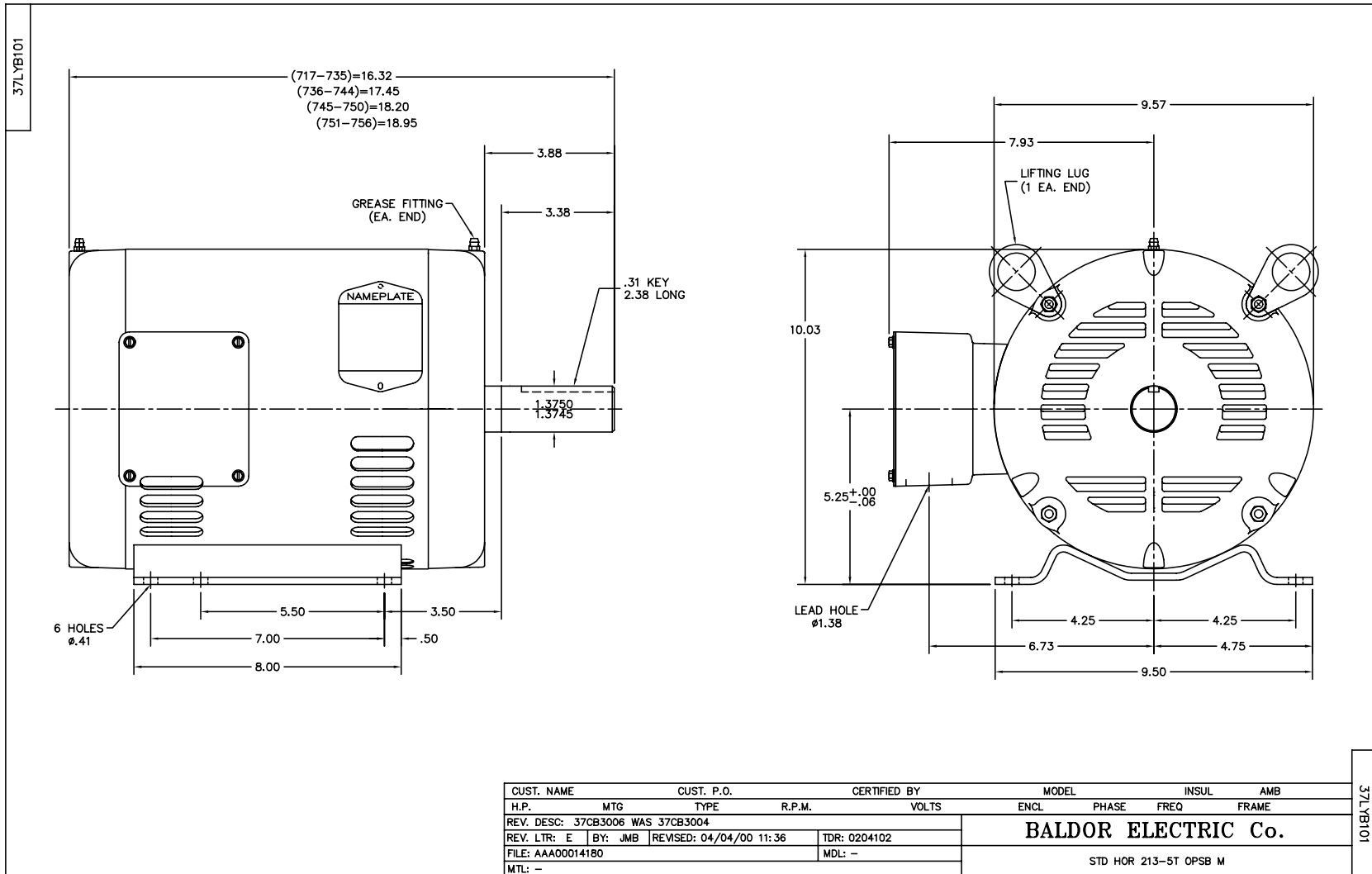
Nameplate Data				200 V, 60 Hz: Single Voltage Motor	
Rated Output (HP)	10			Full Load Torque	15.03 LB-FT
Volts	200			Start Configuration	direct on line
Full Load Amps	27.3			Breakdown Torque	48.4 LB-FT
R.P.M.	3475			Pull-up Torque	24.1 LB-FT
Hz	60	Phase	3	Locked-rotor Torque	28.3 LB-FT
NEMA Design Code	B	KVA Code	G	Starting Current	172 A
Service Factor (S.F.)	1.15			No-load Current	9.61 A
NEMA Nom. Eff.	89.5	Power Factor	87	Line-line Res. @ 25°C	0.186 Ω
Rating - Duty	40C AMB-CONT			Temp. Rise @ Rated Load	29°C
S.F. Amps				Temp. Rise @ S.F. Load	36°C
				Locked-rotor Power Factor	34.8
				Rotor inertia	0.255 LB-FT <sup>2</sup>

Load Characteristics 200 V, 60 Hz, 10 HP

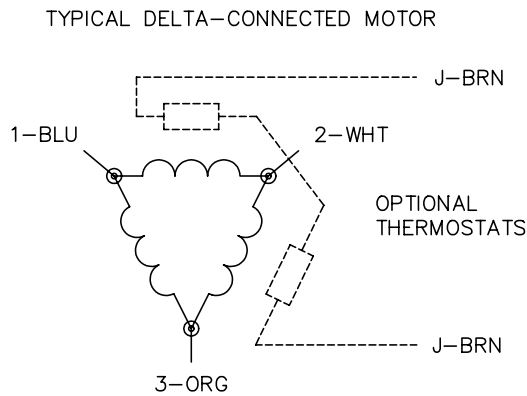
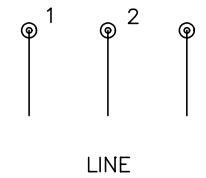
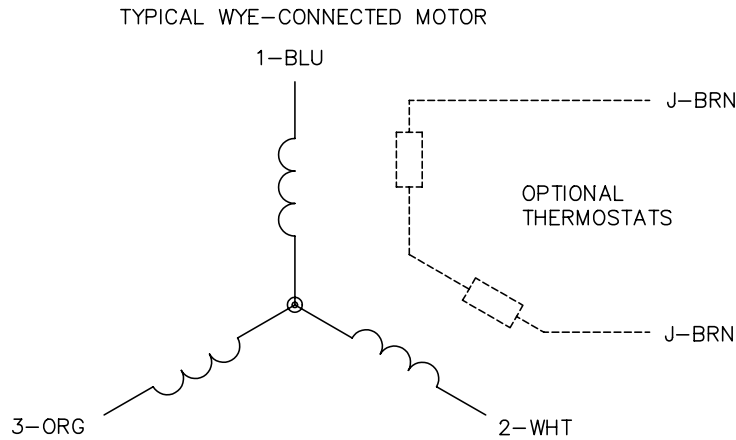
% of Rated Load	25	50	75	100	125	150	S.F.
Power Factor	55	77	84	87	89	89	88
Efficiency	84.9	89.8	90.5	90.2	88.9	87.7	89.4
Speed	3577	3550	3522	3488	3452	3414	3466
Line amperes	11.5	15.6	21.2	27.3	33.8	41.4	31.2

Performance Graph at 200V, 60Hz, 10.0HP Typical performance - Not guaranteed values





CD0006



NOTES:

1. THREE LEAD MOTOR MAY BE EITHER WYE CONNECTED OR DELTA CONNECTED.
2. INTERCHANGE ANY TWO LINE LEADS TO REVERSE ROTATION.
3. OPTIONAL THERMOSTATS ARE PROVIDED WHEN SPECIFIED.
4. ACTUAL NUMBER OF INTERNAL PARALLEL CIRCUITS MAY VARY.
5. LEAD COLORS ARE OPTIONAL. LEADS MUST BE NUMBERED AS SHOWN.

REV. DESC: REVISE TO SHOW OPTIONAL COLORS

REV. LTR: D BY: JLP

REVISED: 01/21/99 4:02

TDR: 0171435

9000D

FILE: AAA00005141

MDL: -

MTL: -

**BALDOR ELECTRIC Co.**

3PH, SV, 3 LEADS, WYE OR DELTA CONNECTED

CD0006