

BALDOR® • ***RELIANCE***

Product Information Packet

EM7013

1HP,3450RPM,3PH,60HZ,56,3418M,XPFC,F1,N

Part Detail							
Revision:	A	Status:	PRD/A	Change #:		Proprietary:	No
Type:	AC	Prod. Type:	3418M	Elec. Spec:	34WGR348	CD Diagram:	CD0005
Enclosure:	XPFC	Mfg Plant:		Mech. Spec:	34-5325	Layout:	34LY5325
Frame:	56	Mounting:	F1	Poles:	02	Created Date:	11-10-2015
Base:	RG	Rotation:	R	Insulation:	B	Eff. Date:	02-22-2016
Leads:	9#18					Replaced By:	
Literature:		Elec. Diagram:					

Nameplate NP1426XPSLEV	
NO.	<input type="text"/> CC 010A
SER.	<input type="text"/>
SPEC.	34-5325R348G1
CAT.NO.	EM7013
HP	1 T. CODE T3C
VOLTS	230/460
AMPS	2.8/1.4
RPM	3450
HZ	60 PH 3 CL B
SER.F.	1.00 DES B CODE L
RATING	40C AMB-CONT
FRAME	56 NEMA-NOM-EFF 77
USABLE AT 208V	2.9 PF 83
BLANK	<input type="text"/>

Parts List		
Part Number	Description	Quantity
SA310393	SA 34-5325R348G1	1.000 EA
RA297779	RA 34-5325R348G1	1.000 EA
MJ5000A01	SEALANT, CHICO A COMPOUND	0.050 LB
35CB3001A01SP	EXPL CONDUIT BOX, MACH, 1/2" PIPE TAP LE	1.000 EA
11XW1032G06	10-32 X .38, TAPTITE II, HEX WSHR SLTD U	1.000 EA
51XW0832A07	8-32 X .44, TAPTITE II, HEX WSHR SLTD SE	2.000 EA
34EP3703A01	FR ENDPLATE, MACH XP	1.000 EA
HW4002A02	1-11.5X2LG PIPE NIPPLE (F/S)	1.000 EA
HA1025A13	WSHR,FELT,.38" THICK F-26 CLASS	1.000 EA
HW3021E06	1/8 DIA X 5/8 ROLLPIN (F/S)	1.000 EA
HW5100A03SP	WAVY WASHER (W1543-017)	1.000 EA
34EP3704A01	PU ENDPLATE, MACH XP	1.000 EA
XY3118A12	5/16-18 HEX NUT DIRECTIONAL SERRATION	4.000 EA
34FN3002A01SP	EXTERNAL FAN, PLASTIC, .637/.639 HUB W/	1.000 EA
34FH4002A01SP	IEC FH NO GREASER PRIMED	1.000 EA
51XW1032A06	10-32 X .38, TAPTITE II, HEX WSHR SLTD S	3.000 EA
35CB3500A01SP	CONDUIT BOX LID, MACH	1.000 EA
51XN2520A16	SCREW, HEX WS SLT, ZN, 1/4-20 X 1.00	4.000 EA
NP0018W	ALUM UL XP CONDUIT BOX NAMEPLATE	1.000 EA
WD1000A16	2-520128-2 AMP FLAG TERMINAL(4M/RL)	11.000 EA
WD1000A16	2-520128-2 AMP FLAG TERMINAL(4M/RL)	11.000 EA
HW3001B01	BRASS CUP WASHER, FOR #8 SCREW	1.000 EA
MG1025G29	WILKOFAS, 789.229, DARK CHARCOAL GRAY	0.014 GA
85XU0407S04	4X1/4 U DRIVE PIN STAINLESS	6.000 EA

Parts List (continued)		
Part Number	Description	Quantity
HW2502D13	SS KEY, 3/16 SQ X 1.375	1.000 EA
HA7000A04	KEY RETAINER 0.625 DIA SHAFTS	1.000 EA
HA3104A08	THRUBOLT-5/16-18X9.375 X X	4.000 EA
SP5037A01	TERMINAL PLATE ASS'Y MODEL 34 - 3 PHASE	1.000 EA
LC0145B01	CONNECTION LABEL	1.000 EA
LB1119N	WARNING LABEL	1.000 EA
MN416A01	TAG-INSTAL-MAINT no wire (1000/bx) 11/14	1.000 EA
NP1426XPSLEV	SS XP UL CSA-EEV CC CL-I GP-D	1.000 EA
36PA1000	PKG GRP, PRINT PK1016A06	1.000 EA

AC Induction Motor Performance Data
Record # 53912 - Typical performance - not guaranteed values

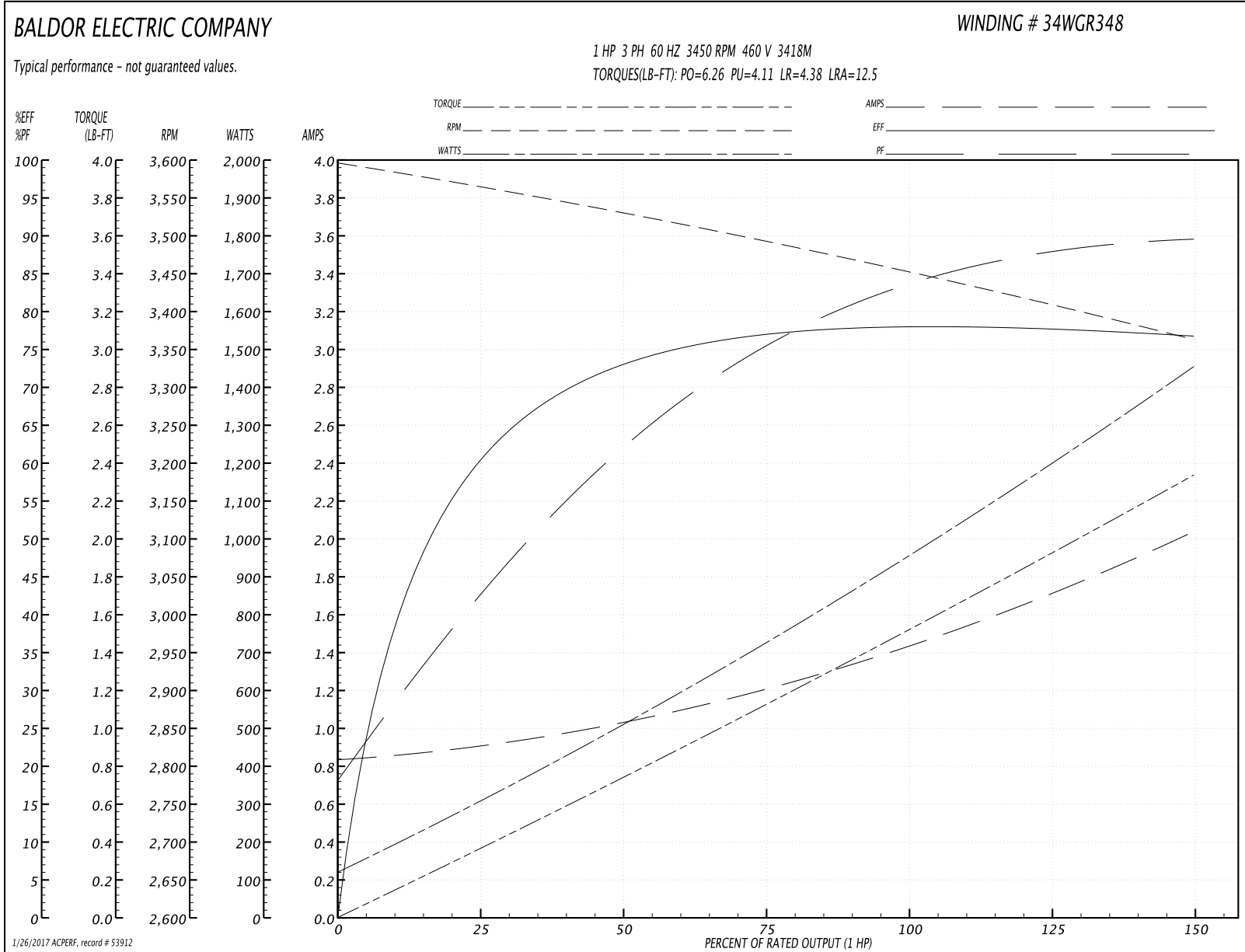
Winding: 34WGR348-R002	Type: 3418M	Enclosure: XPFC
-------------------------------	--------------------	------------------------

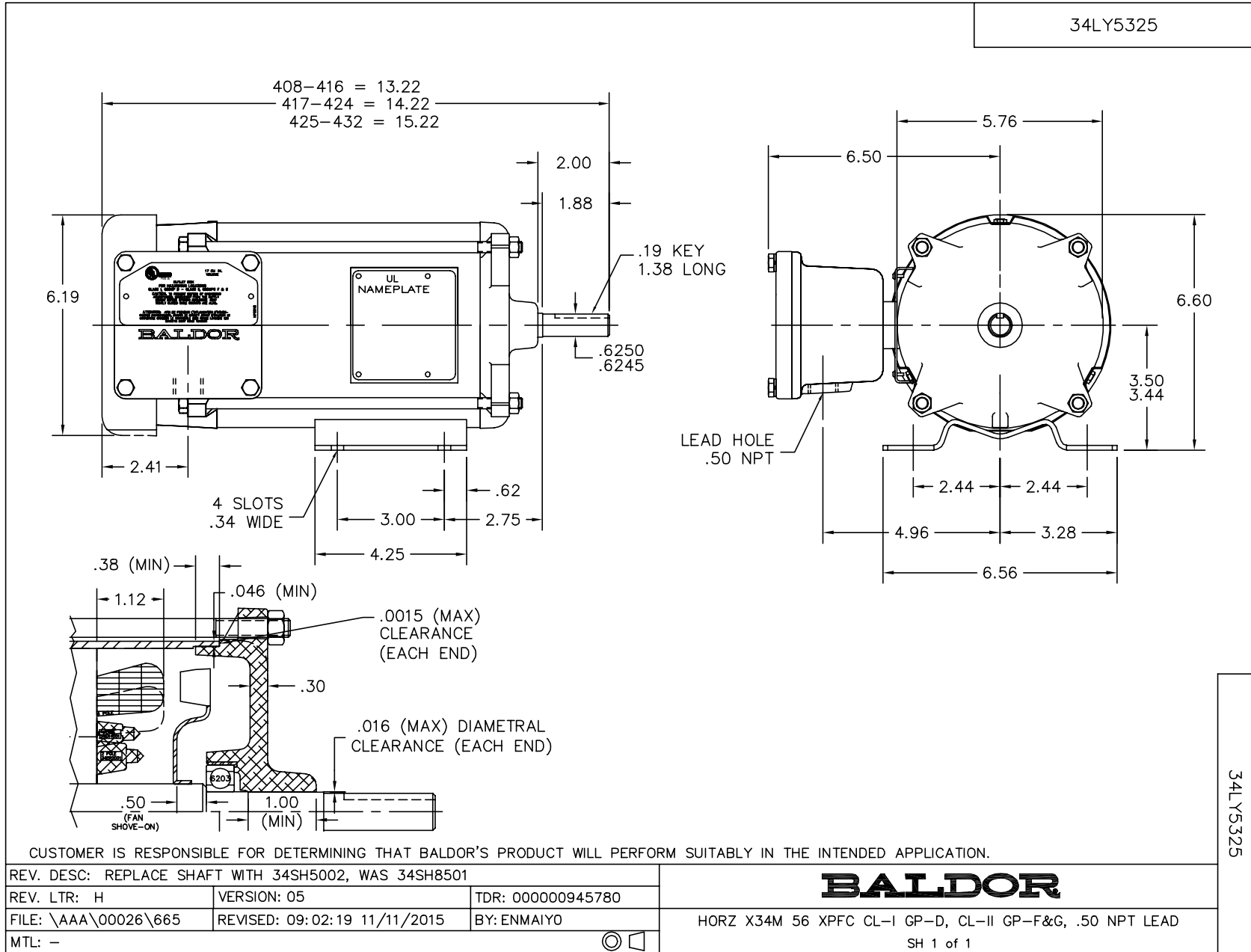
Nameplate Data				460 V, 60 Hz: High Voltage Connection	
Rated Output (HP)	1			Full Load Torque	1.52 LB-FT
Volts	230/460			Start Configuration	direct on line
Full Load Amps	2.8/1.4			Breakdown Torque	6.26 LB-FT
R.P.M.	3450			Pull-up Torque	4.11 LB-FT
Hz	60	Phase	3	Locked-rotor Torque	4.38 LB-FT
NEMA Design Code	B	KVA Code	L	Starting Current	12.5 A
Service Factor (S.F.)	1			No-load Current	0.844 A
NEMA Nom. Eff.	77	Power Factor	83	Line-line Res. @ 25°C	17.1 Ω
Rating - Duty	40C AMB-CONT			Temp. Rise @ Rated Load	59°C
				Locked-rotor Power Factor	68
				Rotor inertia	0.0167 LB-FT ²

Load Characteristics 460 V, 60 Hz, 1 HP

% of Rated Load	25	50	75	100	125	150
Power Factor	44	63	75	83	87	90
Efficiency	60.2	72.8	76.8	78.4	77.9	76.6
Speed	3561	3528	3494	3455	3411	3361
Line amperes	0.898	1.02	1.21	1.44	1.72	2.03

Performance Graph at 460V, 60Hz, 1.0HP Typical performance - Not guaranteed values





CD0005

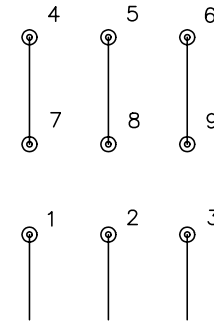


LOW VOLTAGE
(2Y)



LINE

HIGH VOLTAGE
(1Y)



LINE

NOTES:

1. INTERCHANGE ANY TWO LINE LEADS TO REVERSE ROTATION.
2. OPTIONAL THERMOSTATS ARE PROVIDED WHEN SPECIFIED.
3. ACTUAL NUMBER OF INTERNAL PARALLEL CIRCUITS MAY BE A MULTIPLE OF THOSE SHOWN ABOVE.
4. LEAD COLORS ARE OPTIONAL. LEADS MUST ALWAYS BE NUMBERED AS SHOWN.

REV. DESC: REVISE TO SHOW OPTIONAL COLORS			
REV. LTR: E	BY: JLP	REVISED: 01/19/99 10:15	TDR: 0171435
9000D		FILE: AAA00005140	MDL: -
		MTL: -	

BALDOR ELECTRIC Co.

3PH, DV, 9 LEADS

CD0005