

BALDOR® • ***RELIANCE***

Product Information Packet

EM7064T-I

50//40HP,1775//1475RPM,3PH,60//50HZ,326T

Part Detail							
Revision:	Q	Status:	PRD/A	Change #:		Proprietary:	No
Type:	AC	Prod. Type:	1276M	Elec. Spec:	12WGY585	CD Diagram:	CD0180
Enclosure:	XPFC	Mfg Plant:		Mech. Spec:	12S077	Layout:	12LYS077
Frame:	326T	Mounting:	F1	Poles:	04	Created Date:	06-05-2012
Base:	RG	Rotation:	R	Insulation:	F	Eff. Date:	01-03-2017
Leads:	9#8					Replaced By:	
Literature:		Elec. Diagram:					

Nameplate NP0977XPSLEV										
NO.							CC	010A		
SER.							TEMP CODE	T3C		
SPEC.	12S077Y585G1									
CAT.NO.	EM7064T-I									
HP	50//40 NEMA MG-1 PT.5,IP55									
VOLTS	230/460//190/380									
AMPS	118/59//114/57									
RPM	1775//1475						MOTOR WEIGHT	850		
HERTZ	60//50		PH	3	CL	F	DE BRG	6312		
SER.F.	1.15		DES	A	CODE	J	ODE BRG	6311		
FRAME	326T		GREASE	POLYREX EM						
RATING	40C AMB-CONT									
USABLE AT 208V	126		NEMA-NOM-EFF			94.5		PF	84	
	55C AMB @ 1.0 SF,60C RISE									

Parts List		
Part Number	Description	Quantity
SA245681	SA 12S077Y585G1	1.000 EA
RA232566	RA 12S077Y585G1	1.000 EA
09FN3001B03SP	EXTERNAL FAN, PLASTIC	1.000 EA
12CB1003A01	CONDUIT BOX MACH. GROUP C MTRS	1.000 EA
10XN3118K24	5/16-18 X 1.50" HEX HD, GRADE 5	4.000 EA
HW1001A31	LOCKWASHER 5/16, ZINC PLT.591 OD, .319 I	4.000 EA
WD1000B19	TERMINAL BURNDY L250HP	1.000 EA
10XN3816K12	3/8-16 X 3/4 HEX HD CAP GRADE 5	1.000 EA
HW1001A38	LOCKWASHER 3/8, ZINC PLT .688 OD, .382 I	1.000 EA
12EP1705A12P	EP, MACH. XPFC, 311 BRG. GRP C, HW4505A0	1.000 EA
HW4505A02	BREATHER/DRAIN-EXP PROOF-.250-18 PTF AIS	1.000 EA
HW3023E06	.125 X .625 SPIRAL SPRING PIN	1.000 EA
HA3051A03	1/2-13X2.75 BLT GR8 1.75 TO E NC F/S	4.000 EA
HW1001A50	LOCKWASHER 1/2, ZINC PLT.,.879 OD, .509 I	4.000 EA
HW5100A13	W4627-047 WVY WSHER	1.000 EA
10XN3118K44	5/16-18 X 2.75" HEX HD, GRADE 5	4.000 EA
HW1001A31	LOCKWASHER 5/16, ZINC PLT.591 OD, .319 I	4.000 EA
12EP1706A08P	EP, MACH. XPFC 312 BRG. W/DRAIN HW4505A0	1.000 EA
HW4505A02	BREATHER/DRAIN-EXP PROOF-.250-18 PTF AIS	1.000 EA
HW3023E06	.125 X .625 SPIRAL SPRING PIN	1.000 EA
HA3051A03	1/2-13X2.75 BLT GR8 1.75 TO E NC F/S	4.000 EA
HW1001A50	LOCKWASHER 1/2, ZINC PLT.,.879 OD, .509 I	4.000 EA
HA2067A02	SLINGER ALUM (AUTO)	1.000 EA
80XN1032A07	SET SCREW, HEX XOCK, ZN	2.000 EA

Parts List (continued)		
Part Number	Description	Quantity
12FH1001A06	FAN HOUSING 312 EXPLOSION PROOF MOTORS	1.000 EA
10XN3118J12	5/16-18 X 3/4 HEX HEAD CAP, GRADE 8	3.000 EA
HW1001A31	LOCKWASHER 5/16, ZINC PLT.591 OD, .319 I	3.000 EA
12CB1502A01	CONDUIT BOX LID MACH. GROUP C MTRS	1.000 EA
84XN5013J32	SOCKET HD.CAP SCR,1/2-13 X 2"LG,ALLOY ST	10.000 EA
HW1001A50	LOCKWASHER 1/2, ZINC PLT.,.879 OD, .509 I	10.000 EA
HW2501H33	KEY, 1/2 SQ X 3.875	1.000 EA
LB1115N	LABEL,LIFTING DEVICE (ON ROLLS)	1.000 EA
LB1081C	ALUM XP CAUTION LABEL (COL PLANT ONLY-	1.000 EA
MN416A01	TAG-INSTAL-MAINT no wire (1000/bx) 11/14	1.000 EA
HW4500A20	1/8NPT SL PIPE PLUG	2.000 EA
MJ1000A02	GREASE, POLYREX EM EXXON (USe 4824-15A)	0.200 LB
HW4500A20	1/8NPT SL PIPE PLUG	2.000 EA
HW2500A25	WOODRUFF KEY USA #1008 #BLOW CARBON STEE	1.000 EA
51XB1214A20	12-14X1.25 HXWSSLD SERTYB	1.000 EA
MG1025G05	WILKOFASST, 789.227, MED. GRAY CHAR. MET.	0.080 GA
85XU0407S04	4X1/4 U DRIVE PIN STAINLESS	6.000 EA
LB1119N	WARNING LABEL	1.000 EA
LC0181	CONNECTION LABEL	1.000 EA
NP0977XPSLEV	SS XP UL CSA-EEV CC CL-I GP-C&D	1.000 EA
12PA1020	PKGP CRATE 312 EXPORT 36 X 30-1/2 X 22-	1.000 EA

AC Induction Motor Performance Data

Record # 39101 - Typical performance - not guaranteed values

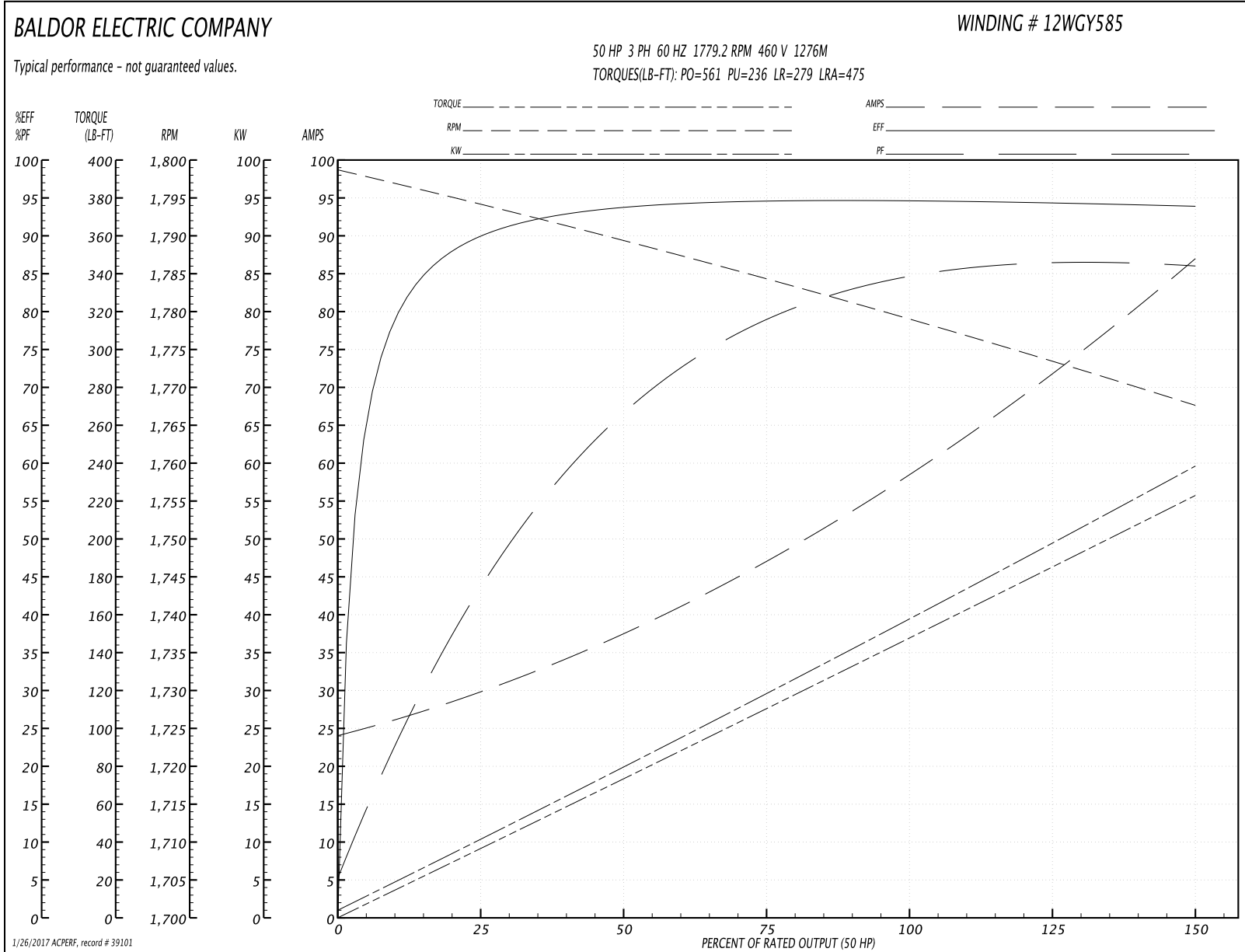
Winding: 12WGY585-R001	Type: 1276M	Enclosure: XPFC
-------------------------------	--------------------	------------------------

Nameplate Data				460 V, 60 Hz: High Voltage Connection	
Rated Output (HP)	50//40			Full Load Torque	148 LB-FT
Volts	230/460//190/380			Start Configuration	direct on line
Full Load Amps	118/59//114/57			Breakdown Torque	561 LB-FT
R.P.M.	1775//1475			Pull-up Torque	236 LB-FT
Hz	60//50	Phase	3	Locked-rotor Torque	279 LB-FT
NEMA Design Code	A	KVA Code	J	Starting Current	475 A
Service Factor (S.F.)	1.15			No-load Current	25 A
NEMA Nom. Eff.	94.5	Power Factor	84	Line-line Res. @ 25°C	0.096885 Ω
Rating - Duty	40C AMB-CONT			Temp. Rise @ Rated Load	56°C
S.F. Amps				Temp. Rise @ S.F. Load	67°C
				Locked-rotor Power Factor	26
				Rotor inertia	10.1 LB-FT ²

Load Characteristics 460 V, 60 Hz, 50 HP

% of Rated Load	25	50	75	100	125	150	S.F.
Power Factor	46	68	78	84	85	87	85
Efficiency	90	93.7	94.6	94.7	94.4	93.9	94.5
Speed	1794	1789.1	1784.4	1779.2	1773.7	1767.4	1776
Line amperes	28.6	36.9	47.3	59.1	72.4	86.3	67.1

Performance Graph at 460V, 60Hz, 50.0HP Typical performance - Not guaranteed values



AC Induction Motor Performance Data

Record # 39102 - Typical performance - not guaranteed values

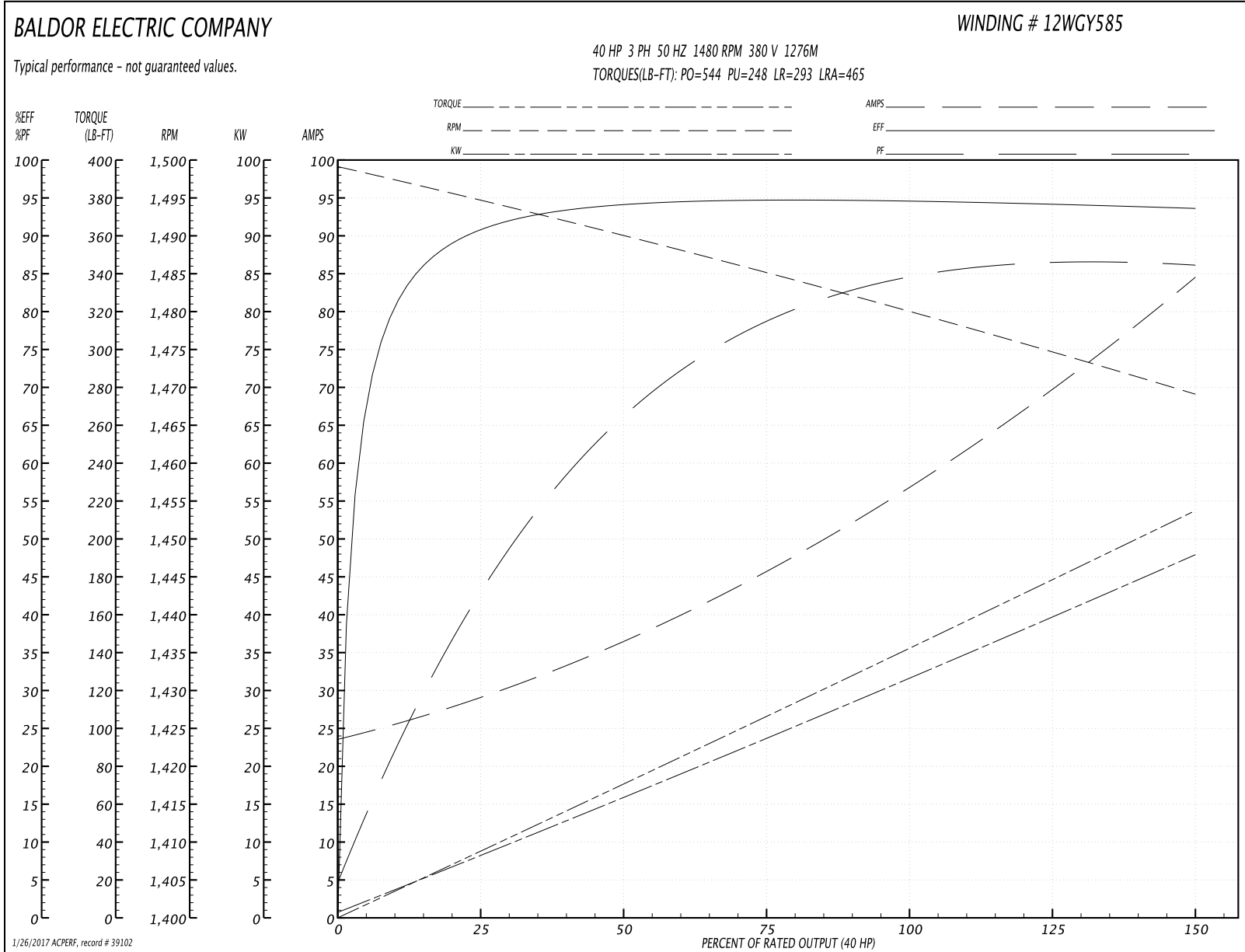
Winding: 12WGY585-R001	Type: 1276M	Enclosure: XPFC
-------------------------------	--------------------	------------------------

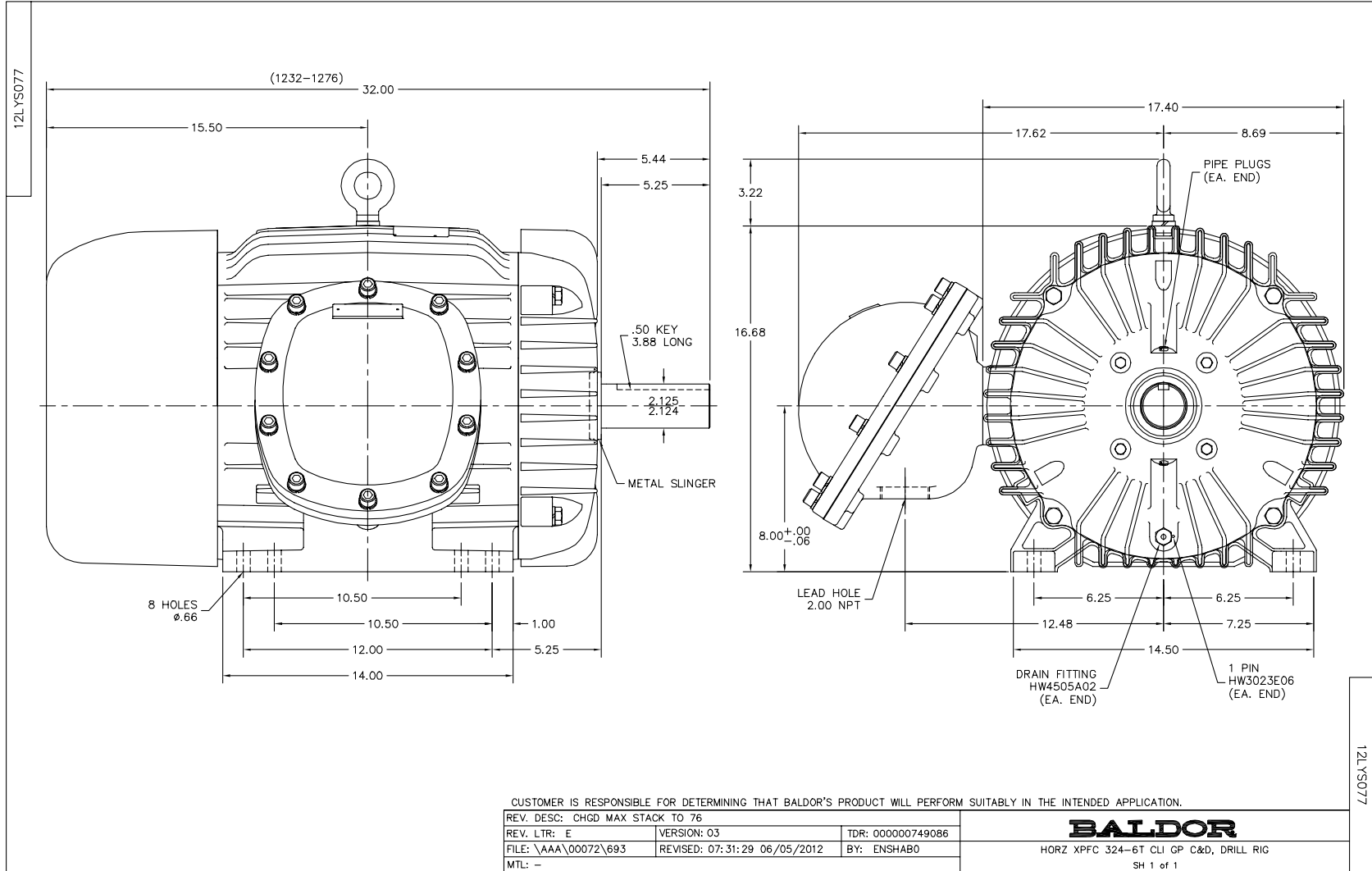
Nameplate Data				380 V, 50 Hz: High Voltage Connection	
Rated Output (HP)	50//40			Full Load Torque	142 LB-FT
Volts	230/460//190/380			Start Configuration	direct on line
Full Load Amps	118/59//114/57			Breakdown Torque	544 LB-FT
R.P.M.	1775//1475			Pull-up Torque	248 LB-FT
Hz	60//50	Phase	3	Locked-rotor Torque	293 LB-FT
NEMA Design Code	A	KVA Code	J	Starting Current	465 A
Service Factor (S.F.)	1.15			No-load Current	24.5 A
NEMA Nom. Eff.	94.5	Power Factor	84	Line-line Res. @ 25°C	0.0926 Ω
Rating - Duty	40C AMB-CONT			Temp. Rise @ Rated Load	52°C
S.F. Amps				Temp. Rise @ S.F. Load	63°C
				Locked-rotor Power Factor	29
				Rotor inertia	10.1 LB-FT ²

Load Characteristics 380 V, 50 Hz, 40 HP

% of Rated Load	25	50	75	100	125	150	S.F.
Power Factor	45	67	78	84	86	87	85
Efficiency	90.7	94	94.8	94.6	94.3	93.6	94.4
Speed	1495	1490	1485	1480	1475	1469	1477
Line amperes	27.9	35.8	45.9	57.3	70.3	83.8	65.1

Performance Graph at 380V, 50Hz, 40.0HP Typical performance - Not guaranteed values

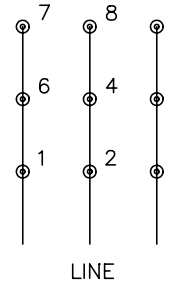




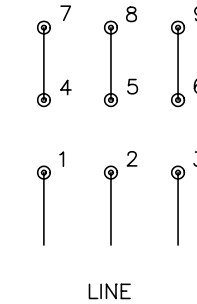
CD0180



LOW VOLTAGE
(2D)



HIGH VOLTAGE
(1D)



NOTES:

1. INTERCHANGE ANY TWO LINE LEADS TO REVERSE ROTATION.
2. OPTIONAL THERMOSTATS ARE PROVIDED WHEN SPECIFIED.
3. ACTUAL NUMBER OF INTERNAL PARALLEL CIRCUITS MAY BE A MULTIPLE OF THOSE SHOWN ABOVE.
4. LEAD COLORS ARE OPTIONAL. LEADS MUST ALWAYS BE NUMBERED AS SHOWN.

REV. DESC: REVISE TO SHOW OPTIONAL COLORS

REV. LTR: C BY: JLP

REVISED: 01/21/99 2:28

TDR: 0171435

0810D0

FILE: AAA00005148

MDL: -

MTL: -

BALDOR ELECTRIC Co.

3PH, DV, 9 LEADS, DELTA CONNECTION

CD0180