

BALDOR® • *RELIANCE*

Product Information Packet

IDBRPM362004R1

200HP, 1785/3565RPM, 460V, 3PH, TEBC, FL3698

Part Detail							
Revision:	-	Status:	PRD/A	Change #:		Proprietary:	No
Type:	AC	Prod. Type:		Elec. Spec:	L6189A	CD Diagram:	422927-001
Enclosure:	TEBC	Mfg Plant:		Mech. Spec:		Layout:	619678-001
Frame:	FL3698	Mounting:	F3	Poles:	04	Created Date:	04-09-2015
Base:		Rotation:	R	Insulation:	H	Eff. Date:	04-13-2015
Leads:						Replaced By:	
Literature:		Elec. Diagram:					

Parts List		
Part Number	Description	Quantity
WS286630	WS P36T1319	1.000 EA
RA282838	RA P36T1319	1.000 EA
000613006MY	NP-RPMAC INVERTER DUTY	1.000 EA
000692000FP	NP, WARNING LIFT INSTRUCTIONS	1.000 EA
000692000NH	LABEL DIRECTION AIR FL	1.000 EA
000692000VD	LABEL WARNING	1.000 EA
418018122A	LABEL	2.000 EA
418057747A	METAL FASTENER	8.000 EA
422927001	C/D LABEL	1.000 EA
004824015A	GREASE POLYREX EM	0.900 LB
034690002AL	1/4 SQ.HD.PIPE PLUG	1.000 EA
034690002AL	1/4 SQ.HD.PIPE PLUG	1.000 EA
035000001A	ALFTG 1/8" 1610-BL	1.000 EA
035000001A	ALFTG 1/8" 1610-BL	1.000 EA
036100090KA	HSHCS SHAFT BLOCK	4.000 EA
036100100KA	HSHCS BRACKET LE	4.000 EA
036140001E	EYEBOLT	2.000 EA
036500013AB	HX NUT,ODE BRKT	4.000 EA
036500013AB	HX NUT,ODE BRKT	4.000 EA
418150003A	GREASE FITTING CAP	2.000 EA
419912001B	W WASHER	1.000 EA
602018077A	DRAIN	1.000 EA
602018077A	DRAIN	1.000 EA
609830005AAK	TBOLT	2.000 EA

Parts List (continued)		
Part Number	Description	Quantity
609830005ADB	STUD,FRAME,FL320	2.000 EA
807585003AAA	BRKT,BE/DE,FL360,	1.000 EA
807585004AAB	BRKT,FE/ODE,FL360,	1.000 EA
000613006NT	NAME PLATE IEC	1.000 EA
032018006CK	HHCS 3/8-16X3/4L PLATED	4.000 EA
034017014AB	LCKW 3/8 STD. PLATED	4.000 EA
036000012JB	M8-1.25 X 12MM HXHDC	3.000 EA
036000012KB	M10 1.50 X 12MM HXHDCS	4.000 EA
036000016HD	HXHCS	8.000 EA
036000016JB	HHCS M8-1.25X16MMPLTD-250	4.000 EA
036000016KB	HHCSM10-1.5X16MM PLTD-280	8.000 EA
036000020JD	HHCS M8X20MM LONG 304S.S	5.000 EA
036000025KB	HHCS,BRACE C/BOX	8.000 EA
036000025LB	HHCS M12-1.75X25 PLATED	4.000 EA
036000045JB	M8-1.25 X 45MM HXHCS	4.000 EA
036150035RD	HSOSS 35MM M24 SS	2.000 EA
036600008AD	FLTWSHR,T BLK SPT	8.000 EA
036620010AB	M10 EXT. TOOTH LK WASHER	1.000 EA
417733036C	GASKT,C/BOX BACKPLATE,REF 706310063B	1.000 EA
406673002C	.75 CAP PLUG	1.000 EA
410978010E	INLET FLGE	1.000 EA
410978019A	SCREEN, INLET FLANGE	1.000 EA
417733004J	GASKT	2.000 EA
417733013B	GASKT (REK P/N 189486)	1.000 EA

Product Information Packet: IDBRPM362004R1 - 200HP,1785/3565RPM,460V,3PH,TEBC,FL3698

417733014C	GASKT (REK P/N 187215)	1.000 EA
418014004A	ADAPT 418014-4WCA	1.000 EA
418018074A	GROUND LABEL G100 METRIC 160 D.C.	1.000 EA
418057256C	HHCS M10 25MM 440 IEC	1.000 EA
610490001DG	2HP,3450//2890RPM,3PH,60//50HZ,56C,3532M	1.000 EA
611917002F	GASKT	1.000 EA
611965001A	WHEEL, BLOWER	1.000 EA
613439050A	ADAPT,C/BOX,FL360	1.000 EA
706310058B	CBCVR(REK P/N 187296)	1.000 EA
706310059C	ADAPT	1.000 EA
706310063B	CBOX (REK)	1.000 EA
708528004B	BLOWER HOUSING	1.000 EA
804815053A	COVER,FAN,FL360	1.000 EA
804815055A	PLATE,BLWR,FL360	1.000 EA
804816051A	CVR,FAN,BRACE,FL400	4.000 EA
804816054A	GUARD,BLWR,FL400	2.000 EA
000640000P	TAG WINDING THERMOST	1.000 EA
004824007K	SPECIAL PAINT	0.300 EA
034180034JA	3/4X3/4 X 41/4 L KEY	1.000 EA

REL S.O.	-	VOLTS	460	ENCLOSURE	TEBC	WYE	CONN	EQ	CKT	OHMS	PER	PHASE
FRAME	FL3698	AMPS	234	MAX SAFE RPM	3750	(AT	BASE	RATING,	25	°C)		
HP	200	DUTY	CONT	IM (AMPS)	92	R1	.0107	X1	.0887			
BASE SPEED	1785	S.F.	1.0	P.F.@NL/FL	.037/.852	R2	.00771	X2	.111			
PHASE/HERTZ	3/60	AMB °C/INSUL	40/H	WK ² (lb-ft ²)	35			XM	2.79			


RATED FULL LOAD DATA

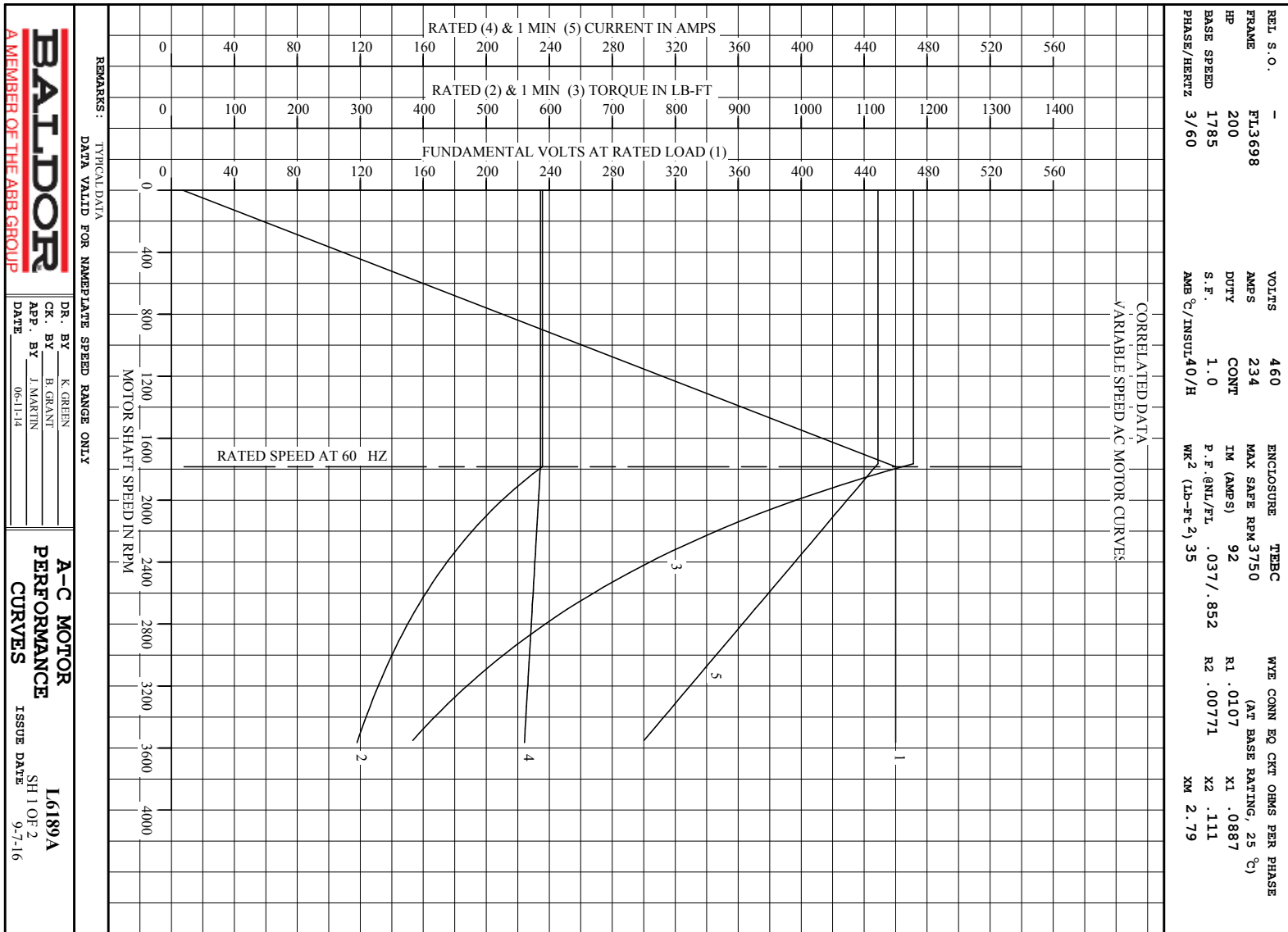
	RPM	HP	TORQUE LB-FT	FUND VOLTS	FREQ-HZ	AMPS
BASE SPEED	1784	200	589	460	60	234
MAX SPEED	3565	200	295	460	120	224
MIN SPEED	0	0	589	7.34	.546	234

LOAD PERFORMANCE AT BASE SPEED

	RPM	HP	TORQUE LB-FT	FUND VOLTS	FREQ-HZ	AMPS
NO LOAD	1800	0	0	460	60	91.3
1/4	1796	50.1	146	460	60	109
1/2	1792	100	293	460	60	143
3/4	1788	150	441	460	60	186
FULL LOAD	1784	200	589	460	60	234
O/L	1764	396	1178	460	60	449

REMARKS: TYPICAL DATA
CORRELATED DATA

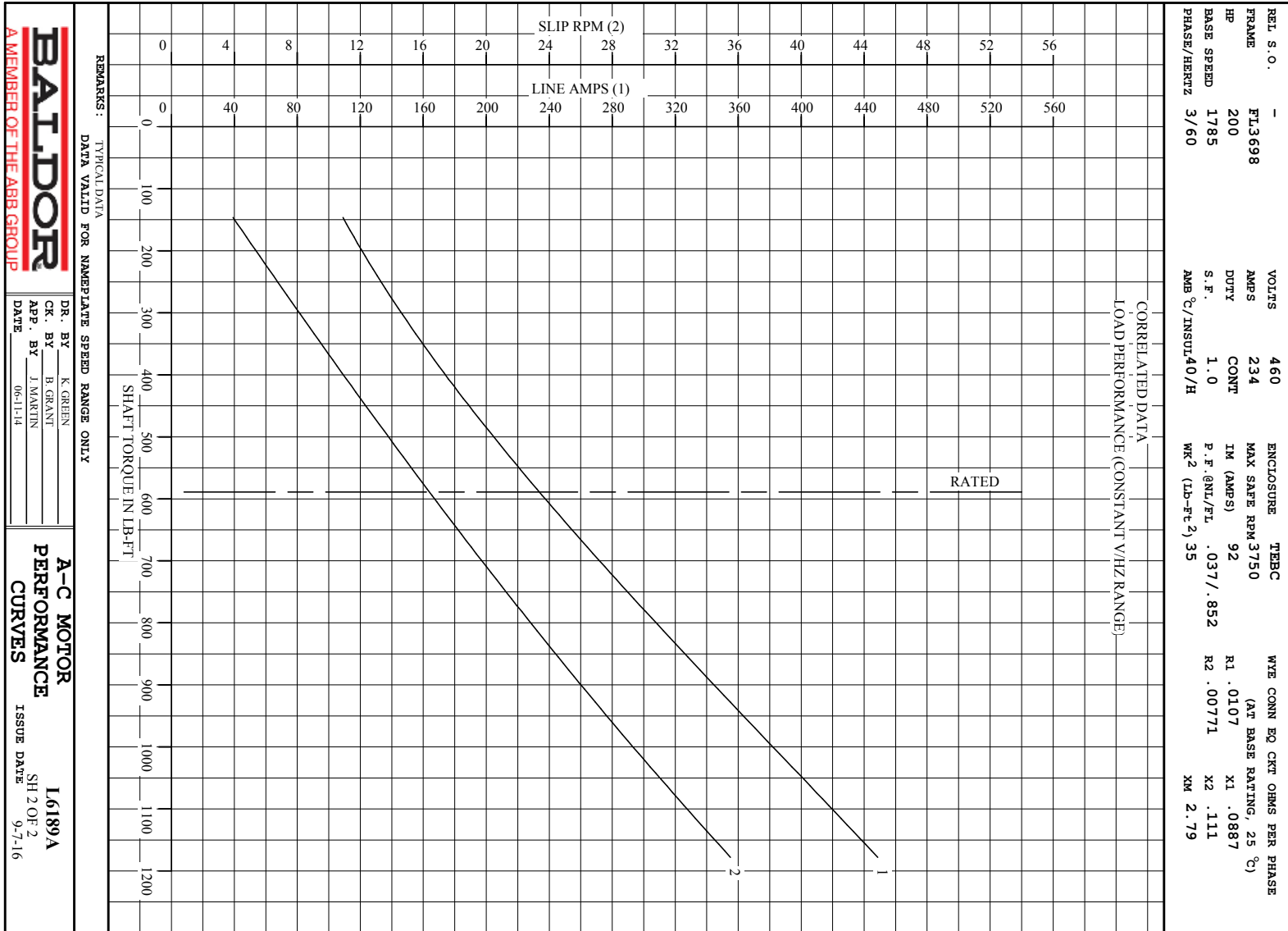
 <p>A MEMBER OF THE ABB GROUP</p>	DR. BY	K. GREEN	<p>A-C MOTOR</p> <p>PERFORMANCE I6189A</p> <p>DATA ISSUE DATE 9-7-16</p>
	CK. BY	B. GRANT	
	APP. BY	J. MARTIN	
	DATE	06-11-14	



BALDOR
A MEMBER OF THE ABB GROUP

DR. BY K GREEN
CR. BY B GRANT
APP. BY J MARTIN
DATE 06-1-14

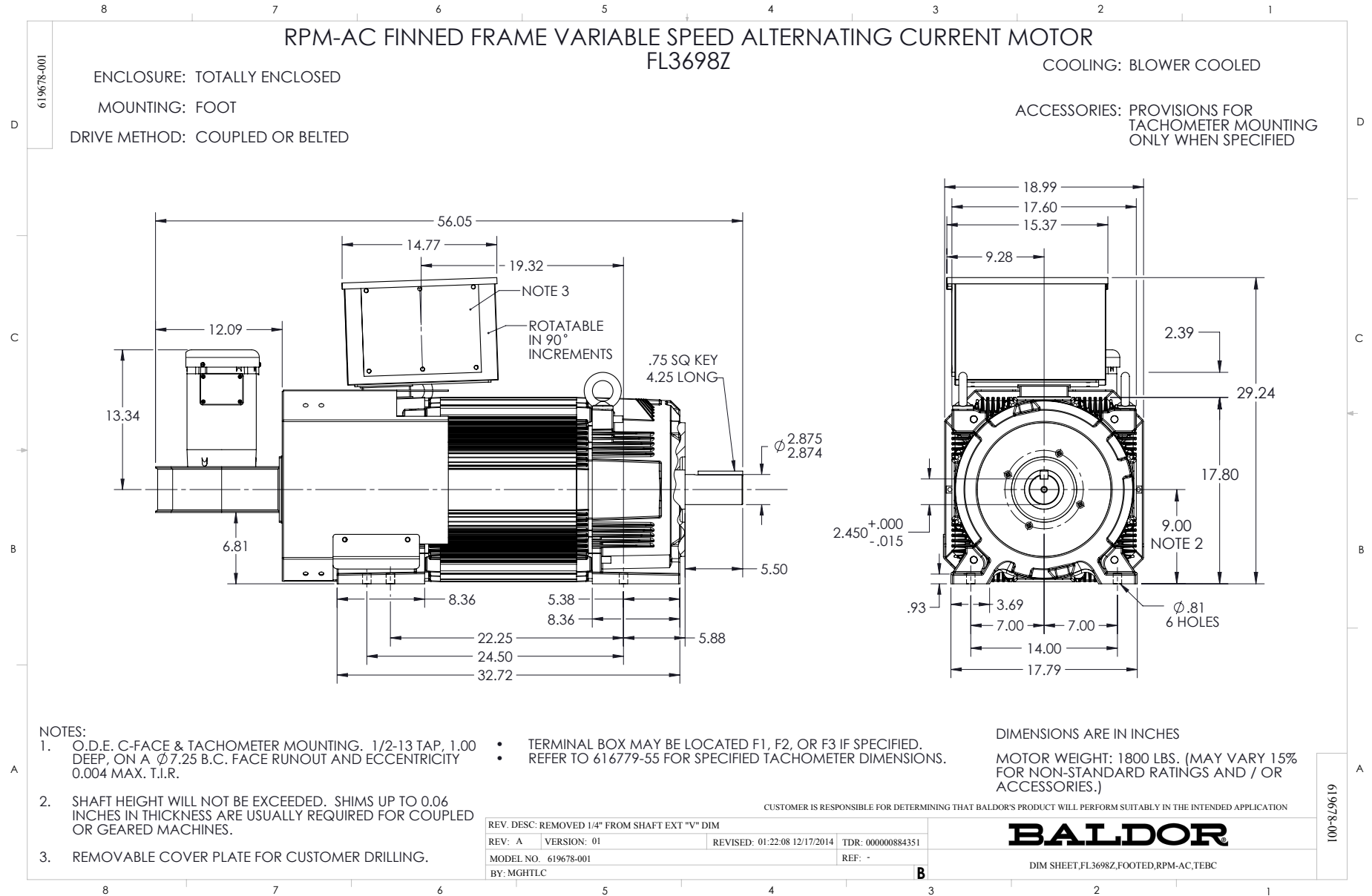
A-C MOTOR
PERFORMANCE
CURVES
ISSUE DATE 9-7-16
I6189A
SH 1 OF 2



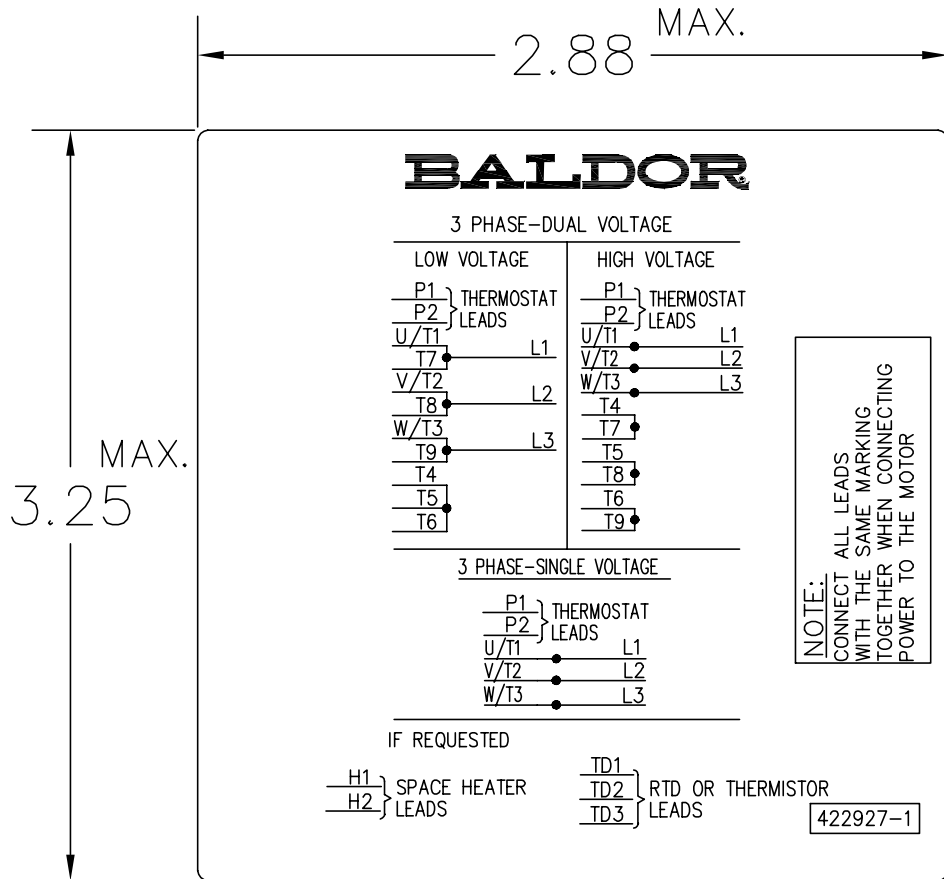
BALDOR
A MEMBER OF THE ABB GROUP

DR. BY K GREEN
CR. BY B GRANT
APP. BY J MARTIN
DATE 06-1-14

A-C MOTOR
PERFORMANCE
CURVES
I6189A
SH 2 OF 2
ISSUE DATE 9-7-16



422927-001



NOTE:
DATA TO BE SIZED
SO THAT IT FITS INTO
MATERIAL DECAL
DIMENSIONS. MAKE
LETTERS & NUMBERS
AS LARGE AS POSSIBLE.

MATERIAL: CERAMATIC DGF-P4
PERMA GRIP ADHESIVE

ALL LETTERS, NUMBERS
AND LINES TO BE BLACK
ON WHITE BACKGROUND.

NOTE:
CONNECT ALL LEADS
WITH THE SAME MARKING
TOGETHER WHEN CONNECTING
POWER TO THE MOTOR

422927-001

REV. DESC: CHANGE BACKGROUND COLOR FROM GOLD TO WHITE		
REV. LTR: B	VERSION: 02	TDR: 000000788708
FILE: \RGG\00000\203	REVISED: 08:09:29 03/04/2013	
MTL: -	BY: RGGWT	

BALDOR

EXTERNAL CONNECTION LABEL

SH 1 of 1

Marketing maintained PDF of MN406:

<http://www.baldor.com/support/Literature/Load.ashx/MN406?ManNumber=MN406>