

BALDOR® • **RELIANCE**

Product Information Packet

IDXM7570T

10HP,1760RPM,3PH,60HZ,254TC,0932M,XPFC,F

Part Detail							
Revision:	L	Status:	PRD/A	Change #:		Proprietary:	No
Type:	AC	Prod. Type:	0932M	Elec. Spec:	09WGZ875	CD Diagram:	CD0005
Enclosure:	XPFC	Mfg Plant:		Mech. Spec:	09E963	Layout:	09LYE963
Frame:	254TC	Mounting:	F1	Poles:	04	Created Date:	06-22-2012
Base:	RG	Rotation:	R	Insulation:	F	Eff. Date:	09-13-2016
Leads:	9#12					Replaced By:	
Literature:		Elec. Diagram:					

Nameplate NP0890XPSLEV									
NO.					CC	010A			
S/N					TEMP CODE	T2B			
SPEC.	09E963Z875				INV.TYPE	PWM			
CAT.NO.	IDX7570T				C HP FR	60		C HP TO	90
HP	10				CT HZ FROM	6		CT HZ TO	60
VOLTS	230/460				VT HZ FROM	6		VT HZ TO	60
AMPS	24.8/12.4				MAG CUR	10.6/5.3			
RPM	1770				MX RPM	2700			
HZ	60	PH	3	CL	F	NOM.EFF.	91.7		
SER.F.	1.00		DES	A	SL HZ	1	WK2	1.4	
FRAME	254TC		RATING	40C AMB-CONT					

Parts List		
Part Number	Description	Quantity
SA246613	SA 09E963Z875	1.000 EA
RA233504	RA 09E963Z875	1.000 EA
09FN3001D01	EXTERNAL FAN, PLASTIC	1.000 EA
MJ5000A01	SEALANT, CHICO A COMPOUND	0.050 LB
09CB1000A01SP	CONDUIT BOX, MACH	1.000 EA
10XN3118K16	5/16-18 X 1' GRADE #5, STL, ZINC PLATE	4.000 EA
HW1001A31	LOCKWASHER 5/16, ZINC PLT.591 OD, .319 I	4.000 EA
WD1000B16	T&B CX70TN TERMINAL	1.000 EA
10XN2520K06	1/4-20 X 3/8" HX HD SCREWGRADE 5, ZINC P	1.000 EA
HW1001A25	LOCKWASHER 1/4, ZINC PLT .493 OD, .255 I	1.000 EA
09EP1708A02	FACE MTD. ENDPLATE, MACH X-PROOF (NEW DE	1.000 EA
09EP1700A01	FR ENDPLATE, MACH	1.000 EA
10XN3816K28	3/8-16 X 1.75 HEX HD CAP SCREW, GRADE 5	4.000 EA
HW1001A38	LOCKWASHER 3/8, ZINC PLT .688 OD, .382 I	4.000 EA
HW5100A08	W3118-035 WVY WSHR (WB)	1.000 EA
HA2002A05	SPACER, #208 BRG	1.000 EA
10XN2520K36	1/4-20 X 2.25" HX HD SCRWGRADE 5, ZINC P	4.000 EA
HW1001A25	LOCKWASHER 1/4, ZINC PLT .493 OD, .255 I	4.000 EA
10XN3816K28	3/8-16 X 1.75 HEX HD CAP SCREW, GRADE 5	4.000 EA
HW1001A38	LOCKWASHER 3/8, ZINC PLT .688 OD, .382 I	4.000 EA
09FH1004A01	FAN COVER, MACH	1.000 EA
10XN2520K14	1/4-20 X .88 HEX GRD 5 (20001)	3.000 EA
HW1001A25	LOCKWASHER 1/4, ZINC PLT .493 OD, .255 I	3.000 EA
09CB1500A01SP	CONDUIT BOX LID, MACH	1.000 EA

Parts List (continued)		
Part Number	Description	Quantity
10XN2520K16	1/4-20 X 1" HX HD SCRW GRADE 5, ZINC P	6.000 EA
HW1001A25	LOCKWASHER 1/4, ZINC PLT .493 OD, .255 I	6.000 EA
HW2501G25	KEY, 3/8 SQ X 2.875	1.000 EA
LB1115N	LABEL,LIFTING DEVICE (ON ROLLS)	1.000 EA
LB1073	ALUM XP CAUTION LABEL	1.000 EA
MN416A01	TAG-INSTAL-MAINT no wire (1200/bx) 11/14	1.000 EA
HW4500A20	1/8NPT SL PIPE PLUG	2.000 EA
MJ1000A02	GREASE, POLYREX EM EXXON (USe 4824-15A)	0.080 LB
HW4500A20	1/8NPT SL PIPE PLUG	2.000 EA
HW2500A25	WOODRUFF KEY USA #1008 #BLOW CARBON STEE	1.000 EA
51XB1214A20	12-14X1.25 HXWSSLD SERTYB	1.000 EA
MG1025G05	WILKOFASST, 789.227, MED. GRAY CHAR. MET.	0.050 GA
85XU0407S04	4X1/4 U DRIVE PIN STAINLESS	6.000 EA
LB1119N	WARNING LABEL	1.000 EA
LC0145B01	CONNECTION LABEL	1.000 EA
NP0890XPSLEV	SS XP INV UL CSA-EEV CC CL-I GP-D	1.000 EA
40PA1005	PACKAGING GROUP, 09 STD	1.000 EA

AC Induction Motor Performance Data

Page 1 of 1



AC Induction Motor Performance Data

Record # 38931

Typical performance - not guaranteed values

Winding: 09WGZ875	Type: 0932M	Enclosure: XPFC
--------------------------	--------------------	------------------------

Nameplate Data			General Characteristics at 460 V, 60 Hz: High Volt Connection		
Rated Output (HP)	10		Full Load Torque	29.8 LB-FT	
Volts	230/460		Start Configuration	DOL	
Full Load Amps	24/12		Break Down Torque	116 LB-FT	
R.P.M.	1760		Pull-Up Torque	47.2 LB-FT	
Hz	60	Phase	Locked-rotor Torque	54.7 LB-FT	
NEMA Design Code	B	KVA Code	Starting Current	85.4 Amps	
Service Factor	1		No-load Current	5 Amps	
NEMA Nom. Eff.	91.7	P.F.	Line-line Res. @ 25°C.	0.937 Ohms	
Rating - Duty	40C AMB-CONT		Temp. Rise @ Rated Load	41°C	
S.F. Amps			Temp. Rise @ S.F. Load		

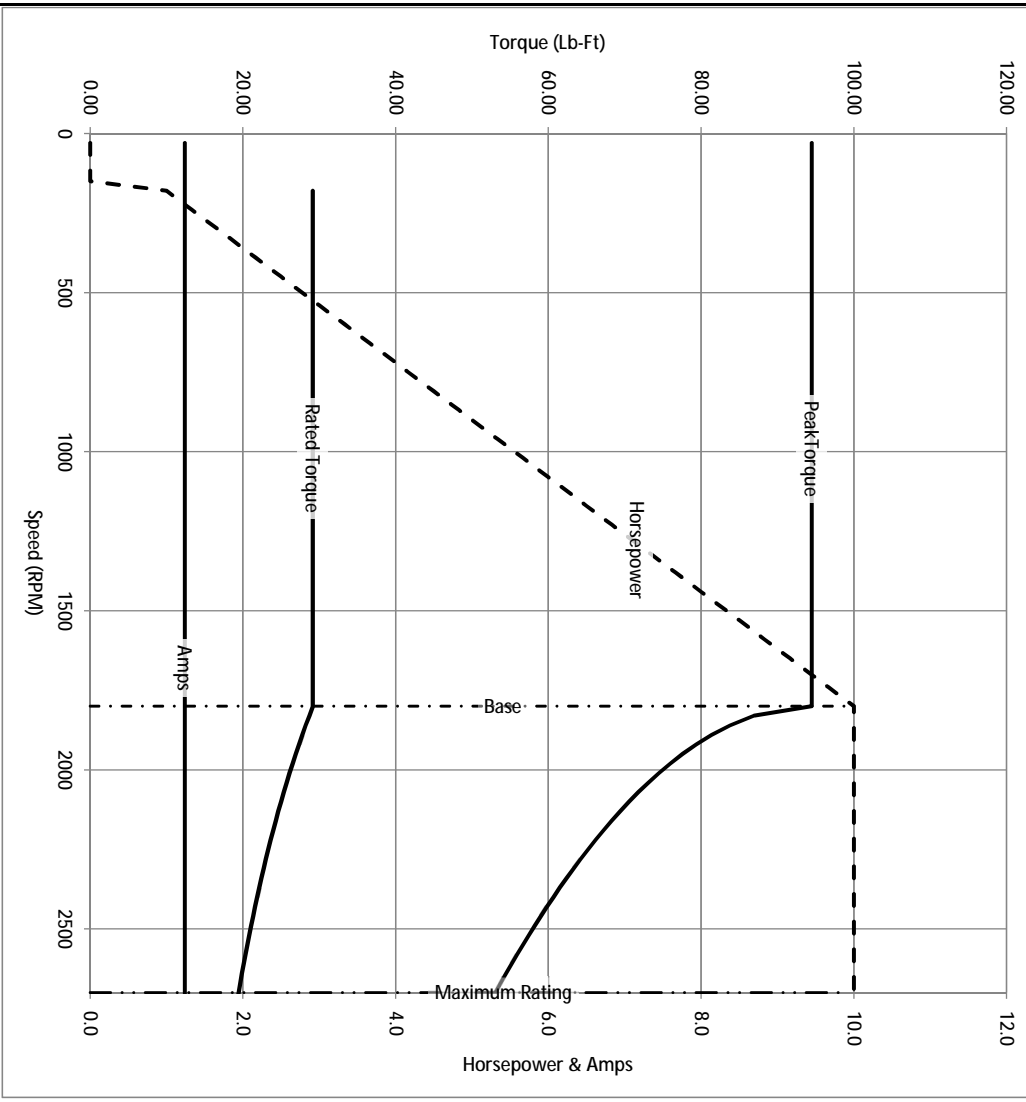
Load Characteristics at 460 Volts, 60 Hz, 10 HP

% of Rated Load	25	50	75	100	125	150	S.F.
Power Factor	48	71	80	85	86	86	
Efficiency	86.2	91	92.2	92.2	91.4	90.4	
Speed	1791	1782	1774	1764	1754	1743	
Line Amperes	5.78	7.36	9.55	12	14.8	17.8	

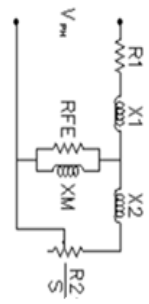
Baldor Electric Company Fort Smith, Arkansas



Catalog	IDXM7570T	NP VOLTS	230/460	ENCLOSURE	XPFC	WVE CONN EQ CRT OHMS PER PHASE (BASE RATING, 20C)
FRAME	254TC	NP AMPS	24.8/12.4	Base Volts	460	R1 0.459 X1 1.686
HP	10 HP	DUTY	Cont	Base AMPS	12.4	R2 0.329 X2 1.795
BASE SPEED	1800	MAX SAFE RPM	2700	Slip Hz	0.97	XM1 46.754
PHASE/HZ	3/60	AMB ⁰ /TNSUL	40/F	WK ² (lb-ft ²)	1.4	



Remarks: Calculated Data



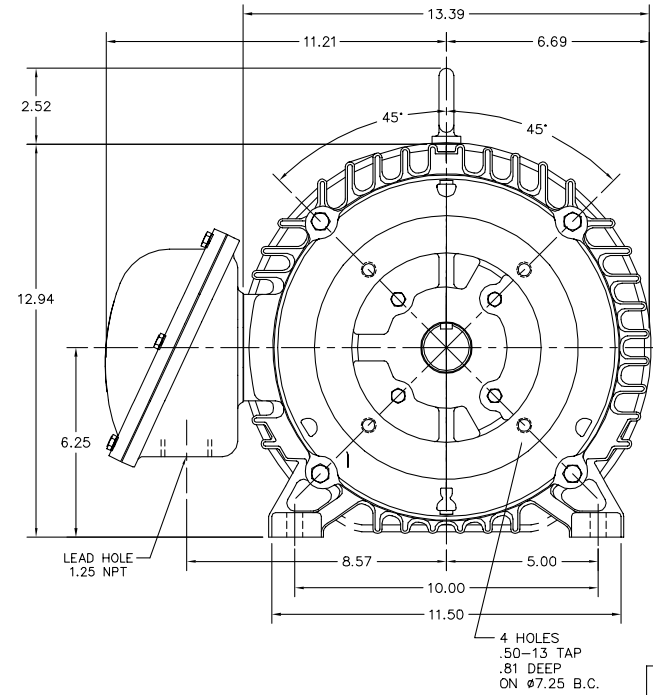
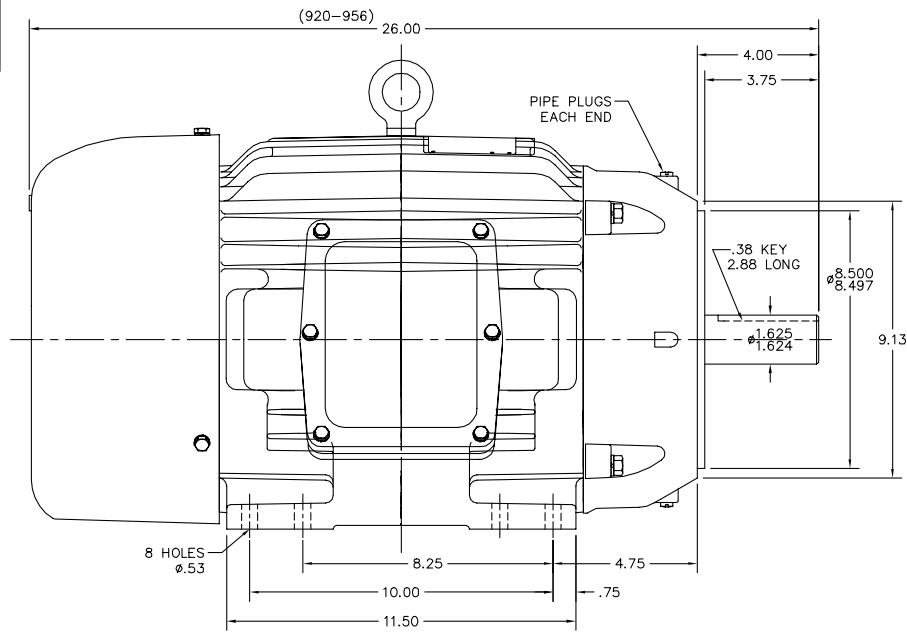
BALDOR DR BY ENR
 CK BY
 APP BY ENR
 DATE 2/28/2013

A-C MOTOR
PERFORMANCE CURVES

09E963Z875
 ISSUE DATE 2/28/2013

A MEMBER OF THE ABB GROUP

09LYE963



09LYE963

CUSTOMER IS RESPONSIBLE FOR DETERMINING THAT BALDOR'S PRODUCT WILL PERFORM SUITABLY IN THE INTENDED APPLICATION.

REV. DESC: REMOVE LOCKNUT	VERSION: 01	TDR: 000000955197
REV. LTR: A	REVISED: 02:26:22 11/30/2015	BY: ENMARSO
FILE: \AAA\00055\626		
MTL: -		

BALDOR

HOR XPFC 254-6TC; CL.1,GP.D ONLY; INVERTER DUTY

SH 1 of 1

CD0005

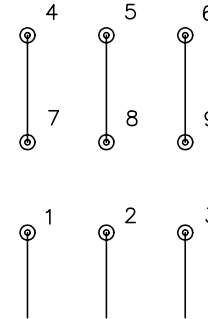


LOW VOLTAGE
(2Y)



LINE

HIGH VOLTAGE
(1Y)



LINE

NOTES:

1. INTERCHANGE ANY TWO LINE LEADS TO REVERSE ROTATION.
2. OPTIONAL THERMOSTATS ARE PROVIDED WHEN SPECIFIED.
3. ACTUAL NUMBER OF INTERNAL PARALLEL CIRCUITS MAY BE A MULTIPLE OF THOSE SHOWN ABOVE.
4. LEAD COLORS ARE OPTIONAL. LEADS MUST ALWAYS BE NUMBERED AS SHOWN.

REV. DESC: REVISE TO SHOW OPTIONAL COLORS			
REV. LTR: E	BY: JLP	REVISED: 01/19/99 10:15	TDR: 0171435
900003		FILE: AAA00005140	MDL: -
		MTL: -	

BALDOR ELECTRIC Co.

3PH, DV, 9 LEADS

CD0005