

BALDOR® • **RELIANCE**

Product Information Packet

L1177T

15HP, 1760RPM, 1PH, 60HZ, 254T, 0956LC, TEFC

Part Detail							
Revision:	Y	Status:	PRD/A	Change #:		Proprietary:	No
Type:	AC	Prod. Type:	0956LC	Elec. Spec:	09WGZ143	CD Diagram:	CD1084
Enclosure:	TEFC	Mfg Plant:		Mech. Spec:	09G373	Layout:	09LYG373
Frame:	254T	Mounting:	F1	Poles:	04	Created Date:	11-18-2005
Base:	RG	Rotation:	R	Insulation:	F	Eff. Date:	09-23-2016
Leads:	2#6 A PH 12" long,2#12 B PH Y					Replaced By:	
Literature:		Elec. Diagram:					

Nameplate NP1256L										
CAT.NO.	L1177T									
SPEC.	09G373Z143G1									
HP	15									
VOLTS	230									
AMP	60									
RPM	1760									
FRAME	254T				HZ	60			PH	1
SER.F.	1.00			CODE	E	DES	L		CLASS	F
NEMA-NOM-EFF	86.5			PF	96					
RATING	40C AMB-CONT									
CC									USABLE AT 208V	
DE	6309				ODE	6307				
ENCL	TEFC			SN						

Parts List		
Part Number	Description	Quantity
SA135806	SA 09G373Z143G1	1.000 EA
RA125532	RA 09G373Z143G1	1.000 EA
OC3050F09SP	CYL OIL CAP 50MFD/370V	2.000 EA
RE0045A12	RELAY,GE #CR453CC2BAA, 30 AMP	1.000 EA
EC1216C06SP	ELEC CAP, 216-259 MFD, 250V, 2.06D X 4.	4.000 EA
09CB3801A01	SPL CAPACITOR BOX ADAPTER	1.000 EA
09GS1003	ADAPTER GASKET MODEL 309 MOTORS	1.000 EA
10XN2520K16	1/4-20 X 1" HX HD SCRW GRADE 5, ZINC P	4.000 EA
10XN2520K12	1/4-20 X.75 GRD 5	2.000 EA
10XN2520K10	1/4-20 X 5/8" HX HD SCRW.GRADE 5, XINC P	2.000 EA
HW1001A25	LOCKWASHER 1/4, ZINC PLT .493 OD, .255 I	4.000 EA
HA6003A45	CAPAC CLAMP - CLIP (WHITE ZINC PLATED)	2.000 EA
HA6003A47	CAPAC CLAMP	1.000 EA
HA7419	SPL BRACKET FOR MTG. CONTACT TO SINGLE P	1.000 EA
51XB1016A08	10-16X 1/2HXWSSLD SERTYB	2.000 EA
11XW1032G06	10-32 X .38, TAPTITE II, HEX WSHR SLTD U	1.000 EA
WD1000B25	GND LUG, BURNDY L125HP OR T&B L125HP-BB	1.000 EA
51XW1032A06	10-32 X .38, TAPTITE II, HEX WSHR SLTD S	7.000 EA
WD1000D90	T&B RC2577FM,90 DEG INSUL. FLAG TERMINAL	2.000 EA
51XW2520A12	.25-20 X .75, TAPTITE II, HEX WSHR SLTD	4.000 EA
WD1000A03	41531 AMP FLG.TERM,4M/REEL(2.5MIL)	30.000 EA
WD1000D90	T&B RC2577FM,90 DEG INSUL. FLAG TERMINAL	1.000 EA
SP5165	MODEL 39 DOUBLE ARM STATIONARY SWITCH	1.000 EA
51XW0832A07	8-32 X .44, TAPTITE II, HEX WSHR SLTD SE	2.000 EA

Parts List (continued)		
Part Number	Description	Quantity
NS2605	SWITCH INSULATOR 09 FRAME	1.000 EA
09EP1100A120	ENDPLATE, MACH	1.000 EA
HW5100A08	W3118-035 WVY WSHR (WB)	1.000 EA
10XN2520K36	1/4-20 X 2.25" HX HD SCRWGRADE 5, ZINC P	4.000 EA
HW1001A25	LOCKWASHER 1/4, ZINC PLT .493 OD, .255 I	4.000 EA
HW1001A25	LOCKWASHER 1/4, ZINC PLT .493 OD, .255 I	4.000 EA
37CB3804A43	CONDUIT BOX MACH.	1.000 EA
37GS3015	GASKET, CAPAC BOX	1.000 EA
09EP1101A11SP	PU ENDPLATE, MACH	1.000 EA
HW4600B44	V-RING SLINGER 1.500 X 1.810 X .28 VITON	1.000 EA
HA3113A02	THRUBOLT 3/8-16 X 16.750	4.000 EA
XY3816A12	3/8-16 FINISHED NUT	4.000 EA
HW1001A38	LOCKWASHER 3/8, ZINC PLT .688 OD, .382 I	4.000 EA
09FH4000SP	FAN COVER, STAMPED	1.000 EA
HA2081A05	SPACER TUBE, 309 FAN HSG, 2.00 LONG	4.000 EA
XY3816A12	3/8-16 FINISHED NUT	4.000 EA
HW1001A38	LOCKWASHER 3/8, ZINC PLT .688 OD, .382 I	4.000 EA
37CB4509	CAPAC BOX LID, STAMPED	1.000 EA
37GS3016	GASKET, CAPAC BOX LID	1.000 EA
51XW0832A07	8-32 X .44, TAPTITE II, HEX WSHR SLTD SE	6.000 EA
HW2501G25	KEY, 3/8 SQ X 2.875	1.000 EA
LB1115N	LABEL,LIFTING DEVICE (ON ROLLS)	1.000 EA
MN416A01	TAG-INSTAL-MAINT no wire (1200/bx) 11/14	1.000 EA
HW4500A05	1669B ALEM/UNIV860 GR FTG X	1.000 EA

Product Information Packet: L1177T - 15HP,1760RPM,1PH,60HZ,254T,0956LC,TEFC

HW4500A17	317400 ALEMITE GREASE RELIEF	1.000 EA
HA4051A00	PLASTIC CAP FOR GREASE FITTING	1.000 EA
09FN2001A02	EXTERNAL FAN, MACH	1.000 EA
80XN3816L08	3/8-16 X 1/2 SET SCREW W/NYLON PATCH	1.000 EA
HA4054	SHORT T-DRAIN FITTING, .125" N.P.T.	1.000 EA
MJ1000A02	GREASE, POLYREX EM EXXON (USe 4824-15A)	0.080 LB
HW4500A03	GREASE FITTING, .125 NPT 1610(ALEMITE) 8	1.000 EA
HW4500A17	317400 ALEMITE GREASE RELIEF	1.000 EA
HA4051A00	PLASTIC CAP FOR GREASE FITTING	1.000 EA
MG1000G27	MED CHARCOAL METALLIC GREY 400-0096	0.050 GA
85XU0407S04	4X1/4 U DRIVE PIN STAINLESS	2.000 EA
LB1119N	WARNING LABEL	1.000 EA
LC0017	CONN LABEL-1 PHASE-SINGLE VOLT-REV ROTNO	1.000 EA
NP1256L	ALUM UL CSA CC	1.000 EA
40PA1005	PACKAGING GROUP, 09 STD	1.000 EA

Accessories		
Part Number	Description	Multiplier
09-1309	C FACE KIT	A8

AC Induction Motor Performance Data

Record # 21347 - Typical performance - not guaranteed values

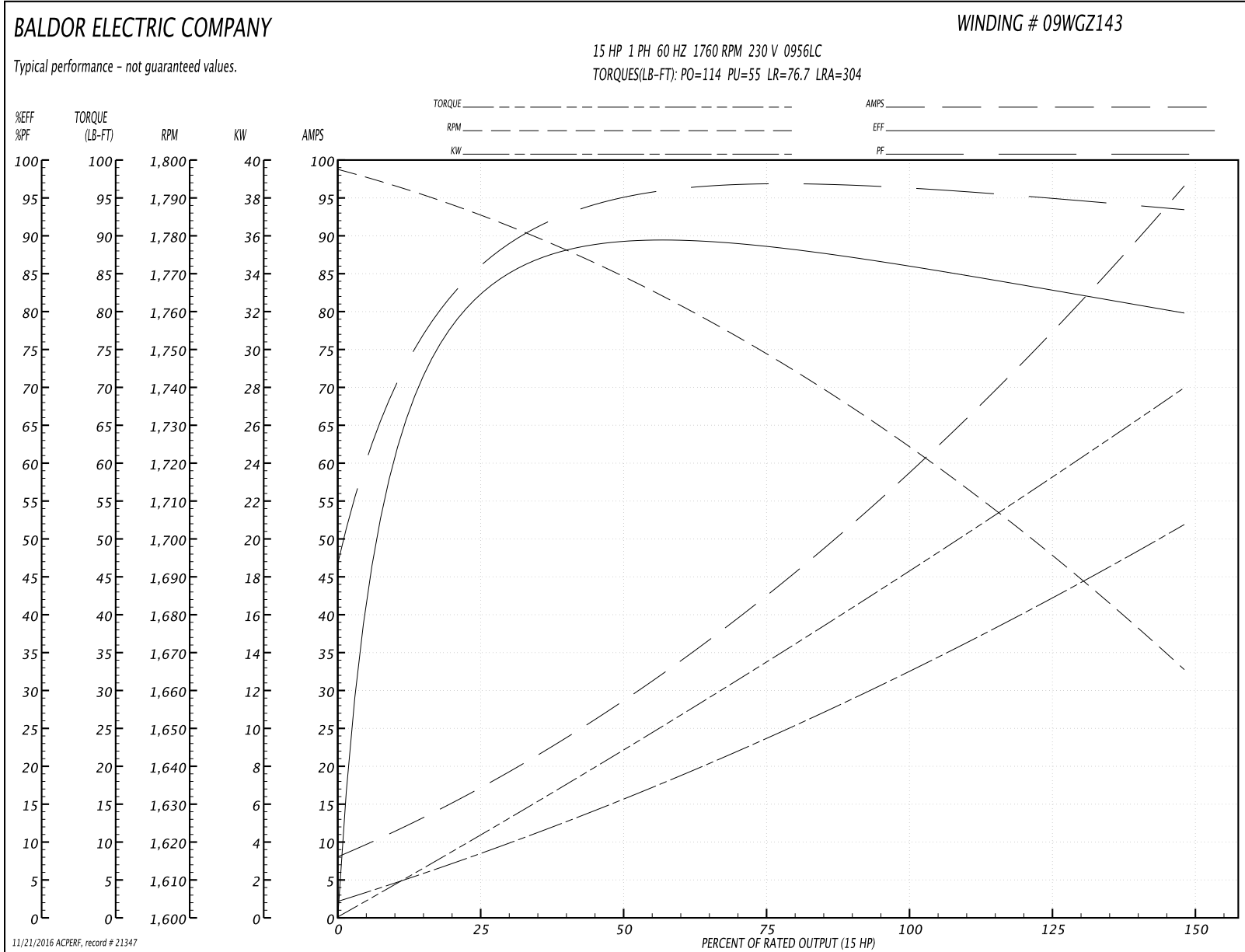
Winding: 09WGZ143-R001	Type: 0956LC	Enclosure: TEFC
-------------------------------	---------------------	------------------------

Nameplate Data				230 V, 60 Hz: Single Voltage Motor	
Rated Output (HP)	15			Full Load Torque	45.3 LB-FT
Volts	230			Start Configuration	direct on line
Full Load Amps	60			Breakdown Torque	114 LB-FT
R.P.M.	1760			Pull-up Torque	55 LB-FT
Hz	60	Phase	1	Locked-rotor Torque	76.7 LB-FT
NEMA Design Code	L	KVA Code	E	Starting Current	304 A
Service Factor (S.F.)	1			No-load Current	7.93 A
NEMA Nom. Eff.	86.5	Power Factor	96	Line-line Res. @ 25°C	0.11 Ω A Ph 0.415 Ω B Ph
Rating - Duty	40C AMB-CONT			Temp. Rise @ Rated Load	80°C

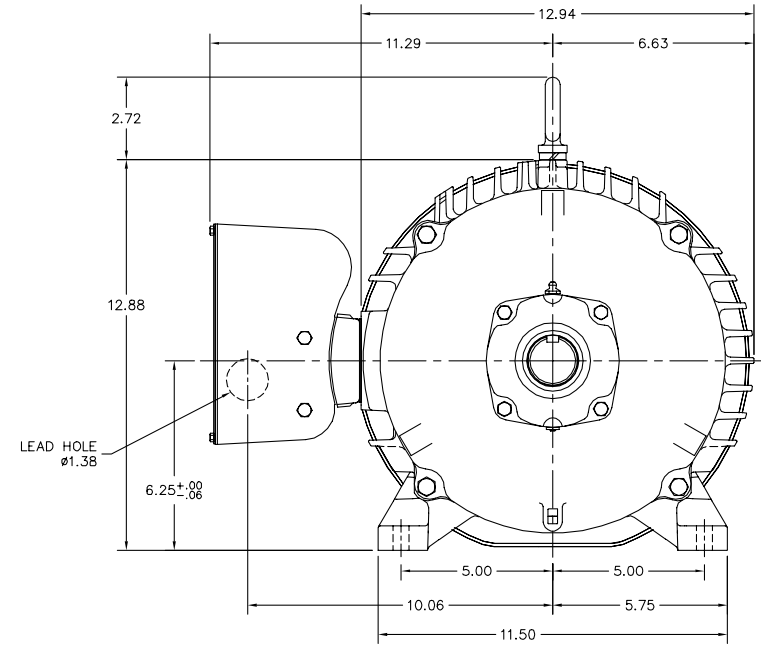
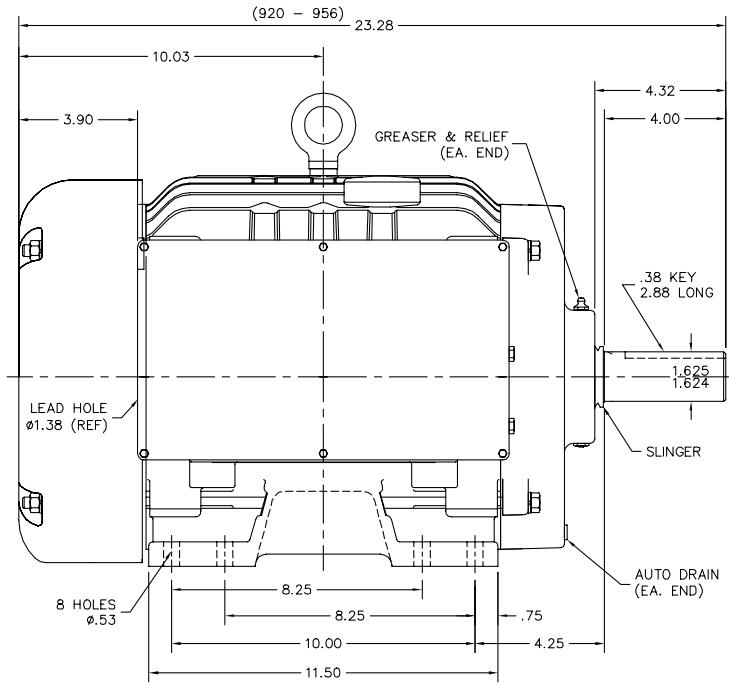
Load Characteristics 230 V, 60 Hz, 15 HP

% of Rated Load	25	50	75	100	125	150
Power Factor	89	95	96	96	95	94
Efficiency	80.5	87.6	88.3	86.9	83.8	79.3
Speed	1784	1768	1749	1727	1698	1664
Line amperes	17	29	42.7	57.9	75.8	97.2

Performance Graph at 230V, 60Hz, 15.0HP Typical performance - Not guaranteed values



09LYG373



09LYG373

CUSTOMER IS RESPONSIBLE FOR DETERMINING THAT BALDOR'S PRODUCT WILL PERFORM SUITABLY IN THE INTENDED APPLICATION.

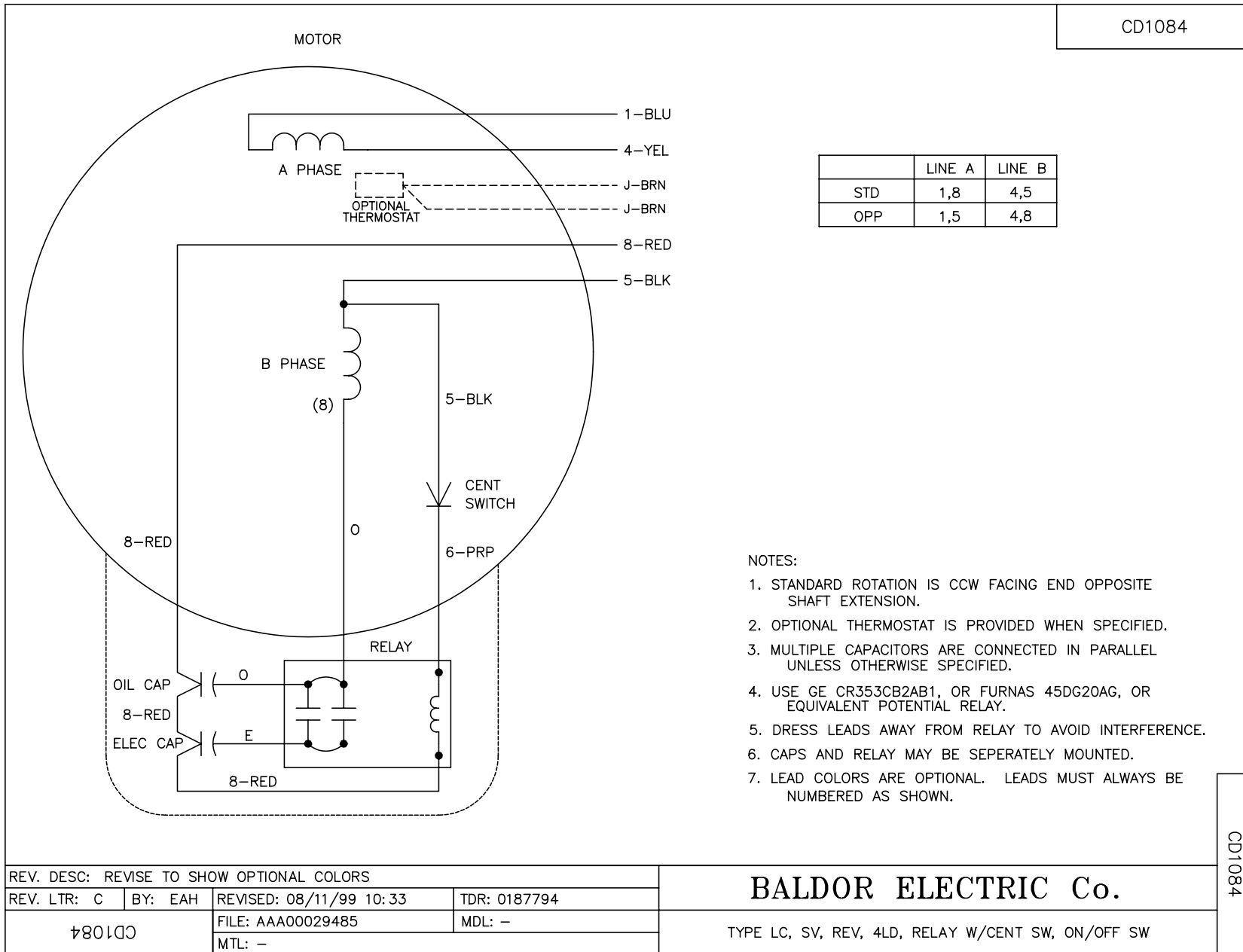
REV. DESC: REMOVE LOCKNUT		
REV. LTR: D	VERSION: 04	TDR: 000000955506
FILE: \AAA\00115\156	REVISED: 03:27:44 12/01/2015	BY: ENMARSO
MTL: -		

BALDOR

HOR TEFC 254-6T LC W/ROTATING SWITCH, 4 POLE

SH 1 of 1

CD1084



REV. DESC: REVISE TO SHOW OPTIONAL COLORS			
REV. LTR: C	BY: EAH	REVISED: 08/11/99 10:33	TDR: 0187794
†8010C		FILE: AAA00029485	MDL: -
		MTL: -	

BALDOR ELECTRIC Co.

TYPE LC, SV, REV, 4LD, RELAY W/CENT SW, ON/OFF SW

CD1084