

# **BALDOR**® • ***RELIANCE***

## **Product Information Packet**

# **L3516TM**

**2HP,1730RPM,1PH,60HZ,56HZ,3528LC,TEFC,F1**

Part Detail							
Revision:	N	Status:	PRD/A	Change #:		Proprietary:	No
Type:	AC	Prod. Type:	3528LC	Elec. Spec:	35WGP239	CD Diagram:	CD0002A02
Enclosure:	TEFC	Mfg Plant:		Mech. Spec:	35J674	Layout:	35LYJ674
Frame:	56HZ	Mounting:	F1	Poles:	04	Created Date:	03-22-2006
Base:	RG	Rotation:	R	Insulation:	F	Eff. Date:	08-28-2015
Leads:	2#16 A PH,3#18 B&J					Replaced By:	
Literature:		Elec. Diagram:					

Nameplate NP1257L	
CAT.NO.	L3516TM
SPEC.	35J674P239
HP	2
VOLTS	208-230
AMP	8.8-8.1
RPM	1740
FRAME	56HZ
	HZ 60
	PH 1
SER.F.	1.15
	CODE H
	DES L
	CL F
NEMA-NOM-EFF	82.5
	PF 97
RATING	40C AMB-CONT
CC	USABLE AT 208V
DE	6205
	ODE 6203
ENCL	TEFC
	SN

Parts List		
Part Number	Description	Quantity
SA140525	SA 35J674P239	1.000 EA
RA129917	RA 35J674P239	1.000 EA
OC3030F11SP	CYL OIL CAP 30MFD/370V	1.000 EA
TPCRT38CA	THERMAL 1PH 1.00 MAN 105C	1.000 EA
EC1189C06SP	ELEC CAP, 189-227 MFD, 250V, 2.06D X 4.	1.000 EA
35FN3002A05	EXFN, PLASTIC, 6.376 OD, .638 ID	1.000 EA
TP5059	GENERIC THERMAL KIT	1.000 EA
NS2512A01	INSULATOR, CONDUIT BOX X	1.000 EA
35CB3007A17	35 CB .88 DIA @ 6:00, 1.00 MTO @ 3:00	1.000 EA
36GS1000	GASKET-CONDUIT BOX, .06 THICK #SV-330 LE	1.000 EA
51XB1016A07	10-16 X 7/16 HXWSSLD SERTYB	2.000 EA
HA6015A02	THERMAL RETAINER (PLATED)	1.000 EA
NS2500A02	INSULATOR, MAN THER PROT	1.000 EA
51XB1214A10	12-14 X 5/8HX WS SL SR TYBX	2.000 EA
11XW1032G06	10-32 X .38, TAPTITE II, HEX WSHR SLTD U	1.000 EA
35EP3100M02	FREP TEFC 203 BRG W/O GRSSR (RAISED FH MT	1.000 EA
51XW0832A07	8-32 X .44, TAPTITE II, HEX WSHR SLTD SE	2.000 EA
NS2501A02	INSULATOR, CAPACITOR BOX	1.000 EA
35CB3801	CAPACITOR COVER, CAST	1.000 EA
34GS3002	GASKET, CAPACITOR BOX	1.000 EA
51XB1016A08	10-16X 1/2HXWSSLD SERTYB	2.000 EA
HA7010	CAPACITOR RETENTION CLAMP	1.000 EA
HW5100A03SP	WAVY WASHER (W1543-017)	1.000 EA
35EP3101A02SP	STD PU ENDPLATE-ENCL-205 BRG LESS GREASE	1.000 EA

<b>Parts List (continued)</b>		
<b>Part Number</b>	<b>Description</b>	<b>Quantity</b>
XY1032A02	10-32 HEX NUT DIRECTIONAL SERRATION	4.000 EA
51XB1214A16	12-14X1.00 HXWSSLD SERTYB	1.000 EA
35FH4005A32SP	IEC FH NO GRSR W/3 HOLES - PRIMED	1.000 EA
51XW1032A06	10-32 X .38, TAPTITE II, HEX WSHR SLTD S	3.000 EA
35CB4521GX	CONDUIT BOX LID KIT	1.000 EA
51XW0832A07	8-32 X .44, TAPTITE II, HEX WSHR SLTD SE	4.000 EA
HW2501D13	KEY, 3/16 SQ X 1.375	1.000 EA
HA7000A01	KEY RETAINER 7/8" DIA SHAFT	1.000 EA
85XU0407S04	4X1/4 U DRIVE PIN STAINLESS	2.000 EA
WD1000A15	3-520132-2 AMP FLAG (4M/RL NON-CANC/NON-	4.000 EA
MJ1000A02	GREASE, POLYREX EM EXXON (USe 4824-15A)	0.050 LB
MG1000G27	MED CHARCOAL METALLIC GREY 400-0096	0.017 GA
HA3100A18	THRUBOLT 10-32 X 9.250	4.000 EA
SP5181A01	MODEL 35 LC TORQ STAT SWITCH LEAD ASSY	1.000 EA
LB1119N	WARNING LABEL	1.000 EA
LB1087	LABEL,MANUAL RESET (ROLL LABEL)	1.000 EA
LC0002	CONNECTION LABEL	1.000 EA
NP1257L	ALUM UL CSA CC THERMAL REV MTG	1.000 EA
35PA1066	PKG GRP, PRINT PK1008A06	1.000 EA
MN416A01	TAG-INSTAL-MAINT no wire (1200/bx) 11/14	1.000 EA

<b>Accessories</b>		
<b>Part Number</b>	<b>Description</b>	<b>Multiplier</b>
35-8762	C FACE KIT	A8
35EP1506A01SP	D-FLANGE KIT	A8

**AC Induction Motor Performance Data**

Record # 23719 - Typical performance - not guaranteed values

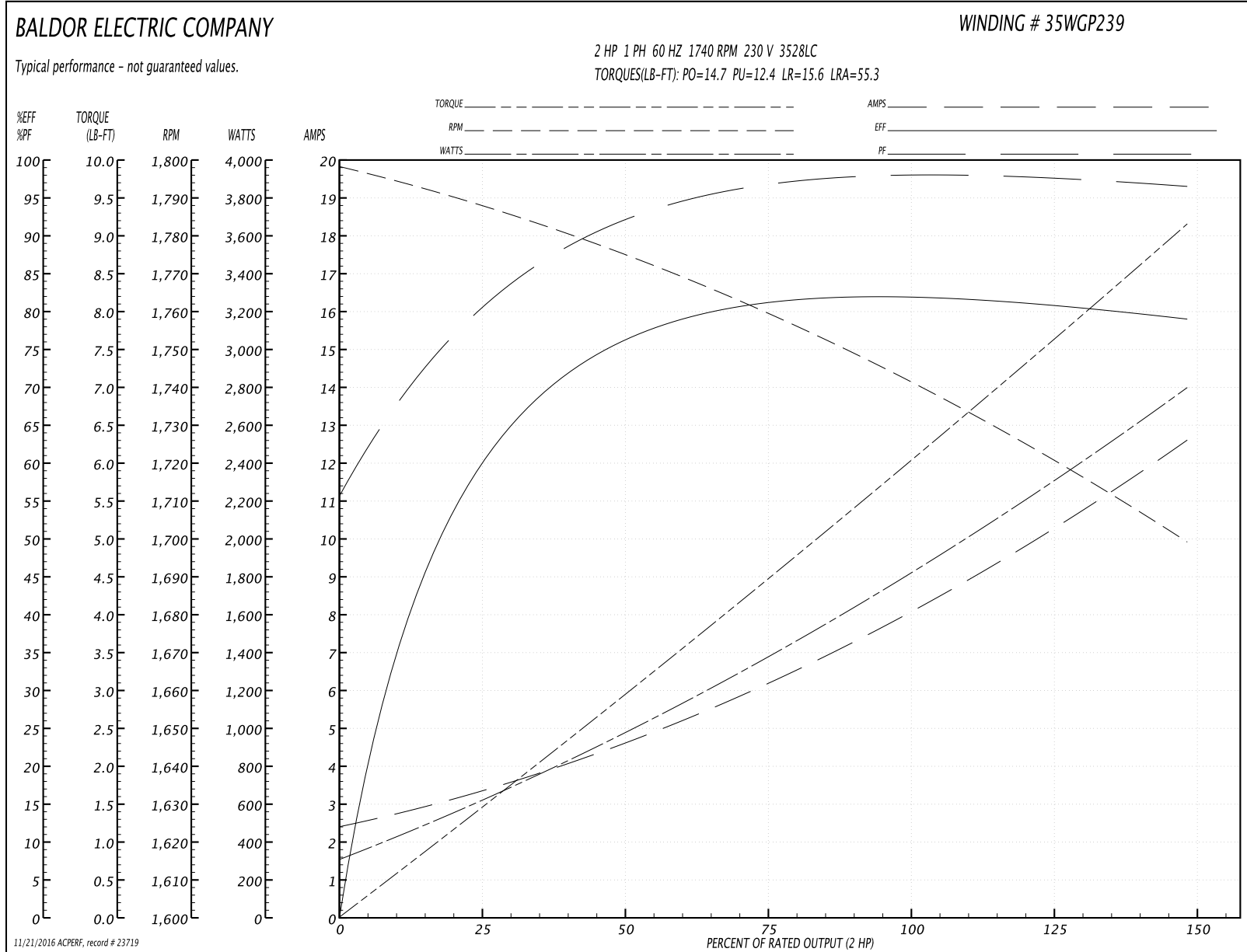
<b>Winding:</b> 35WGP239-R001	<b>Type:</b> 3528LC	<b>Enclosure:</b> TEFC
-------------------------------	---------------------	------------------------

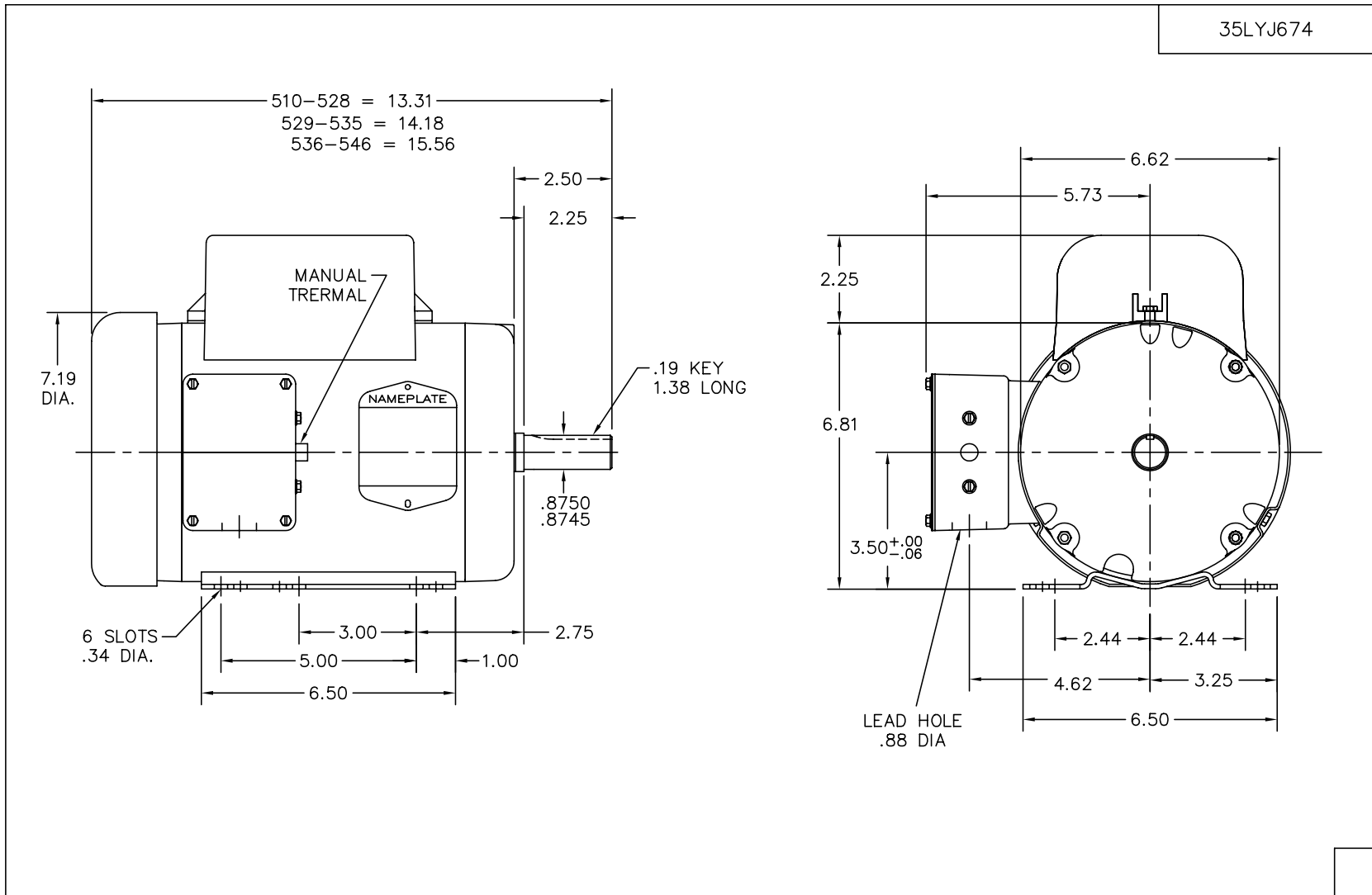
Nameplate Data				230 V, 60 Hz: Single Voltage Motor	
Rated Output (HP)	2			Full Load Torque	5.96 LB-FT
Volts	230			Start Configuration	direct on line
Full Load Amps	8.1			Breakdown Torque	14.7 LB-FT
R.P.M.	1740			Pull-up Torque	12.4 LB-FT
Hz	60	Phase	1	Locked-rotor Torque	15.6 LB-FT
NEMA Design Code	L	KVA Code	H	Starting Current	55.3 A
Service Factor (S.F.)	1.15			No-load Current	2.46 A
NEMA Nom. Eff.	82.5	Power Factor	97	Line-line Res. @ 25°C	1.49 Ω A Ph 3.23 Ω B Ph
Rating - Duty	40C AMB-CONT			Temp. Rise @ Rated Load	76°C
S.F. Amps				Temp. Rise @ S.F. Load	95°C

Load Characteristics 230 V, 60 Hz, 2 HP

% of Rated Load	25	50	75	100	125	150	S.F.
Power Factor	83	93	96	97	98	97	98
Efficiency	58.2	74.9	80.7	82.7	81.4	78.6	81.9
Speed	1788	1775	1760	1743	1723	1698	1731
Line amperes	3.22	4.5	6.17	7.99	10.2	12.6	9.32

Performance Graph at 230V, 60Hz, 2.0HP Typical performance - Not guaranteed values





35LYJ674

CUST. NAME		CUST. P.O.		CERTIFIED BY		MODEL		INSUL		AMB		
H.P.		MTG		TYPE		R.P.M.		VOLTS		ENCL		
PHASE		FREQ		FRAME		REV. DESC: CHG'D CONDUIT BOX AND LID (SEE EC09)						
REV. LTR: F		BY: JED		REVISED: 04/12/99 10:17		TDR: 0171807						
FILE: AAA00014082		MDL: -						<b>BALDOR ELECTRIC Co.</b>				
MTL: -		HORZ 56/56HZ W/143-145T SHAFT & 1" MTO										

35LYJ674

CD0002A02

