

BALDOR® • ***RELIANCE***

Product Information Packet

M1209T

7.5/1.9HP, 1725/850RPM, 3PH, 60HZ, 215T

| Part Detail | | | | | | | |
|-------------|------|----------------|-------|-------------|----------|---------------|------------|
| Revision: | Y | Status: | PRD/A | Change #: | | Proprietary: | No |
| Type: | AC | Prod. Type: | 3735M | Elec. Spec: | 37WGW656 | CD Diagram: | CD0032 |
| Enclosure: | OPEN | Mfg Plant: | | Mech. Spec: | 37B001 | Layout: | 37LYB001 |
| Frame: | 215T | Mounting: | F1 | Poles: | 04/08 | Created Date: | |
| Base: | RG | Rotation: | R | Insulation: | B | Eff. Date: | 06-30-2015 |
| Leads: | 6#14 | | | | | Replaced By: | |
| Literature: | | Elec. Diagram: | | | | | |

| Nameplate NP1256L | | | | | | | | | | |
|-------------------|--------------|--|------|---|-----|------|--|-------|----------------|---|
| CAT.NO. | M1209T | | | | | | | | | |
| SPEC. | 37B01W656 | | | | | | | | | |
| HP | 7.5/1.9 | | | | | | | | | |
| VOLTS | 460 | | | | | | | | | |
| AMP | 10/3.8 | | | | | | | | | |
| RPM | 1725/850 | | | | | | | | | |
| FRAME | 215T | | | | HZ | 60 | | | PH | 3 |
| SER.F. | 1.15 | | CODE | H | DES | B | | CLASS | B | |
| NEMA-NOM-EFF | | | PF | | | | | | | |
| RATING | 40C AMB-CONT | | | | | | | | | |
| CC | | | | | | | | | USABLE AT 208V | |
| DE | 6307 | | | | ODE | 6206 | | | | |
| ENCL | OPEN | | SN | | | | | | | |

| Parts List | | |
|---------------|------------------------------------------|----------|
| Part Number | Description | Quantity |
| SA030361 | SA 37B01W656 | 1.000 EA |
| RA026402 | RA 37B01W656 | 1.000 EA |
| HW3200A01 | 3/8-16X3/4 I-BLT WELDED F/S | 1.000 EA |
| 37CB3006 | 37 CB CASTING W/1.38 LEAD HOLE @ 6:00 | 1.000 EA |
| 51XW2520A12 | .25-20 X .75, TAPTITE II, HEX WSHR SLTD | 2.000 EA |
| 11XW1032G06 | 10-32 X .38, TAPTITE II, HEX WSHR SLTD U | 1.000 EA |
| 37EP3200A01SP | FR ENDPLATE, FOR ROUTING PURPOSES | 1.000 EA |
| HW4500A01 | 1641B(ALEMITE)400 UNIV, GREASE FITT | 1.000 EA |
| HW5100A06 | W2420-025 WVY WSHR (WB) | 1.000 EA |
| 37PE3201A01 | PU ENDPLATE ASSEMBLY FOR ROUTING | 1.000 EA |
| HW4500A01 | 1641B(ALEMITE)400 UNIV, GREASE FITT | 1.000 EA |
| XY3118A12 | 5/16-18 HEX NUT DIRECTIONAL SERRATION | 4.000 EA |
| 37CB4516 | LIPPED LID FOR 37 FRAME NEC KOBX | 1.000 EA |
| 51XW0832A07 | 8-32 X .44, TAPTITE II, HEX WSHR SLTD SE | 4.000 EA |
| HW2501F21 | KEY, 5/16 SQ X 2.375 | 1.000 EA |
| HA7000A02 | KEY RETAINER RING, 1 1/8 DIA, 1 3/8 DIA | 1.000 EA |
| 85XU0407S04 | 4X1/4 U DRIVE PIN STAINLESS | 2.000 EA |
| LB1115N | LABEL,LIFTING DEVICE (ON ROLLS) | 1.000 EA |
| MJ1000A02 | GREASE, POLYREX EM EXXON (USe 4824-15A) | 0.050 LB |
| MG1000G27 | MED CHARCOAL METALLIC GREY 400-0096 | 0.028 GA |
| HA3104A14 | THRUBOLT- 5/16-18 X12.125(OHIO) | 4.000 EA |
| LB1119N | WARNING LABEL | 1.000 EA |
| LC0032 | CONNECTION LABEL | 1.000 EA |
| NP1256L | ALUM UL CSA CC | 1.000 EA |

| Parts List (continued) | | |
|-------------------------------|------------------------------------------|-----------------|
| Part Number | Description | Quantity |
| 36PA1001 | PKG GRP, PRINT PK1017A06 | 1.000 EA |
| MN416A01 | TAG-INSTAL-MAINT no wire (1200/bx) 11/14 | 1.000 EA |

| Accessories | | |
|--------------------|--------------------|-------------------|
| Part Number | Description | Multiplier |
| 37-1404 | C FACE KIT | A8 |

AC Induction Motor Performance Data

Record # 11896 - Typical performance - not guaranteed values

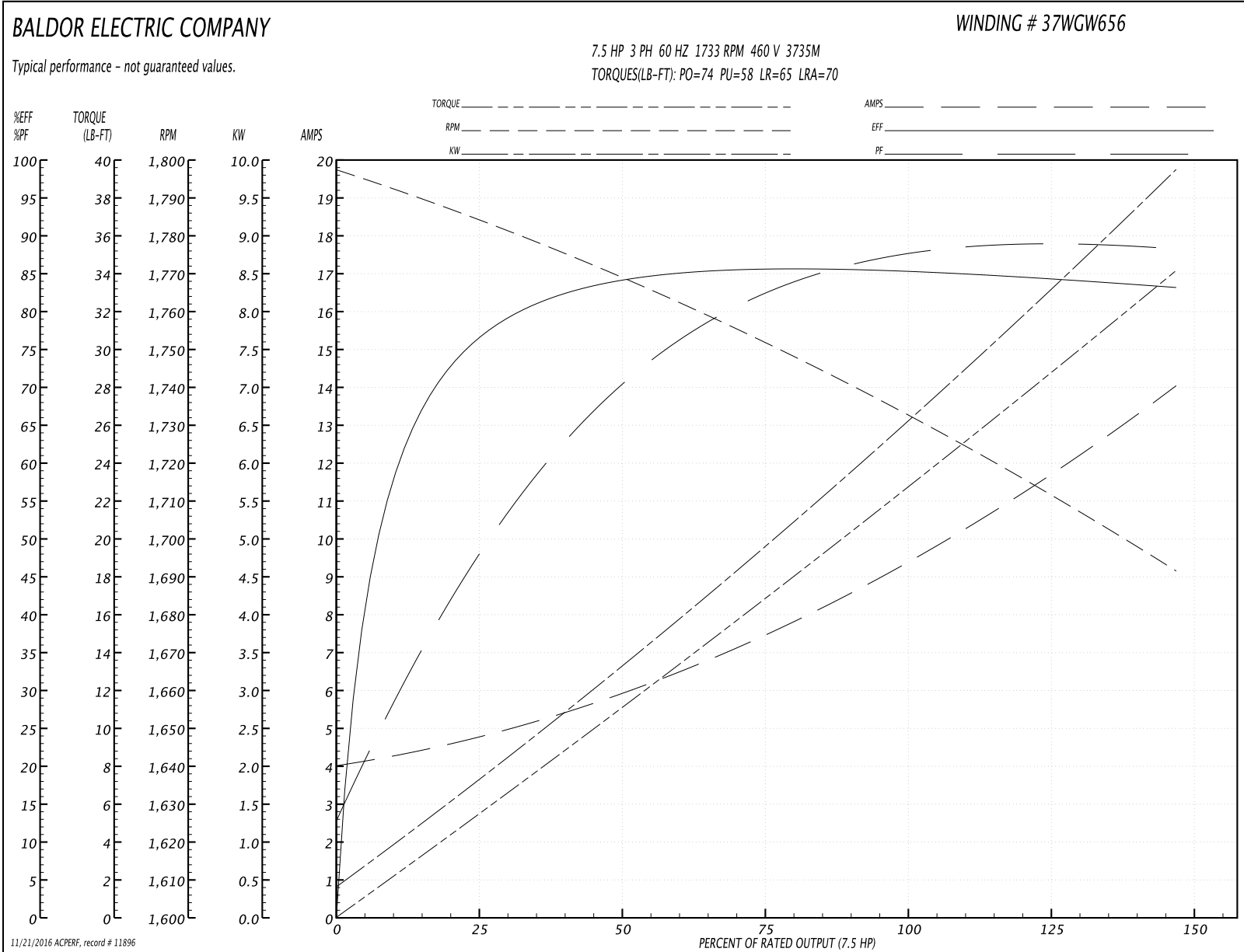
| | | |
|-------------------------------|--------------------|------------------------|
| Winding: 37WGW656-R001 | Type: 3735M | Enclosure: OPEN |
|-------------------------------|--------------------|------------------------|

| Nameplate Data | | | | 460 V, 60 Hz: High Speed Connection | |
|-----------------------|--------------|--------------|---|----------------------------------------|----------------|
| Rated Output (HP) | 7.5/1.9 | | | Full Load Torque | 22.8 LB-FT |
| Volts | 460 | | | Start Configuration | direct on line |
| Full Load Amps | 10/3.8 | | | Breakdown Torque | 74 LB-FT |
| R.P.M. | 1725/850 | | | Pull-up Torque | 58 LB-FT |
| Hz | 60 | Phase | 3 | Locked-rotor Torque | 65 LB-FT |
| NEMA Design Code | B | KVA Code | J | Starting Current | 70 A |
| Service Factor (S.F.) | 1.15 | | | No-load Current | 4.1 A |
| NEMA Nom. Eff. | 0 | Power Factor | 0 | Line-line Res. @ 25°C | 2.08 Ω |
| Rating - Duty | 40C AMB-CONT | | | Temp. Rise @ Rated Load | 59°C |
| S.F. Amps | | | | Temp. Rise @ S.F. Load | 74°C |

Load Characteristics 460 V, 60 Hz, 7.5 HP

| % of Rated Load | 25 | 50 | 75 | 100 | 125 | 150 | S.F. |
|-----------------|------|------|------|------|------|------|------|
| Power Factor | 50 | 71 | 82 | 87 | 89 | 91 | 0 |
| Efficiency | 76.3 | 83.9 | 85.6 | 85.5 | 84.6 | 83 | 0 |
| Speed | 1783 | 1768 | 1751 | 1733 | 1713 | 1691 | 0 |
| Line amperes | 4.7 | 5.9 | 7.6 | 9.5 | 11.6 | 14 | 10.8 |

Performance Graph at 460V, 60Hz, 7.5HP Typical performance - Not guaranteed values



AC Induction Motor Performance Data

Record # 11897 - Typical performance - not guaranteed values

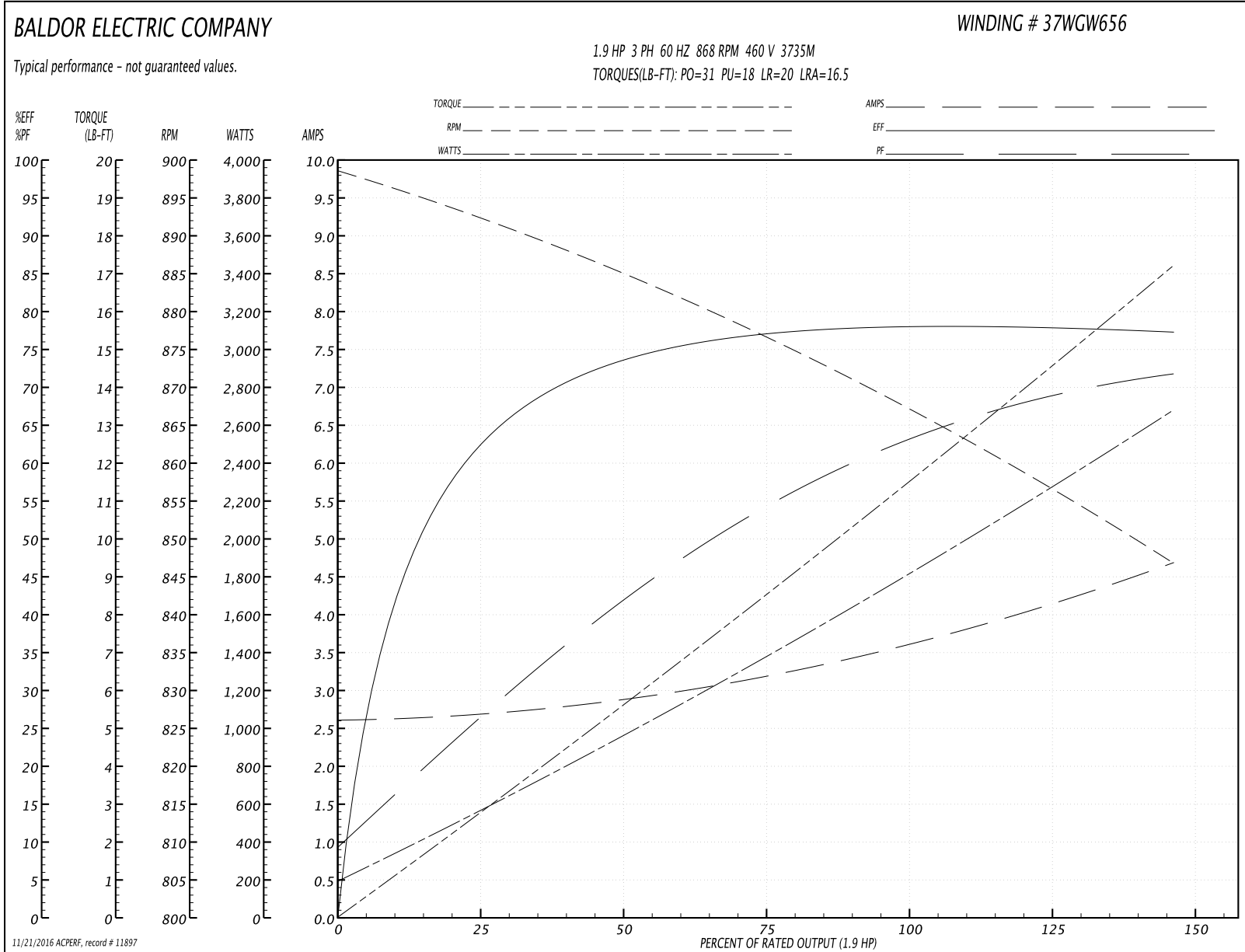
| | | |
|-------------------------------|--------------------|------------------------|
| Winding: 37WGW656-R001 | Type: 3735M | Enclosure: OPEN |
|-------------------------------|--------------------|------------------------|

| Nameplate Data | | | | 460 V, 60 Hz: Low Speed Connection | |
|-----------------------|--------------|--------------|---|---------------------------------------|----------------|
| Rated Output (HP) | 7.5/1.9 | | | Full Load Torque | 11.5 LB-FT |
| Volts | 460 | | | Start Configuration | direct on line |
| Full Load Amps | 10/3.8 | | | Breakdown Torque | 31 LB-FT |
| R.P.M. | 1725/850 | | | Pull-up Torque | 18 LB-FT |
| Hz | 60 | Phase | 3 | Locked-rotor Torque | 20 LB-FT |
| NEMA Design Code | B | KVA Code | J | Starting Current | 16.5 A |
| Service Factor (S.F.) | 1.15 | | | No-load Current | 2.6 A |
| NEMA Nom. Eff. | 0 | Power Factor | 0 | Line-line Res. @ 25°C | 11.6 Ω |
| Rating - Duty | 40C AMB-CONT | | | Temp. Rise @ Rated Load | 49°C |
| S.F. Amps | | | | Temp. Rise @ S.F. Load | 63°C |

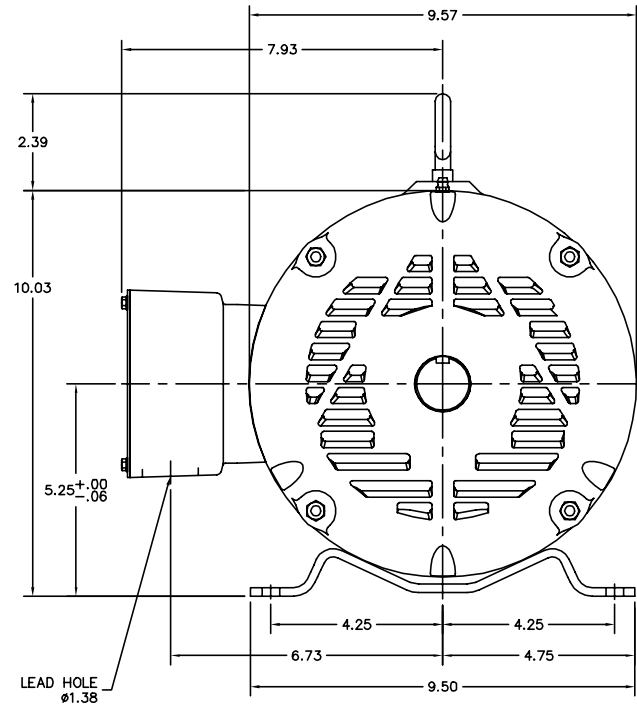
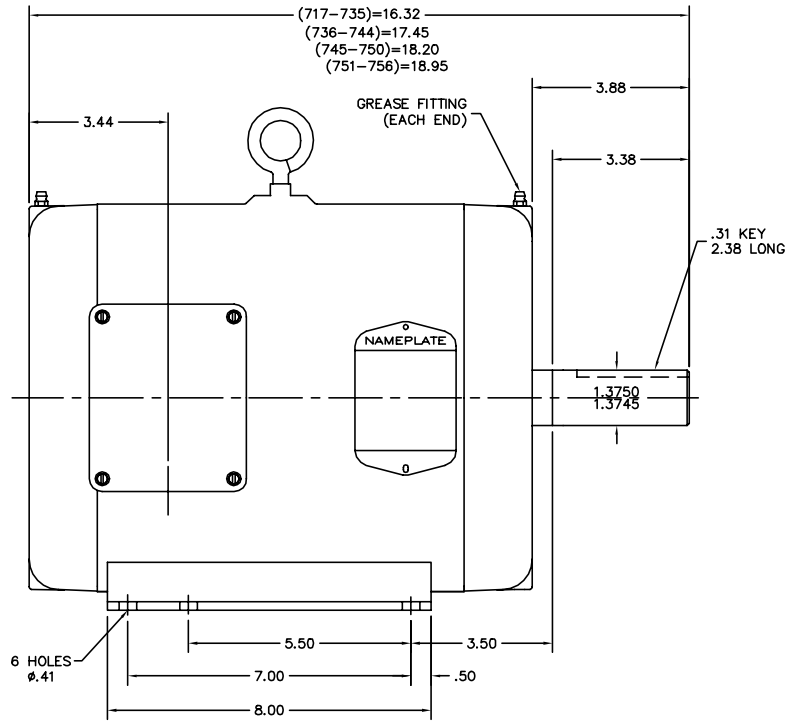
Load Characteristics 460 V, 60 Hz, 1.9 HP

| % of Rated Load | 25 | 50 | 75 | 100 | 125 | 150 | S.F. |
|-----------------|------|------|------|------|------|------|------|
| Power Factor | 27 | 43 | 55 | 64 | 70 | 74 | 0 |
| Efficiency | 62.1 | 73.4 | 77.2 | 78.3 | 78.1 | 77.1 | 0 |
| Speed | 892 | 884 | 876 | 868 | 858 | 846 | 0 |
| Line amperes | 2.7 | 2.9 | 3.2 | 3.6 | 4.1 | 4.7 | 3.9 |

Performance Graph at 460V, 60Hz, 1.9HP Typical performance - Not guaranteed values



37LYB001



CUSTOMER IS RESPONSIBLE FOR DETERMINING THAT MOTOR PERFORMANCE IS SUITABLE IN THE APPLICATION.

| | | | |
|-----------------------------------------------|---------|------------------------------|-------------|
| REV. DESC: ADDED KOBX LEAD HOLE DIM & UPDATED | | | |
| REV. LTR: L | BY: RMP | REVISED: 08:11:16 09/20/2004 | TDR: 343763 |
| FILE: AAA00002757 | | REF: 37LYB001 | |
| MTL: - | | | |

BALDOR ELECTRIC Co.

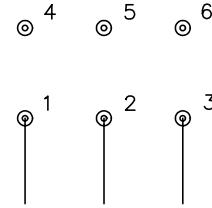
STANDARD HORZ NEMA 213T-215T OPEN 37M

37LYB001

CD0032

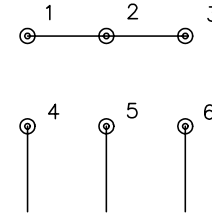


LOW SPEED
(1Y)



LINE

HIGH SPEED
(2Y)



LINE

NOTES:

1. INTERCHANGE ANY TWO LINE LEADS TO REVERSE ROTATION.
2. OPTIONAL THERMOSTATS ARE PROVIDED WHEN SPECIFIED.
3. ACTUAL NUMBER OF INTERNAL PARALLEL CIRCUITS MAY BE A MULTIPLE OF THOSE SHOWN ABOVE.
4. LEAD COLORS ARE OPTIONAL. LEADS MUST ALWAYS BE NUMBERED AS SHOWN.

| | | | |
|-------------------------------------------|---------|------------------------|--------------|
| REV. DESC: REVISE TO SHOW OPTIONAL COLORS | | | |
| REV. LTR: E | BY: JLP | REVISED: 01/22/99 8:27 | TDR: 0171435 |
| CD0032 | | FILE: AAA00005145 | MDL: - |
| | | MTL: - | |

BALDOR ELECTRIC Co.

3PH, SV, 6 LEADS, 2-SPEED 1-WINDING VARIABLE TORQUE

CD0032