

# **BALDOR**® • **RELIANCE**

## **Product Information Packet**

# **VHECP2394T**

**15HP,3525RPM,3PH,60HZ,254HP,0934M,TEFC**

Part Detail							
Revision:	Y	Status:	PRD/A	Change #:		Proprietary:	No
Type:	AC	Prod. Type:	0934M	Elec. Spec:	09WGY599	CD Diagram:	CD0180
Enclosure:	TEFC	Mfg Plant:		Mech. Spec:	09G604	Layout:	09LYG604
Frame:	254HP	Mounting:	F1	Poles:	02	Created Date:	
Base:	N	Rotation:	R	Insulation:	F	Eff. Date:	02-18-2015
Leads:	9#12					Replaced By:	
Literature:		Elec. Diagram:					



Parts List		
Part Number	Description	Quantity
SA123578	SA 09G604Y599G1	1.000 EA
RA114066	RA 09G604Y599G1	1.000 EA
S/P107-000-005	SUPER-E PROC'S(254/6 FR.) ZK PLANT - POL	1.000 EA
09CB1002A13P	KOBX W/1.50 NPT LEAD HL,2.38 MTG HL PATT	1.000 EA
09GS1010	GASKET, DWG, LEADWIRE SEPERATOR	1.000 EA
10XN2520K12	1/4-20 X.75 GRD 5	4.000 EA
HW1001A25	LOCKWASHER 1/4, ZINC PLT .493 OD, .255 I	4.000 EA
HA3400A33	STUD- 3/8-16 X 4.82 HEX WELKER	4.000 EA
12CB1503A01E	CONDUIT BOX LID, MACH, WITH LIP	1.000 EA
WD1000B16	T&B CX70TN TERMINAL	1.000 EA
10XN2520K12	1/4-20 X.75 GRD 5	1.000 EA
HW1001A25	LOCKWASHER 1/4, ZINC PLT .493 OD, .255 I	1.000 EA
HA4051A00	PLASTIC CAP FOR GREASE FITTING	1.000 EA
HW5100A08	W3118-035 WVY WSHR (WB)	1.000 EA
10XN2520K28	1/4-20 X 1.75" HX HD SCRWGRADE 5, ZINC P	2.000 EA
10XN3118K56	5/16-18 X 3.50" HEX HD, GRADE 5	4.000 EA
09EP1505A11P	PU ENDPLATE ENCL 213 BRG 309 254-256LP,	1.000 EA
HA4051A00	PLASTIC CAP FOR GREASE FITTING	1.000 EA
10XN3816K24	3/8-16 X 1.50 HEX HD CAP SCREW, GRADE 5	4.000 EA
HW4600B40	V-RING SLINGER 2.000 X 2.680 X .28 VITON	1.000 EA
09FH1000A11E	FAN COVER, W/E-COAT, MACH P-BASE	1.000 EA
HW1001A38	LOCKWASHER 3/8, ZINC PLT .688 OD, .382 I	4.000 EA
HW4600E45	CR#20599 DBL LIP VITON SEAL 2.063 I.D.	1.000 EA
HW4600B44	V-RING SLINGER 1.500 X 1.810 X .28 VITON	1.000 EA

<b>Parts List (continued)</b>		
<b>Part Number</b>	<b>Description</b>	<b>Quantity</b>
HW1001A38	LOCKWASHER 3/8, ZINC PLT .688 OD, .382 I	4.000 EA
XY3816A12	3/8-16 FINISHED NUT	4.000 EA
HA6387	SPL EYE BRACKET 309-10 FRCR. STEEL P-BAS	2.000 EA
10XN3816K20	3/8-16 X 1.25 HEX HD CAP GRADE 5	4.000 EA
HW1001A38	LOCKWASHER 3/8, ZINC PLT .688 OD, .382 I	4.000 EA
HW1001A38	LOCKWASHER 3/8, ZINC PLT .688 OD, .382 I	4.000 EA
XY3816A12	3/8-16 FINISHED NUT	4.000 EA
09FH1500A01P	DRIP COVER, MACH W/EPOXY PRIMER	1.000 EA
10XN2520K30	STD.25X20 THD HEX HD CAP SCREW, GRADE 5	4.000 EA
HW1000A25	1/4 SAE FLAT WASHER (FS)	4.000 EA
HW1001A25	LOCKWASHER 1/4, ZINC PLT .493 OD, .255 I	4.000 EA
12GS1002	GASKET, CONDUIT BOX LID, NEOP	1.000 EA
10XN3118K16	5/16-18 X 1' GRADE #5, STL, ZINC PLATE	2.000 EA
HW1001A31	LOCKWASHER 5/16, ZINC PLT.591 OD, .319 I	2.000 EA
HW2501E18	KEY, 1/4 SQ X 2.000	1.000 EA
MJ5001A27	32220KN GRAY SEALER *MIN BUY 4 QTS=1GAL	0.031 QT
LB1115N	LABEL,LIFTING DEVICE (ON ROLLS)	1.000 EA
LB1002N	LABEL,MARINE DUTY (ON ROLLS)	1.000 EA
HW4500A05	1669B ALEM/UNIV860 GR FTG X	1.000 EA
HW4500A17	317400 ALEMITE GREASE RELIEF	1.000 EA
MJ1000A02	GREASE, POLYREX EM EXXON (USe 4824-15A)	0.080 LB
HW4500A17	317400 ALEMITE GREASE RELIEF	1.000 EA
HW4500A03	GREASE FITTING, .125 NPT 1610(ALEMITE) 8	1.000 EA
MG1025N19	WILKOFASST, 778.50, RELIANCE BLUE-GREEN	0.050 GA

Product Information Packet: VHECP2394T - 15HP,3525RPM,3PH,60HZ,254HP,0934M,TEFC

85XU0407S04	4X1/4 U DRIVE PIN STAINLESS	2.000 EA
MN416A01	TAG-INSTAL-MAINT no wire (1200/bx) 11/14	1.000 EA
LB1182	WARNING LABEL FOR MOTORS WITH EYENUTS	1.000 EA
PK6014	STEEL STRAP FOR 309-312 BASELESS MOTORS	3.000 EA
19XW3118A08	.31-18 X .50 HEX WASHER HEAD TAPTITE II	3.000 EA
09EP1100A28GP6	ENDPLATE,MACH,PRIMED, W/RELIANCE GREEN	1.000 EA
MJ5001A14	DYNAPRO SEAL, CP MOTORS VC#2508050 (603	0.023 EA
37FN3002C02	EXFN, PLASTIC, 6.00 OD, 1.500 ID	1.000 EA
HW2500A25	WOODRUFF KEY USA #1008 #BLOW CARBON STEE	1.000 EA
51XB1214A20	12-14X1.25 HXWSSLD SERTYB	1.000 EA
LB1119N	WARNING LABEL	1.000 EA
LC0181	CONNECTION LABEL	1.000 EA
NP1260E	SS CP SUPER-E UL CSA CC	1.000 EA
40PA1014	PACKAGING GROUP, 09 NO BASE	1.000 EA

**AC Induction Motor Performance Data**  
Record # 2064 - Typical performance - not guaranteed values

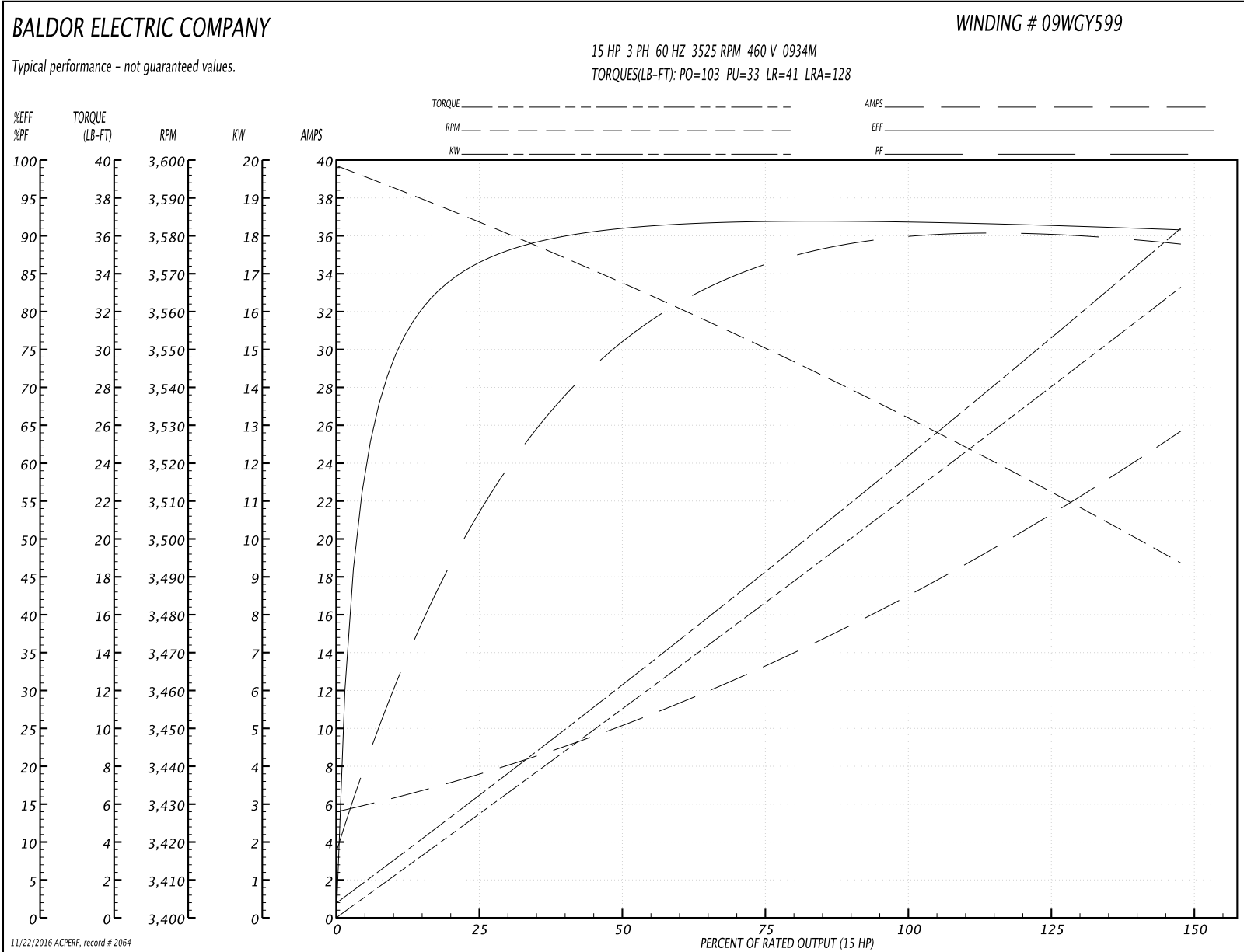
<b>Winding:</b> 09WGY599-R001	<b>Type:</b> 0934M	<b>Enclosure:</b> TEFC
-------------------------------	--------------------	------------------------

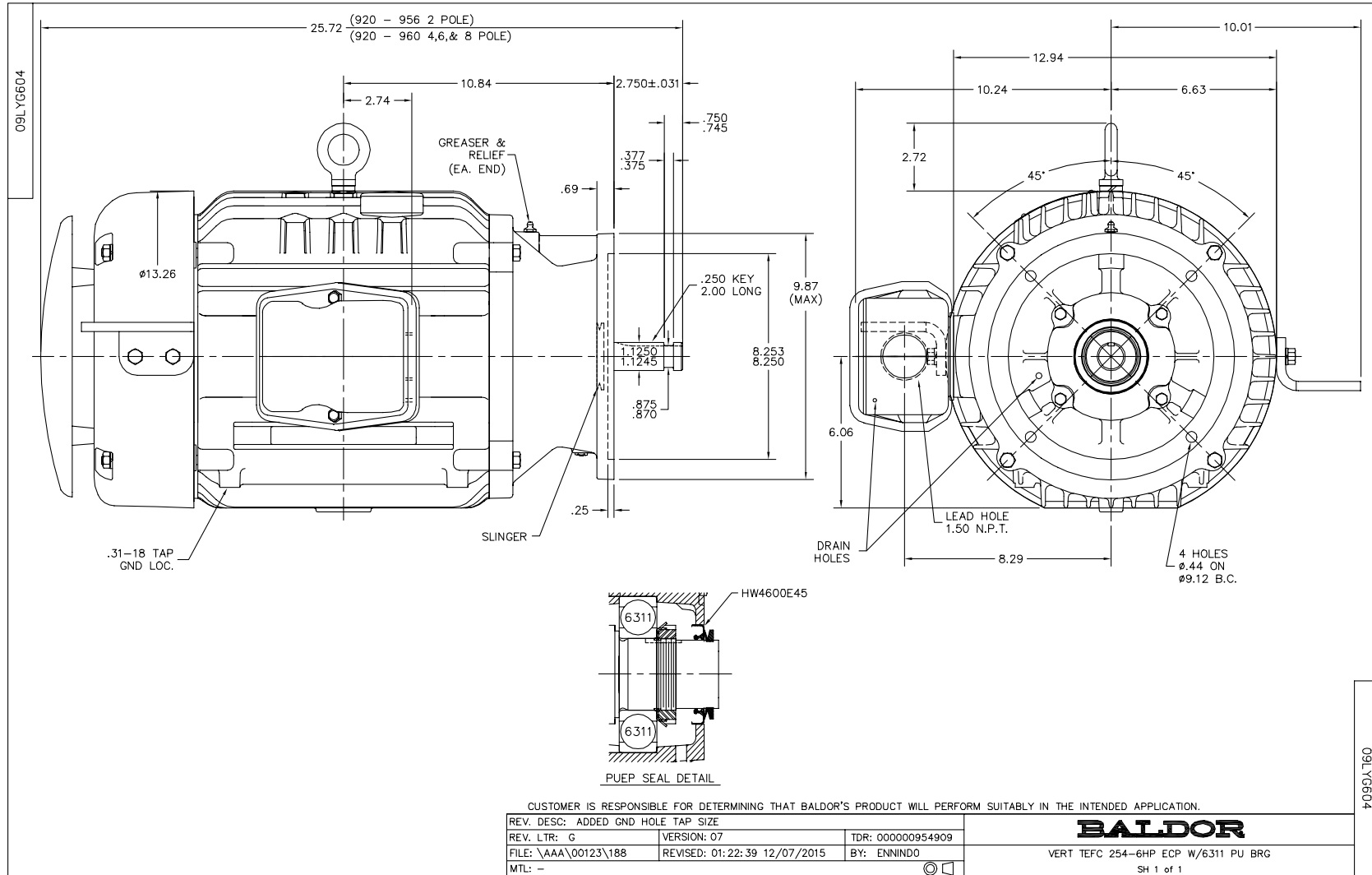
Nameplate Data				460 V, 60 Hz: High Voltage Connection	
Rated Output (HP)	15			Full Load Torque	22.2 LB-FT
Volts	230/460			Start Configuration	direct on line
Full Load Amps	34.4/17.2			Breakdown Torque	103 LB-FT
R.P.M.	3525			Pull-up Torque	33 LB-FT
Hz	60	Phase	3	Locked-rotor Torque	41 LB-FT
NEMA Design Code	A	KVA Code	H	Starting Current	128 A
Service Factor (S.F.)	1.15			No-load Current	5.9 A
NEMA Nom. Eff.	91.7	Power Factor	88	Line-line Res. @ 25°C	0.559 Ω
Rating - Duty	40C AMB-CONT			Temp. Rise @ Rated Load	55°C
S.F. Amps				Temp. Rise @ S.F. Load	66°C
				Locked-rotor Power Factor	28.7
				Rotor inertia	0.868 LB-FT <sup>2</sup>

**Load Characteristics 460 V, 60 Hz, 15 HP**

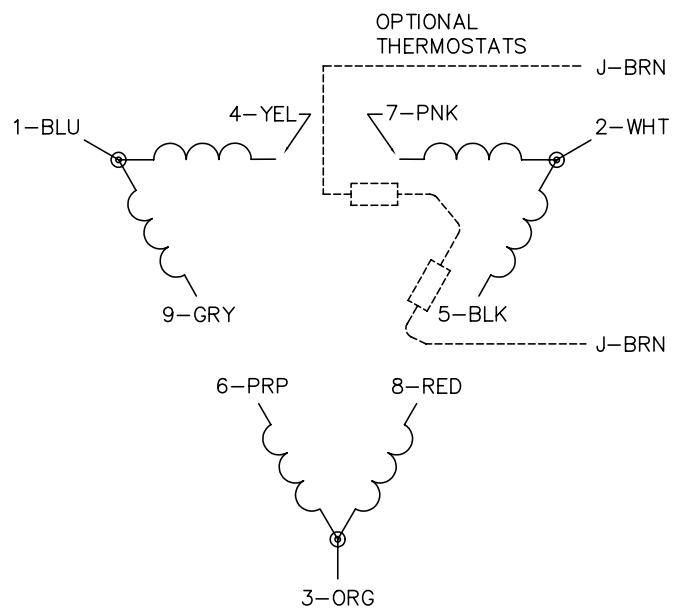
% of Rated Load	25	50	75	100	125	150	S.F.
Power Factor	57	78	86	88	91	91	90
Efficiency	86.2	90.8	91.9	91.9	91.5	90.7	91.7
Speed	3583	3567	3550	3533	3514	3493	3522
Line amperes	7.2	10	13.4	17.2	21.2	25.5	19.6

Performance Graph at 460V, 60Hz, 15.0HP Typical performance - Not guaranteed values

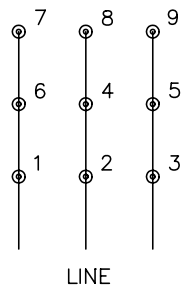




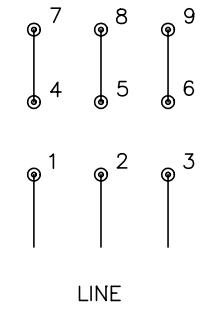
CD0180



LOW VOLTAGE  
(2D)



HIGH VOLTAGE  
(1D)



NOTES:

1. INTERCHANGE ANY TWO LINE LEADS TO REVERSE ROTATION.
2. OPTIONAL THERMOSTATS ARE PROVIDED WHEN SPECIFIED.
3. ACTUAL NUMBER OF INTERNAL PARALLEL CIRCUITS MAY BE A MULTIPLE OF THOSE SHOWN ABOVE.
4. LEAD COLORS ARE OPTIONAL. LEADS MUST ALWAYS BE NUMBERED AS SHOWN.

REV. DESC: REVISE TO SHOW OPTIONAL COLORS			
REV. LTR: C	BY: JLP	REVISED: 01/21/99 2:28	TDR: 0171435
0810D0		FILE: AAA00005148	MDL: -
		MTL: -	

**BALDOR ELECTRIC Co.**

3PH, DV, 9 LEADS, DELTA CONNECTION

CD0180