

BERKELEY® B2TPM

Cast Iron Impeller

Threaded Case (NPT), Packing Construction



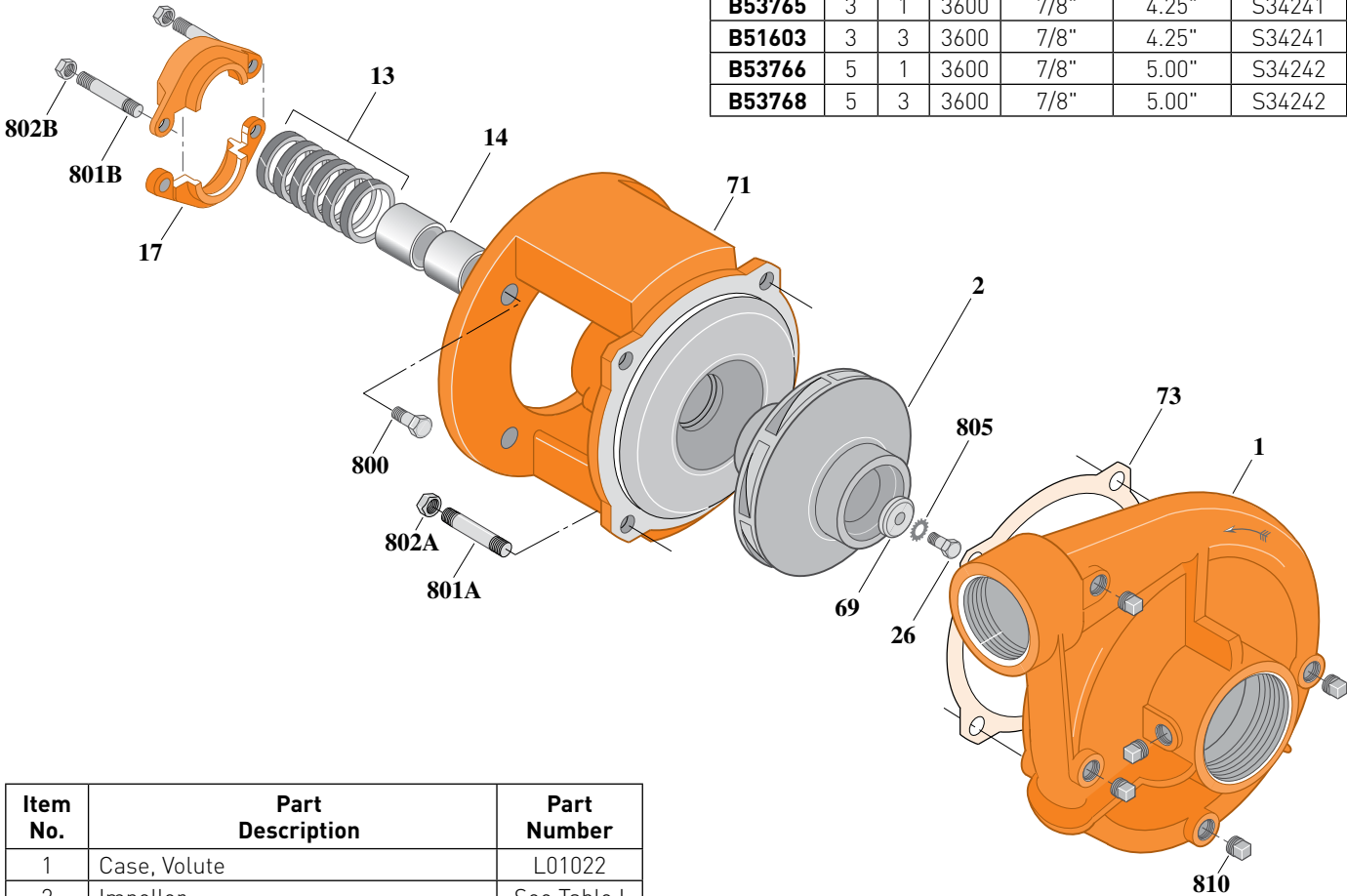
ELECTRIC MOTOR DRIVE

Section	CC
Page	70.1
Date	March 4, 2013
Supersedes 01/01/04	

Questions? Call **1-800-810-1053**

Table I

B/M No.	HP	PH	RPM	"U" Dim.	Imp. Dia.	Imp. No.
B53765	3	1	3600	7/8"	4.25"	S34241
B51603	3	3	3600	7/8"	4.25"	S34241
B53766	5	1	3600	7/8"	5.00"	S34242
B53768	5	3	3600	7/8"	5.00"	S34242



1720A 0495

Item No.	Part Description	Part Number
1	Case, Volute	L01022
2	Impeller	See Table I
13	Rings, Packing (Set of 6)	S13469
14	Sleeve, Shaft (2 Req.)	S00619
17	Gland, Packing	B82469
26	Screw, Impeller 3/8 - 16 x 1"	S23566
32	Key, 3/16 x 1-1/4" (See Note)	S34383
69	Washer, Impeller	S06314
71	Bracket	See Table II
73	Gasket, Volute	S04757
800	Capscrew, 3/8 - 16 x 7/8" (4 Req.)	S26825
801A	Stud, 1/2 - 13 x 1-1/2" (4 Req.)	S24043
801B	Stud, 3/8 - 16 x 4" (2 Req.)	S08303
802A	Nut, Hex 1/2 - 13 (4 Req.)	S23107
802B	Nut, Hex 3/8 - 16 (2 Req.)	S23343
805	Washer, Lock	S23036
810	Plug, Pipe 1/4 NPT (4 Req.)	S23715

Table II

HP	PH	Bracket No.	"AK" Fit	"U" Dim.	Motor Frame
3	1	L01525	4-1/2"	7/8"	182JP
3	3	L01525	4-1/2"	7/8"	145JP
5	1	L01525	4-1/2"	7/8"	184JP
5	3	L01525	4-1/2"	7/8"	182JP

NOTE: For an explanation of the tabulated material found on this page and for impeller key location, refer to **Supplement A** located at the beginning of this section.



BERKELEY® B2TPM

Cast Iron Impeller

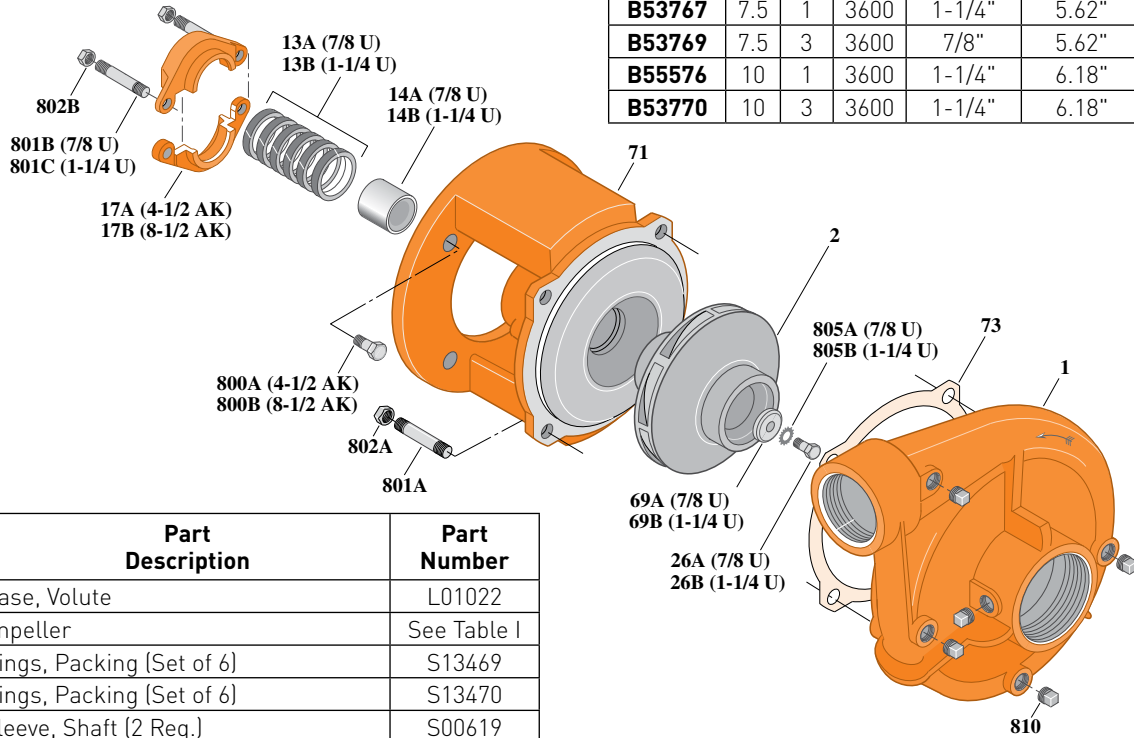
Threaded Case (NPT), Packing Construction

ELECTRIC MOTOR DRIVE

Section	CC
Page	70.2
Date	March 4, 2013
Supersedes 01/01/04	

Table I

B/M No.	HP	PH	RPM	"U" Dim.	Imp. Dia.	Imp. No.
B53767	7.5	1	3600	1-1/4"	5.62"	S34239
B53769	7.5	3	3600	7/8"	5.62"	S34243
B55576	10	1	3600	1-1/4"	6.18"	S34240
B53770	10	3	3600	1-1/4"	6.18"	S34240



Item No.	Part Description	Part Number
1	Case, Volute	L01022
2	Impeller	See Table I
13A	Rings, Packing [Set of 6]	S13469
13B	Rings, Packing [Set of 6]	S13470
14A	Sleeve, Shaft [2 Req.]	S00619
14B	Sleeve, Shaft	S05149
17A	Gland, Packing	B82469
17B	Gland, Packing	B82470
26A	Screw, Impeller 3/8 - 16 x 1"	S23566
26B	Screw, Impeller 1/2 - 13 x 1-1/4"	S23621
32A	Key, 3/16 x 1-1/4" [See Note]	S34383
32B	Key, 1/4 x 2-1/4" [See Note]	S23677
69A	Washer, Impeller	S06314
69B	Washer, Impeller	S06317
71	Bracket	See Table II
73	Gasket, Volute	S04757
800A	Capscrew, 3/8 - 16 x 7/8" [4 Req.]	S26825
800B	Capscrew, 1/2 - 13 x 1" [4 Req.]	S26912
801A	Stud, 1/2 - 13 x 1-1/2" [4 Req.]	S24043
801B	Stud, 3/8 - 16 x 4" [2 Req.]	S08303
801C	Stud, 3/8 - 16 x 3-1/2" [2 Req.]	S04441
802A	Nut, Hex 1/2 - 13 [4 Req.]	S23107
802B	Nut, Hex 3/8 - 16 [2 Req.]	S23343
805A	Washer, Lock	S23036
805B	Washer, Lock	S23038
810	Plug, Pipe 1/4 NPT [4 Req.]	S23715

Table II

HP	PH	Bracket No.	"AK" Fit	"U" Dim.	Motor Frame
7.5	1	L01951	8-1/2"	1-1/4"	213JP
7.5	3	L01525	4-1/2"	7/8"	184JP
10	1	L01591	8-1/2"	1-1/4"	215JP
10	3	L01591	8-1/2"	1-1/4"	213JP

NOTE: For an explanation of the tabulated material found on this page and for impeller key location, refer to **Supplement A** located at the beginning of this section.



BERKELEY® B2TPMS

Cast Iron Impeller

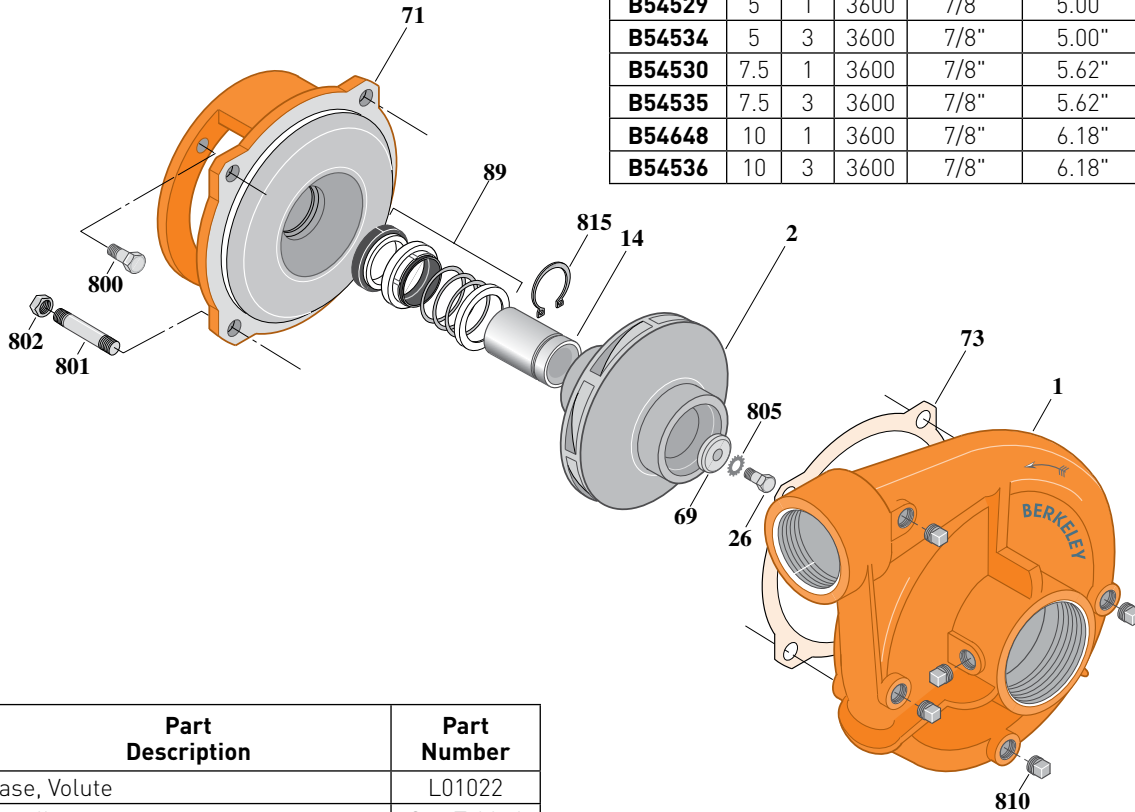
Threaded Case (NPT), Mechanical Shaft Seal Construction

ELECTRIC MOTOR DRIVE

Section	CC
Page	70.3
Date	March 4, 2013
Supersedes 01/01/04	

Table I

B/M No.	HP	PH	RPM	"U" Dim.	Imp. Dia.	Imp. No.
B54528	3	1	3600	7/8"	4.25"	S34241
B54533	3	3	3600	7/8"	4.25"	S34241
B54529	5	1	3600	7/8"	5.00"	S34242
B54534	5	3	3600	7/8"	5.00"	S34242
B54530	7.5	1	3600	7/8"	5.62"	S34243
B54535	7.5	3	3600	7/8"	5.62"	S34243
B54648	10	1	3600	7/8"	6.18"	S34279
B54536	10	3	3600	7/8"	6.18"	S34279



1480 0195

Item No.	Part Description	Part Number
1	Case, Volute	L01022
2	Impeller	See Table I
14	Sleeve, Shaft	S19310
26	Screw, Impeller 3/8 - 16 x 1"	S23566
32	Key, 3/16 x 1-1/4" [See Note]	S34383
69	Washer, Impeller	S06314
71	Bracket	See Table II
73	Gasket, Volute	S04757
89	Seal, Mechanical Shaft	S32014
800	Capscrew, 3/8 - 16 x 1" [4 Req.] [For 4-1/2 AK]	S26826
800	Capscrew, 1/2 - 13 x 1" [4 Req.] [For 8-1/2 AK]	S26912
801	Stud, 1/2 - 13 x 1-1/2" [4 Req.]	S24043
802	Nut, 1/2 x 13 [4 Req.]	S23107
805	Washer, Lock	S23036
810	Plug, Pipe 1/4 NPT [4 Req.]	S23715
815	Ring, Retaining	S11207

Table II

HP	PH	Bracket No.	"AK" Fit	"U" Dim.	Motor Frame
3	1	L05329	4-1/2"	7/8"	182JM
3	3	L05329	4-1/2"	7/8"	145JM
5	1	L05329	4-1/2"	7/8"	184JM
5	3	L05329	4-1/2"	7/8"	182JM
7.5	1	L05328	8-1/2"	7/8"	213JM
7.5	3	L05329	4-1/2"	7/8"	184JM
10	1	L05328	8-1/2"	7/8"	215JM
10	3	L05328	8-1/2"	7/8"	213JM

NOTE: For an explanation of the tabulated material found on this page and for impeller key location, refer to **Supplement A** located at the beginning of this section.



BERKELEY® B2TPM

Bronze Impeller

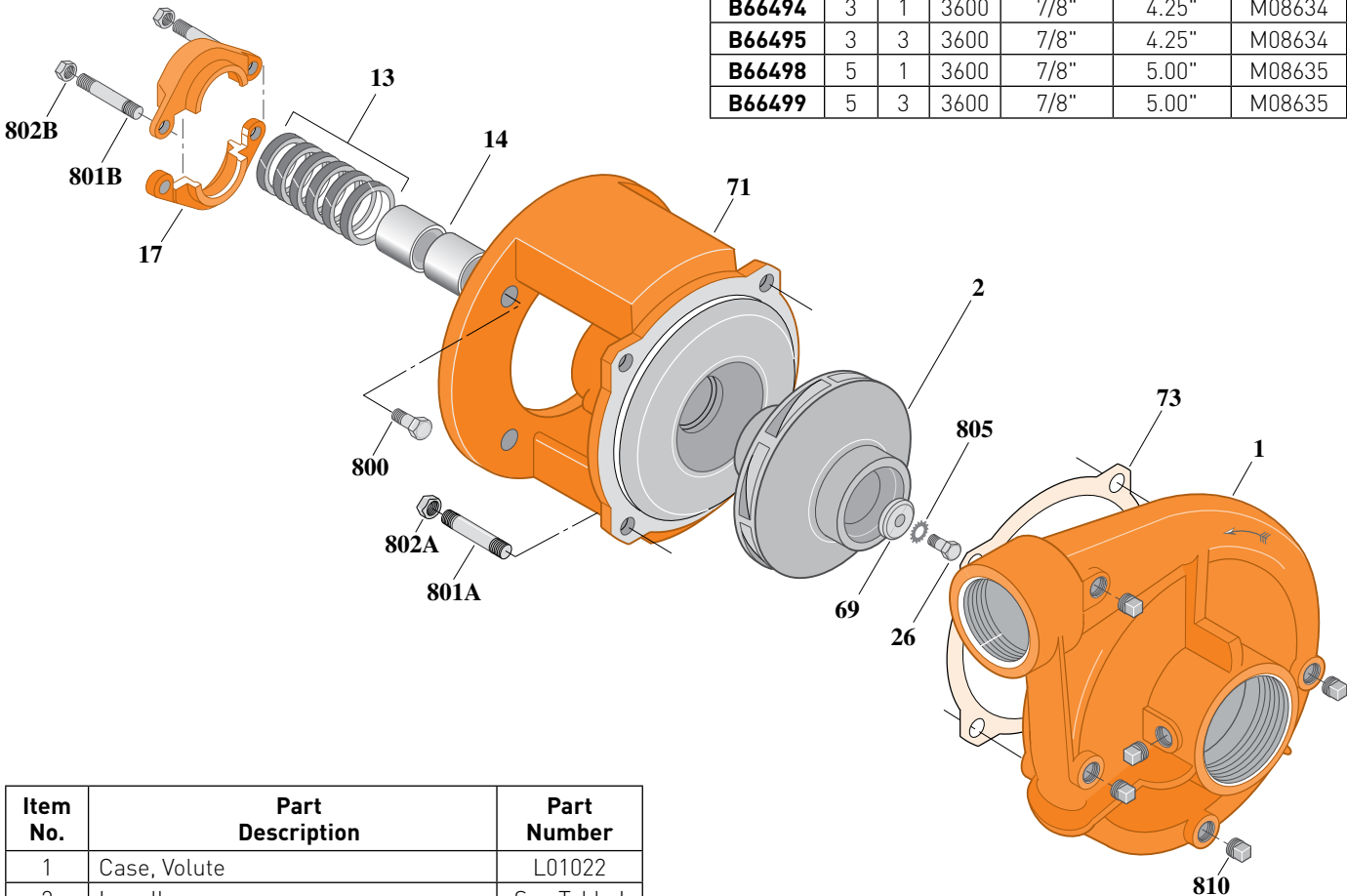
Threaded Case (NPT), Packing Construction

ELECTRIC MOTOR DRIVE

Section	CC
Page	70.4
Date	March 4, 2013
Supersedes 01/01/04	

Table I

B/M No.	HP	PH	RPM	"U" Dim.	Imp. Dia.	Imp. No.
B66494	3	1	3600	7/8"	4.25"	M08634
B66495	3	3	3600	7/8"	4.25"	M08634
B66498	5	1	3600	7/8"	5.00"	M08635
B66499	5	3	3600	7/8"	5.00"	M08635



1720A 0495

Item No.	Part Description	Part Number
1	Case, Volute	L01022
2	Impeller	See Table I
13	Rings, Packing (Set of 6)	S13469
14	Sleeve, Shaft (2 Req.)	S00619
17	Gland, Packing	B82469
26	Screw, Impeller 3/8 - 16 x 1"	S23566
32	Key, 3/16 x 1-1/4" (See Note)	S34383
69	Washer, Impeller	S06314
71	Bracket	See Table II
73	Gasket, Volute	S04757
800	Capscrew, 3/8 - 16 x 7/8" (4 Req.)	S26825
801A	Stud, 1/2 - 13 x 1-1/2" (4 Req.)	S24043
801B	Stud, 3/8 - 16 x 4" (2 Req.)	S08303
802A	Nut, Hex 1/2 - 13 (4 Req.)	S23107
802B	Nut, Hex 3/8 - 16 (2 Req.)	S23343
805	Washer, Lock	S23036
810	Plug, Pipe 1/4 NPT (4 Req.)	S23715

Table II

HP	PH	Bracket No.	"AK" Fit	"U" Dim.	Motor Frame
3	1	L01525	4-1/2"	7/8"	182JP
3	3	L01525	4-1/2"	7/8"	145JP
5	1	L01525	4-1/2"	7/8"	184JP
5	3	L01525	4-1/2"	7/8"	182JP

NOTE: For an explanation of the tabulated material found on this page and for impeller key location, refer to **Supplement A** located at the beginning of this section.



BERKELEY® B2TPM

Bronze Impeller

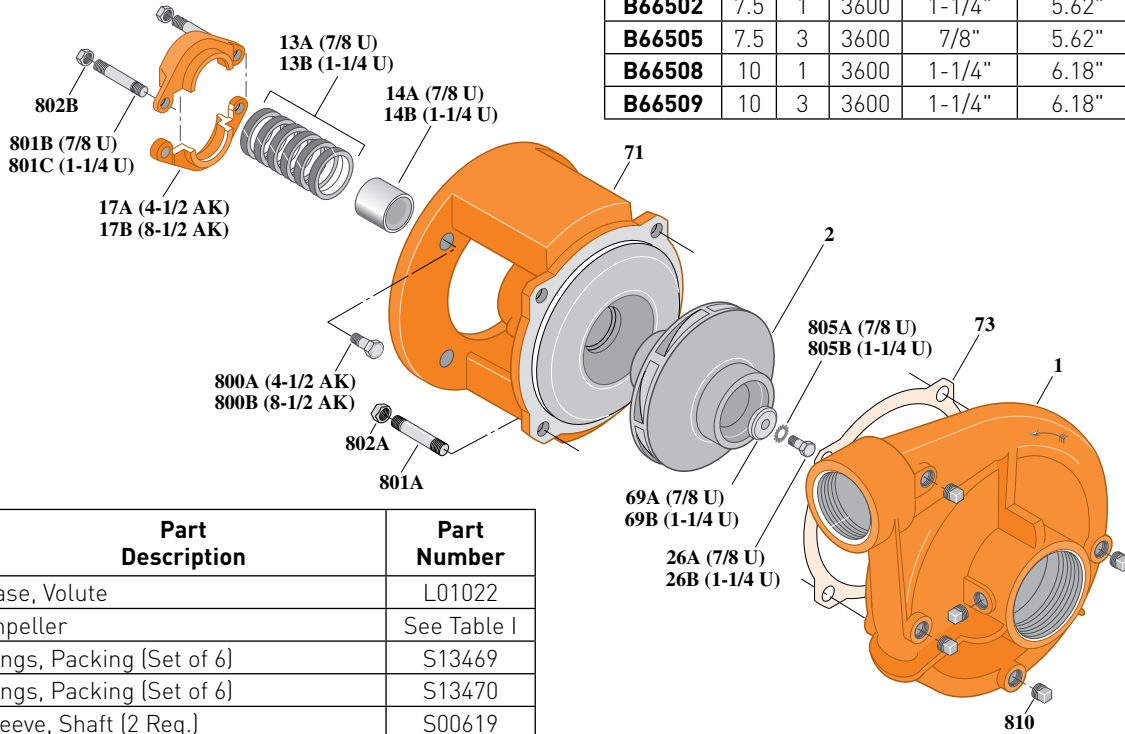
Threaded Case (NPT), Packing Construction

ELECTRIC MOTOR DRIVE

Section	CC
Page	70.5
Date	March 4, 2013
Supersedes 01/01/04	

Table I

B/M No.	HP	PH	RPM	"U" Dim.	Imp. Dia.	Imp. No.
B66502	7.5	1	3600	1-1/4"	5.62"	M08632
B66505	7.5	3	3600	7/8"	5.62"	M08636
B66508	10	1	3600	1-1/4"	6.18"	M08633
B66509	10	3	3600	1-1/4"	6.18"	M08633



1720B 0495

Item No.	Part Description	Part Number
1	Case, Volute	L01022
2	Impeller	See Table I
13A	Rings, Packing [Set of 6]	S13469
13B	Rings, Packing [Set of 6]	S13470
14A	Sleeve, Shaft [2 Req.]	S00619
14B	Sleeve, Shaft	S05149
17A	Gland, Packing	B82469
17B	Gland, Packing	B82470
26A	Screw, Impeller 3/8 - 16 x 1"	S23566
26B	Screw, Impeller 1/2 - 13 x 1-1/4"	S23621
32A	Key, 3/16 x 1-1/4" [See Note]	S34383
32B	Key, 1/4 x 2-1/4" [See Note]	S23677
69A	Washer, Impeller	S06314
69B	Washer, Impeller	S06317
71	Bracket	See Table II
73	Gasket, Volute	S04757
800A	Capscrew, 3/8 - 16 x 7/8" [4 Req.]	S26825
800B	Capscrew, 1/2 - 13 x 1" [4 Req.]	S26912
801A	Stud, 1/2 - 13 x 1-1/2" [4 Req.]	S24043
801B	Stud, 3/8 - 16 x 4" [2 Req.]	S08303
801C	Stud, 3/8 - 16 x 3-1/2" [2 Req.]	S04441
802A	Nut, Hex 1/2 - 13 [4 Req.]	S23107
802B	Nut, Hex 3/8 - 16 [2 Req.]	S23343
805A	Washer, Lock	S23036
805B	Washer, Lock	S23038
810	Plug, Pipe 1/4 NPT [4 Req.]	S23715

Table II

HP	PH	Bracket No.	"AK" Fit	"U" Dim.	Motor Frame
7.5	1	L01951	8-1/2"	1-1/4"	213JP
7.5	3	L01525	4-1/2"	7/8"	184JP
10	1	L01951	8-1/2"	1-1/4"	215JP
10	3	L01951	8-1/2"	1-1/4"	213JP

NOTE: For an explanation of the tabulated material found on this page and for impeller key location, refer to **Supplement A** located at the beginning of this section.



BERKELEY® B2TPMS

Bronze Impeller

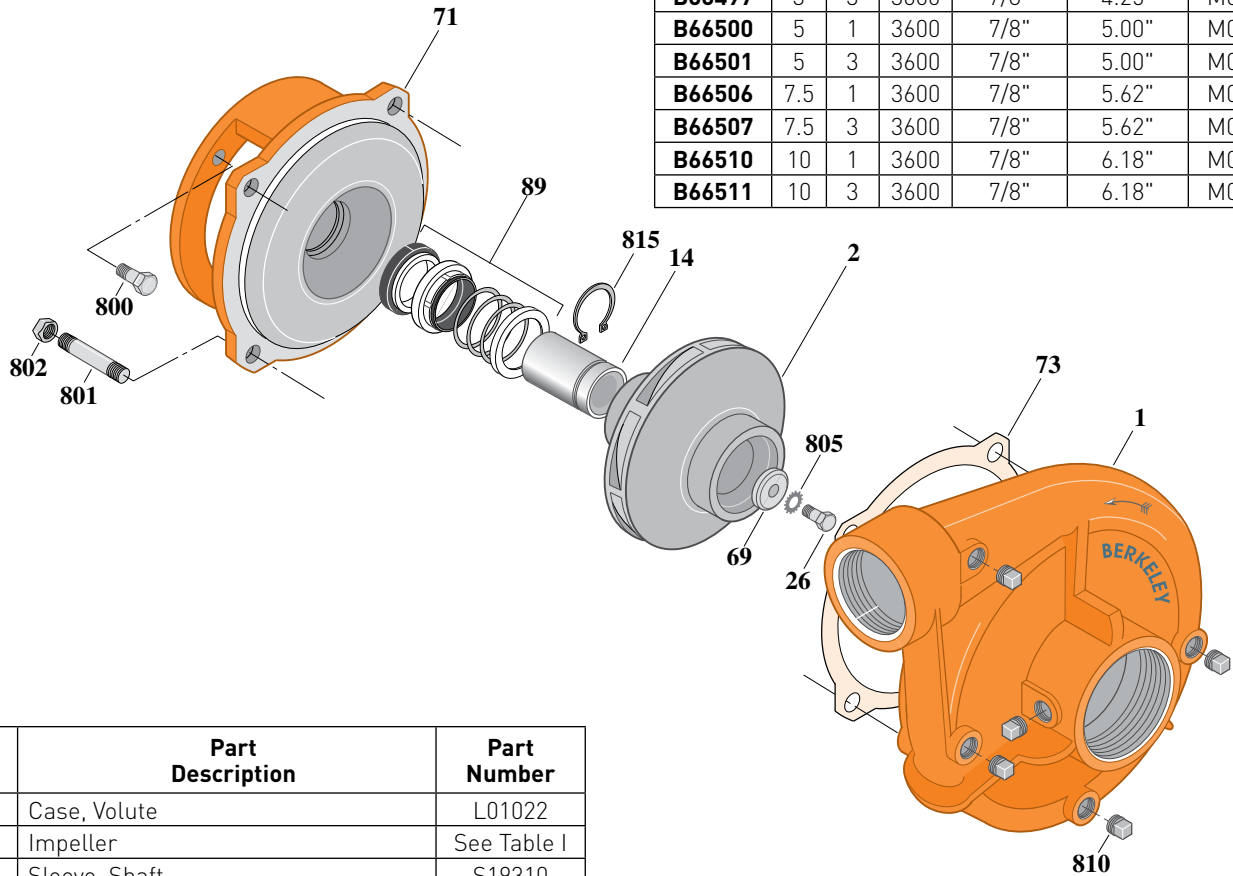
Threaded Case (NPT), Mechanical Shaft Seal Construction

ELECTRIC MOTOR DRIVE

Section	CC
Page	70.6
Date	March 4, 2013
Supersedes 01/01/04	

Table I

B/M No.	HP	PH	RPM	"U" Dim.	Imp. Dia.	Imp. No.
B66496	3	1	3600	7/8"	4.25"	M08634
B66497	3	3	3600	7/8"	4.25"	M08634
B66500	5	1	3600	7/8"	5.00"	M08635
B66501	5	3	3600	7/8"	5.00"	M08635
B66506	7.5	1	3600	7/8"	5.62"	M08636
B66507	7.5	3	3600	7/8"	5.62"	M08636
B66510	10	1	3600	7/8"	6.18"	M08637
B66511	10	3	3600	7/8"	6.18"	M08637



1480 0195

Item No.	Part Description	Part Number
1	Case, Volute	L01022
2	Impeller	See Table I
14	Sleeve, Shaft	S19310
26	Screw, Impeller 3/8 - 16 x 1"	S23566
32	Key, 3/16 x 1-1/4" [See Note]	S34383
69	Washer, Impeller	S06314
71	Bracket	See Table II
73	Gasket, Volute	S04757
89	Seal, Mechanical Shaft	S32014
800	Cap screw, 3/8 - 16 x 1" [4 Req.] [For 4-1/2 AK]	S26826
800	Cap screw, 1/2 - 13 x 1" [4 Req.] [For 8-1/2 AK]	S26912
801	Stud, 1/2 - 13 x 1-1/2" [4 Req.]	S24043
802	Nut, 1/2 x 13 [4 Req.]	S23107
805	Washer, Lock	S23036
810	Plug, Pipe 1/4 NPT [4 Req.]	S23715
815	Ring, Retaining	S11207

Table II

HP	PH	Bracket No.	"AK" Fit	"U" Dim.	Motor Frame
3	1	L05329	4-1/2"	7/8"	182JM
3	3	L05329	4-1/2"	7/8"	145JM
5	1	L05329	4-1/2"	7/8"	184JM
5	3	L05329	4-1/2"	7/8"	182JM
7.5	1	L05328	8-1/2"	7/8"	213JM
7.5	3	L05329	4-1/2"	7/8"	184JM
10	1	L05328	8-1/2"	7/8"	215JM
10	3	L05328	8-1/2"	7/8"	213JM

NOTE: For an explanation of the tabulated material found on this page and for impeller key location, refer to **Supplement A** located at the beginning of this section.



BERKELEY® B2TPM

Silicon Bronze Impeller

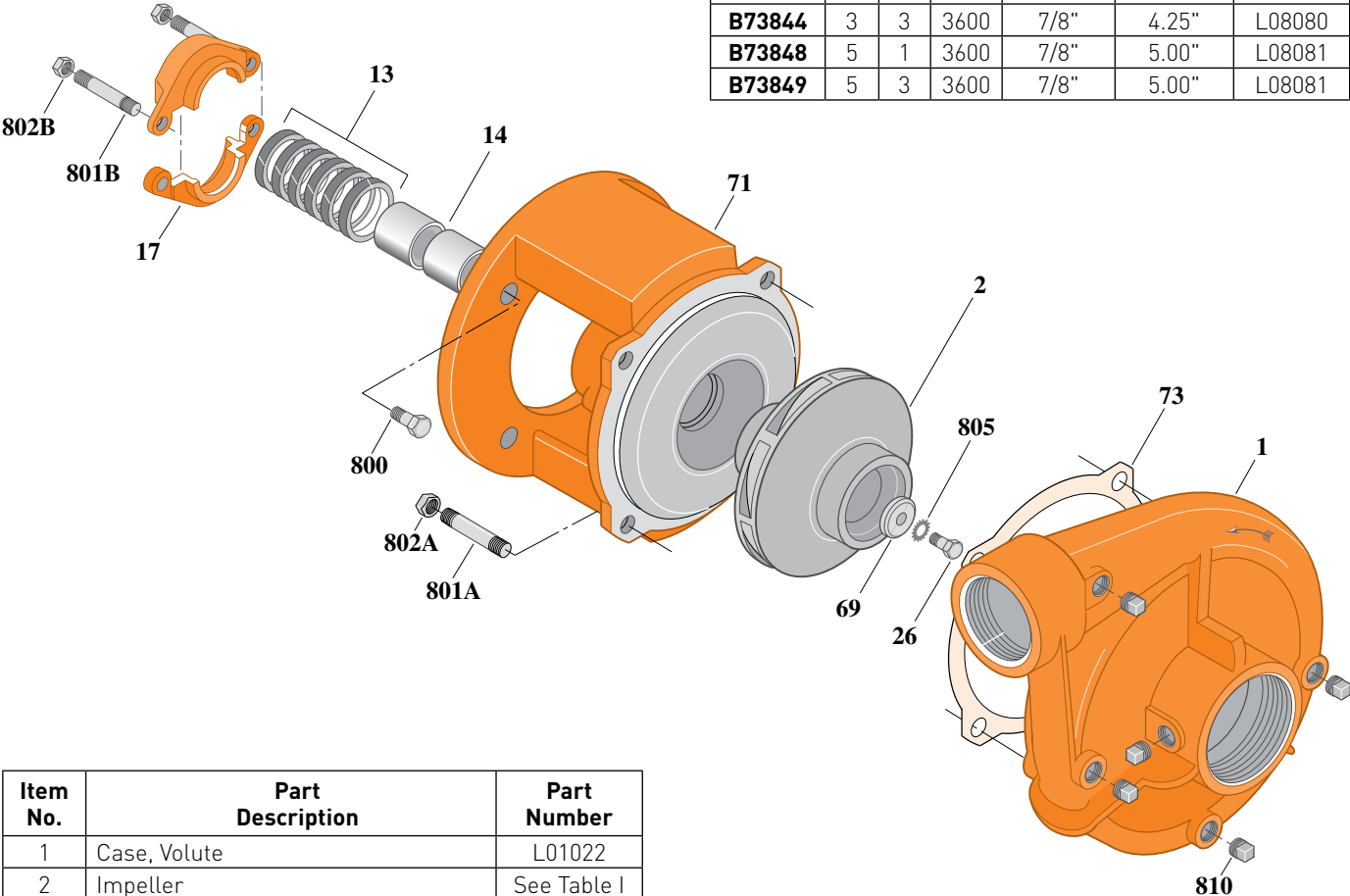
Threaded Case (NPT), Packing Construction

ELECTRIC MOTOR DRIVE

Section	CC
Page	70.7
Date	March 4, 2013
Supersedes 01/01/04	

Table I

B/M No.	HP	PH	RPM	"U" Dim.	Imp. Dia.	Imp. No.
B73843	3	1	3600	7/8"	4.25"	L08080
B73844	3	3	3600	7/8"	4.25"	L08080
B73848	5	1	3600	7/8"	5.00"	L08081
B73849	5	3	3600	7/8"	5.00"	L08081



1720A 0495

Item No.	Part Description	Part Number
1	Case, Volute	L01022
2	Impeller	See Table I
13	Rings, Packing (Set of 6)	S13469
14	Sleeve, Shaft (2 Req.)	S00619
17	Gland, Packing	B82469
26	Screw, Impeller 3/8 - 16 x 1-1/4"	S23568
32	Key, 3/16 x 1-1/4" (See Note)	S34383
69	Washer, Impeller	S06314
71	Bracket	See Table II
73	Gasket, Volute	S04757
800	Capscrew, 3/8 - 16 x 7/8" (4 Req.)	S26825
801A	Stud, 1/2 - 13 x 1-1/2" (4 Req.)	S24043
801B	Stud, 3/8 - 16 x 4" (2 Req.)	S08303
802A	Nut, Hex 1/2 - 13 (4 Req.)	S23107
802B	Nut, Hex 3/8 - 16 (2 Req.)	S23343
805	Washer, Lock	S23036
810	Plug, Pipe 1/4" NPT (5 Req.)	S23715

Table II

HP	PH	Bracket No.	"AK" Fit	"U" Dim.	Motor Frame
3	1	L01525	4-1/2"	7/8"	182JP
3	3	L01525	4-1/2"	7/8"	145JP
5	1	L01525	4-1/2"	7/8"	184JP
5	3	L01525	4-1/2"	7/8"	182JP

NOTE: For an explanation of the tabulated material found on this page and for impeller key location, refer to **Supplement A** located at the beginning of this section.



BERKELEY® B2TPM

Silicon Bronze Impeller

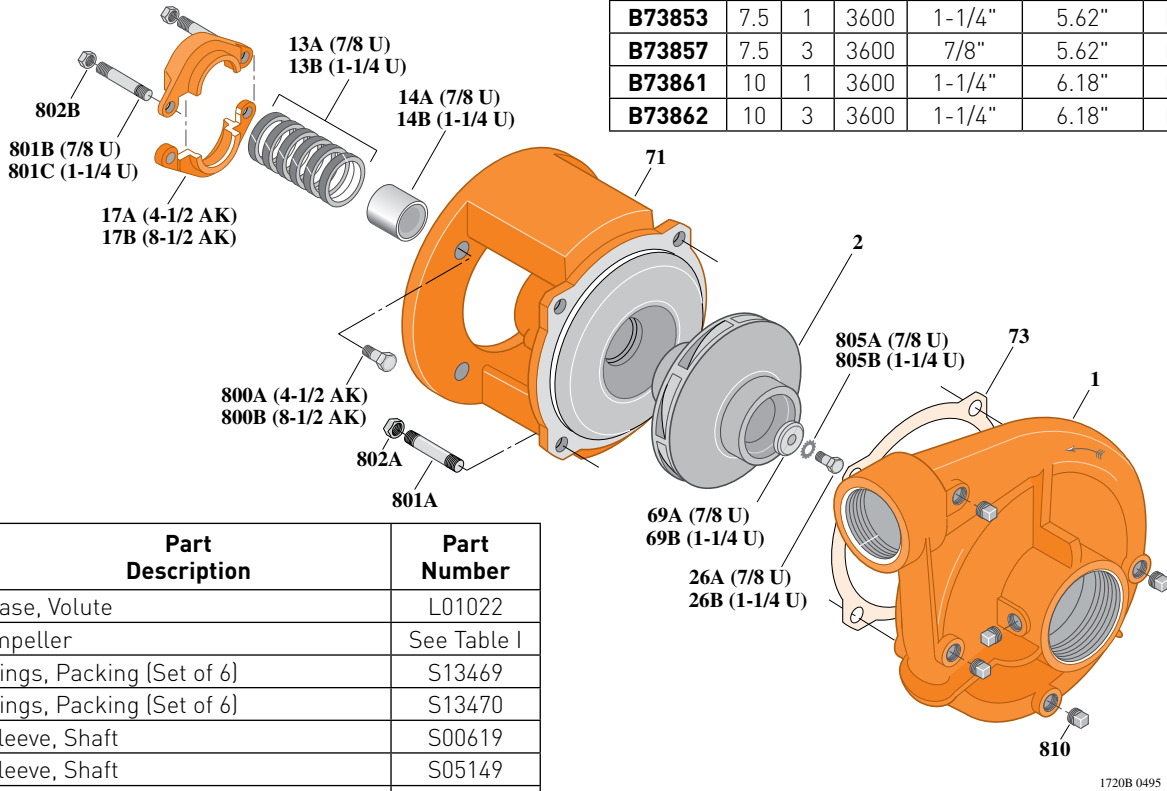
Threaded Case (NPT), Packing Construction

ELECTRIC MOTOR DRIVE

Section	CC
Page	70.8
Date	March 4, 2013
Supersedes 01/01/04	

Table I

B/M No.	HP	PH	RPM	"U" Dim.	Imp. Dia.	Imp. No.
B73853	7.5	1	3600	1-1/4"	5.62"	L08078
B73857	7.5	3	3600	7/8"	5.62"	L08082
B73861	10	1	3600	1-1/4"	6.18"	L08079
B73862	10	3	3600	1-1/4"	6.18"	L08079



Item No.	Part Description	Part Number
1	Case, Volute	L01022
2	Impeller	See Table I
13A	Rings, Packing [Set of 6]	S13469
13B	Rings, Packing [Set of 6]	S13470
14A	Sleeve, Shaft	S00619
14B	Sleeve, Shaft	S05149
17A	Gland, Packing	B82469
17B	Gland, Packing	B82470
26A	Screw, Impeller 3/8 - 16 x 1"	S23566
26B	Screw, Impeller 1/2 - 13 x 1-1/4"	S23621
32A	Key, 3/16 x 1-1/4" [See Note]	S34383
32B	Key, 1/4 x 2-1/4" [See Note]	S23677
69A	Washer, Impeller	S06314
69B	Washer, Impeller	S06317
71	Bracket	See Table II
73	Gasket, Volute	S04757
800A	Capscrew, 3/8 - 16 x 7/8" [4 Req.]	S26825
800B	Capscrew, 1/2 - 13 x 1" [4 Req.]	S26912
801A	Stud, 1/2 - 13 x 1-1/2" [4 Req.]	S24043
801B	Stud, 3/8 - 16 x 4" [2 Req.]	S08303
801C	Stud, 3/8 - 16 x 3-1/2" [2 Req.]	S04441
802A	Nut, Hex 1/2 - 13 [4 Req.]	S23107
802B	Nut, Hex 3/8 - 16 [2 Req.]	S23343
805A	Washer, Lock	S23036
805B	Washer, Lock	S23038
810	Plug, Pipe 1/4" NPT [5 Req.]	S23715

Table II

HP	PH	Bracket No.	"AK" Fit	"U" Dim.	Motor Frame
7.5	1	L01951	8-1/2"	1-1/4"	213JP
7.5	3	L01525	4-1/2"	7/8"	184JP
10	1	L01951	8-1/2"	1-1/4"	215JP
10	3	L01951	8-1/2"	1-1/4"	213JP

NOTE: For an explanation of the tabulated material found on this page and for impeller key location, refer to **Supplement A** located at the beginning of this section.



BERKELEY® B2TPMS Silicon Bronze Impeller

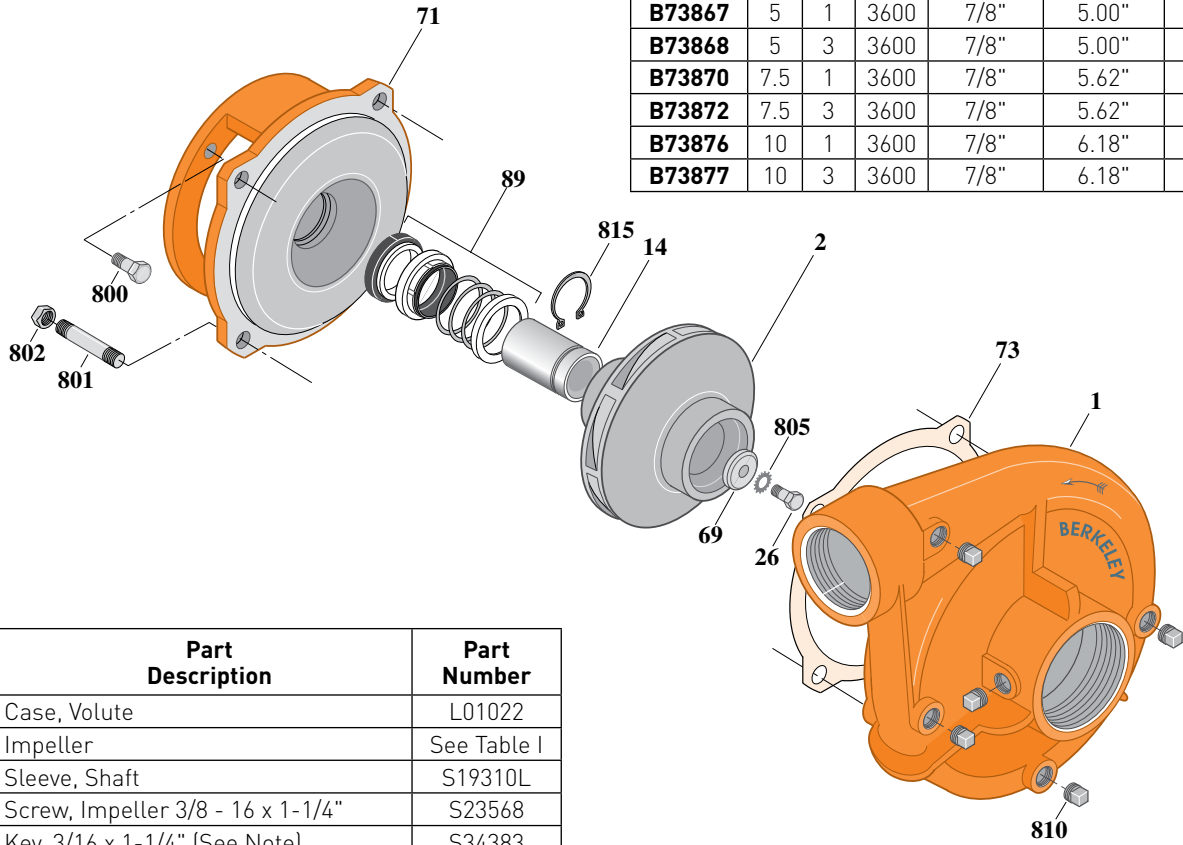
Threaded Case (NPT), Mechanical Shaft Seal Construction

ELECTRIC MOTOR DRIVE

Section	CC
Page	70.9
Date	March 4, 2013
Supersedes 01/01/04	

Table I

B/M No.	HP	PH	RPM	"U" Dim.	Imp. Dia.	Imp. No.
B73864	3	1	3600	7/8"	4.25"	L08080
B73865	3	3	3600	7/8"	4.25"	L08080
B73867	5	1	3600	7/8"	5.00"	L08081
B73868	5	3	3600	7/8"	5.00"	L08081
B73870	7.5	1	3600	7/8"	5.62"	L08082
B73872	7.5	3	3600	7/8"	5.62"	L08082
B73876	10	1	3600	7/8"	6.18"	L08083
B73877	10	3	3600	7/8"	6.18"	L08083



1480 0195

Item No.	Part Description	Part Number
1	Case, Volute	L01022
2	Impeller	See Table I
14	Sleeve, Shaft	S19310L
26	Screw, Impeller 3/8 - 16 x 1-1/4"	S23568
32	Key, 3/16 x 1-1/4" [See Note]	S34383
69	Washer, Impeller	S06314
71	Bracket	See Table II
73	Gasket, Volute	S04757
89	Seal, Mechanical Shaft	S32014
800	Capscrew, 3/8 - 16 x 1" (4 Req.) (For 4-1/2 AK)	S26826
800	Capscrew, 1/2 - 13 x 1" (4 Req.) (For 8-1/2 AK)	S26912
801	Stud, 1/2 - 13 x 1-1/2" (4 Req.)	S24043
802	Nut, 1/2 x 13 (4 Req.)	S23107
805	Washer, Lock	S23036
810	Plug, Pipe 1/4" NPT (5 Req.)	S23715
815	Ring, Retaining	S11207
•	Plug, Pipe 1/8" NPT (In Bracket)	S23714

• Not illustrated.

Table II

HP	PH	Bracket No.	"AK" Fit	"U" Dim.	Motor Frame
3	1	L05329	4-1/2"	7/8"	182JM
3	3	L05329	4-1/2"	7/8"	145JM
5	1	L05329	4-1/2"	7/8"	184JM
5	3	L05329	4-1/2"	7/8"	182JM
7.5	1	L05328	8-1/2"	7/8"	213JM
7.5	3	L05329	4-1/2"	7/8"	184JM
10	1	L05328	8-1/2"	7/8"	215JM
10	3	L05328	8-1/2"	7/8"	213JM

NOTE 1: For an explanation of the tabulated material found on this page and for impeller key location, refer to **Supplement A** located at the beginning of this section.

NOTE 2: For seal flush line details, see **Supplement D**.



BERKELEY® B2TPM

Silicon Bronze Impeller

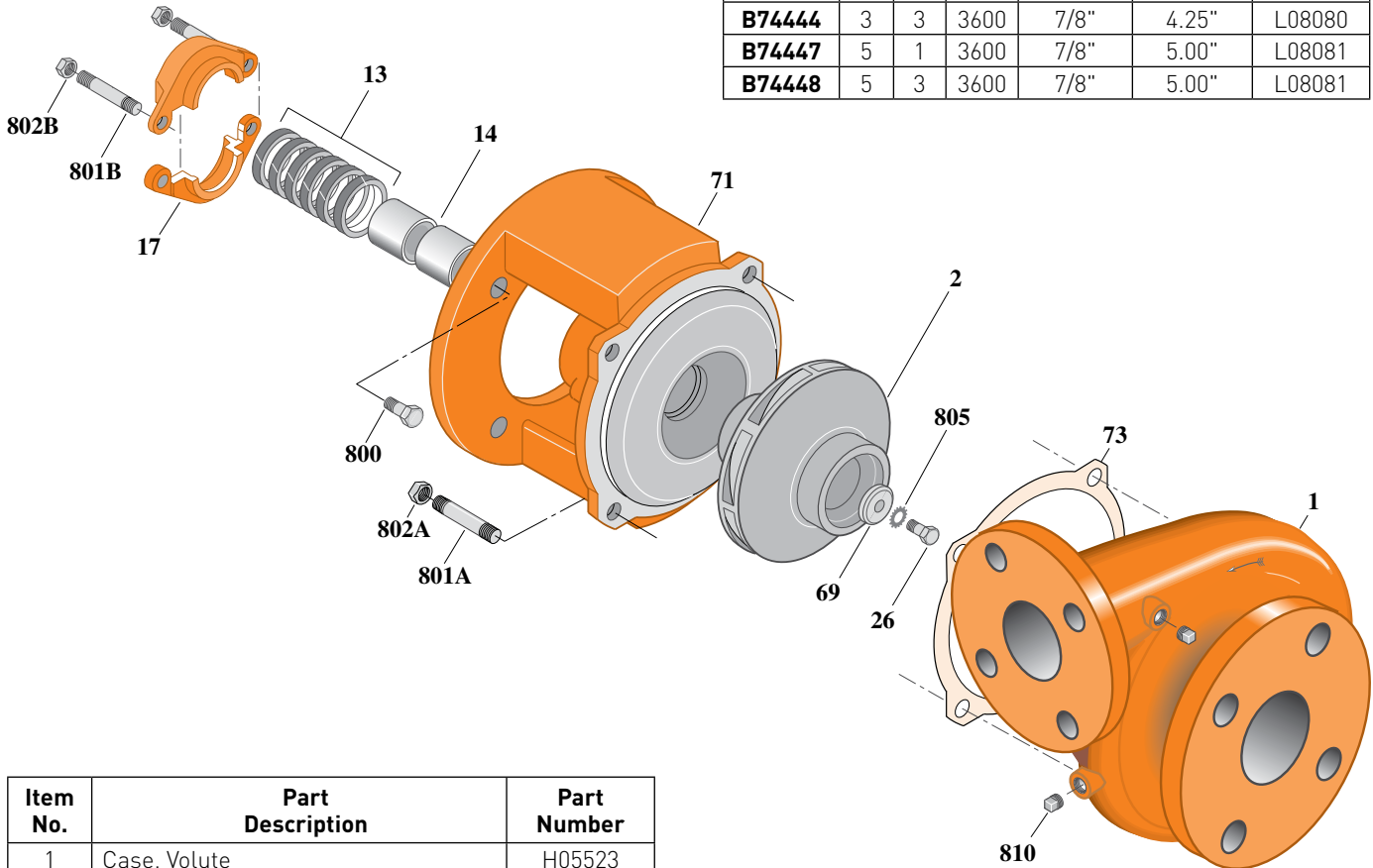
Flanged Case, Packing Construction

ELECTRIC MOTOR DRIVE

Section	CC
Page	70.10
Date	March 4, 2013
Supersedes 01/01/04	

Table I

B/M No.	HP	PH	RPM	"U" Dim.	Imp. Dia.	Imp. No.
B74443	3	1	3600	7/8"	4.25"	L08080
B74444	3	3	3600	7/8"	4.25"	L08080
B74447	5	1	3600	7/8"	5.00"	L08081
B74448	5	3	3600	7/8"	5.00"	L08081



1720C 0497

Item No.	Part Description	Part Number
1	Case, Volute	H05523
2	Impeller	See Table I
13	Rings, Packing (Set of 6)	S13469
14	Sleeve, Shaft (2 Req.)	S00619
17	Gland, Packing	B82469
26	Screw, Impeller 3/8 - 16 x 1-1/4"	S23568
32	Key, 3/16 x 1-1/4" (See Note)	S34383
69	Washer, Impeller	S06314
71	Bracket	See Table II
73	Gasket, Volute	S04757
800	Capscrew, 3/8 - 16 x 7/8" (4 Req.)	S26825
801A	Stud, 1/2 - 13 x 1-1/2" (4 Req.)	S24043
801B	Stud, 3/8 - 16 x 4" (2 Req.)	S08303
802A	Nut, Hex 1/2 - 13 (4 Req.)	S23107
802B	Nut, Hex 3/8 - 16 (2 Req.)	S23343
805	Washer, Lock	S23036
810	Plug, Pipe 1/4" NPT (4 Req.)	S23715

Table II

HP	PH	Bracket No.	"AK" Fit	"U" Dim.	Motor Frame
3	1	L01525	4-1/2"	7/8"	182JP
3	3	L01525	4-1/2"	7/8"	145JP
5	1	L01525	4-1/2"	7/8"	184JP
5	3	L01525	4-1/2"	7/8"	182JP

NOTE: For an explanation of the tabulated material found on this page and for impeller key location, refer to **Supplement A** located at the beginning of this section.



BERKELEY® B2TPM

Silicon Bronze Impeller

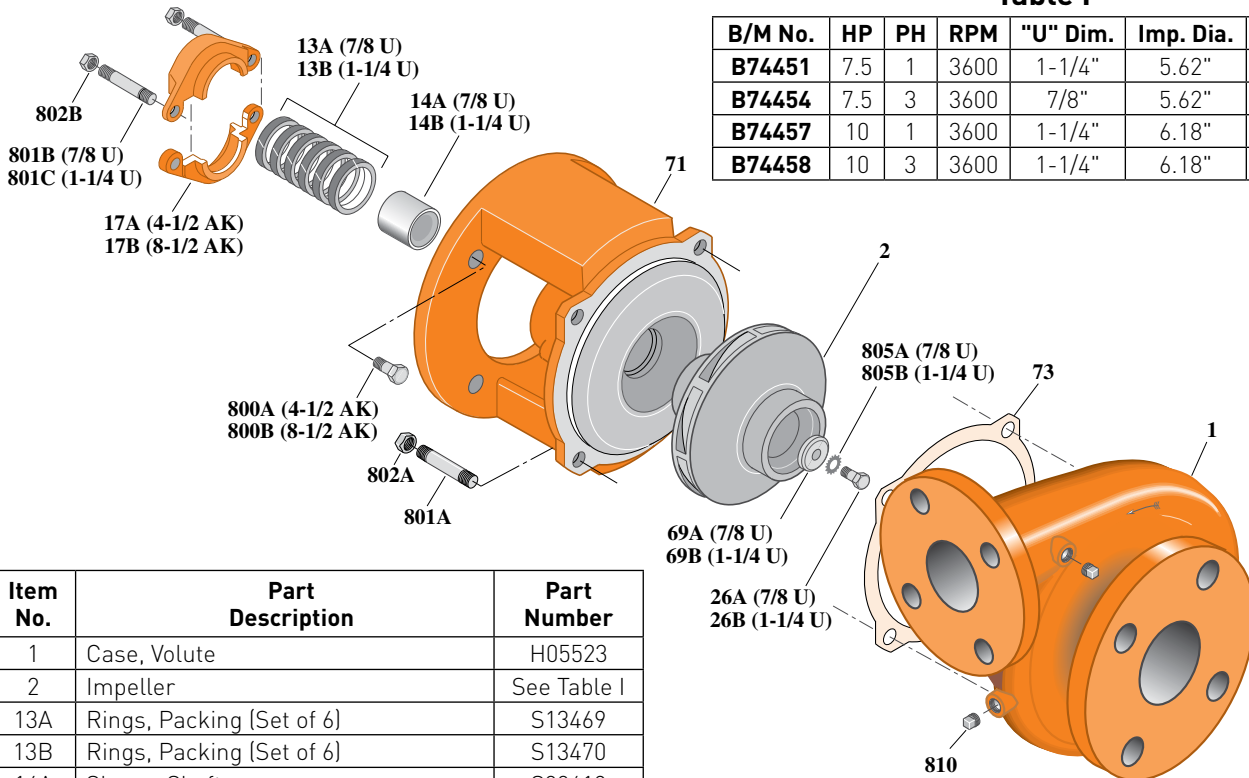
Flanged Case, Packing Construction

ELECTRIC MOTOR DRIVE

Section	CC
Page	70.11
Date	March 4, 2013
Supersedes 01/01/04	

Table I

B/M No.	HP	PH	RPM	"U" Dim.	Imp. Dia.	Imp. No.
B74451	7.5	1	3600	1-1/4"	5.62"	L08078
B74454	7.5	3	3600	7/8"	5.62"	L08082
B74457	10	1	3600	1-1/4"	6.18"	L08079
B74458	10	3	3600	1-1/4"	6.18"	L08079



Item No.	Part Description	Part Number
1	Case, Volute	H05523
2	Impeller	See Table I
13A	Rings, Packing [Set of 6]	S13469
13B	Rings, Packing [Set of 6]	S13470
14A	Sleeve, Shaft	S00619
14B	Sleeve, Shaft	S05149
17A	Gland, Packing	B82469
17B	Gland, Packing	B82470
26A	Screw, Impeller 3/8 - 16 x 1"	S23566
26B	Screw, Impeller 1/2 - 13 x 1-1/4"	S23621
32A	Key, 3/16 x 1-1/4" [See Note]	S34383
32B	Key, 1/4 x 2-1/4" [See Note]	S23677
69A	Washer, Impeller	S06314
69B	Washer, Impeller	S06317
71	Bracket	See Table II
73	Gasket, Volute	S04757
800A	Capscrew, 3/8 - 16 x 7/8" [4 Req.]	S26825
800B	Capscrew, 1/2 - 13 x 1" [4 Req.]	S26912
801A	Stud, 1/2 - 13 x 1-1/2" [4 Req.]	S24043
801B	Stud, 3/8 - 16 x 4" [2 Req.]	S08303
801C	Stud, 3/8 - 16 x 3-1/2" [2 Req.]	S04441
802A	Nut, Hex 1/2 - 13 [4 Req.]	S23107
802B	Nut, Hex 3/8 - 16 [2 Req.]	S23343
805A	Washer, Lock	S23036
805B	Washer, Lock	S23038
810	Plug, Pipe 1/4" NPT [4 Req.]	S23715

Table II

HP	PH	Bracket No.	"AK" Fit	"U" Dim.	Motor Frame
7.5	1	L01951	8-1/2"	1-1/4"	213JP
7.5	3	L01525	4-1/2"	7/8"	184JP
10	1	L01951	8-1/2"	1-1/4"	215JP
10	3	L01951	8-1/2"	1-1/4"	213JP

NOTE: For an explanation of the tabulated material found on this page and for impeller key location, refer to **Supplement A** located at the beginning of this section.



BERKELEY® B2TPMS Silicon Bronze Impeller

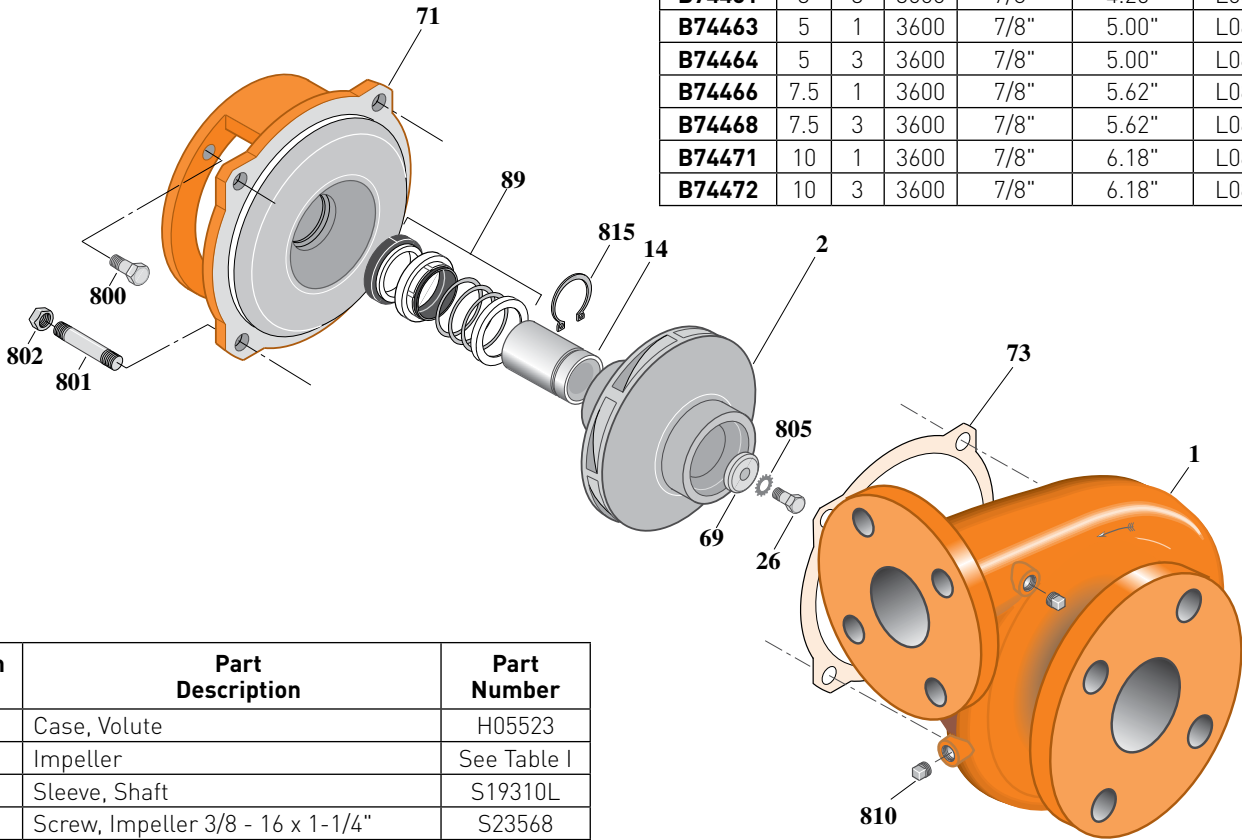
Flanged Case, Mechanical Shaft Seal Construction

ELECTRIC MOTOR DRIVE

Section	CC
Page	70.12
Date	March 4, 2013
Supersedes 01/01/04	

Table I

B/M No.	HP	PH	RPM	"U" Dim.	Imp. Dia.	Imp. No.
B74460	3	1	3600	7/8"	4.25"	L08080
B74461	3	3	3600	7/8"	4.25"	L08080
B74463	5	1	3600	7/8"	5.00"	L08081
B74464	5	3	3600	7/8"	5.00"	L08081
B74466	7.5	1	3600	7/8"	5.62"	L08082
B74468	7.5	3	3600	7/8"	5.62"	L08082
B74471	10	1	3600	7/8"	6.18"	L08083
B74472	10	3	3600	7/8"	6.18"	L08083



1480B 0497

Item No.	Part Description	Part Number
1	Case, Volute	H05523
2	Impeller	See Table I
14	Sleeve, Shaft	S19310L
26	Screw, Impeller 3/8 - 16 x 1-1/4"	S23568
32	Key, 3/16 x 1-1/4" [See Note]	S34383
69	Washer, Impeller	S06314
71	Bracket	See Table II
73	Gasket, Volute	S04757
89	Seal, Mechanical Shaft	S32014
800	Capscrew, 3/8 - 16 x 1" (4 Req.) (For 4-1/2 AK)	S26826
800	Capscrew, 1/2 - 13 x 1" (4 Req.) (For 8-1/2 AK)	S26912
801	Stud, 1/2 - 13 x 1-1/2" (4 Req.)	S24043
802	Nut, 1/2 x 13 (4 Req.)	S23107
805	Washer, Lock	S23036
810	Plug, Pipe 1/4" NPT (4 Req.)	S23715
815	Ring, Retaining	S11207
•	Plug, Pipe 1/8" NPT (In Bracket)	S23714

• Not illustrated.

Table II

HP	PH	Bracket No.	"AK" Fit	"U" Dim.	Motor Frame
3	1	L05329	4-1/2"	7/8"	182JM
3	3	L05329	4-1/2"	7/8"	145JM
5	1	L05329	4-1/2"	7/8"	184JM
5	3	L05329	4-1/2"	7/8"	182JM
7.5	1	L05328	8-1/2"	7/8"	213JM
7.5	3	L05329	4-1/2"	7/8"	184JM
10	1	L05328	8-1/2"	7/8"	215JM
10	3	L05328	8-1/2"	7/8"	213JM

NOTE 1: For an explanation of the tabulated material found on this page and for impeller key location, refer to **Supplement A** located at the beginning of this section.

NOTE 2: For seal flush line details, see **Supplement D**.

