

# BERKELEY® B4EYQBH

## Cast Iron Impeller

SAE ENGINE MOUNT

Flanged Case, Packing Construction

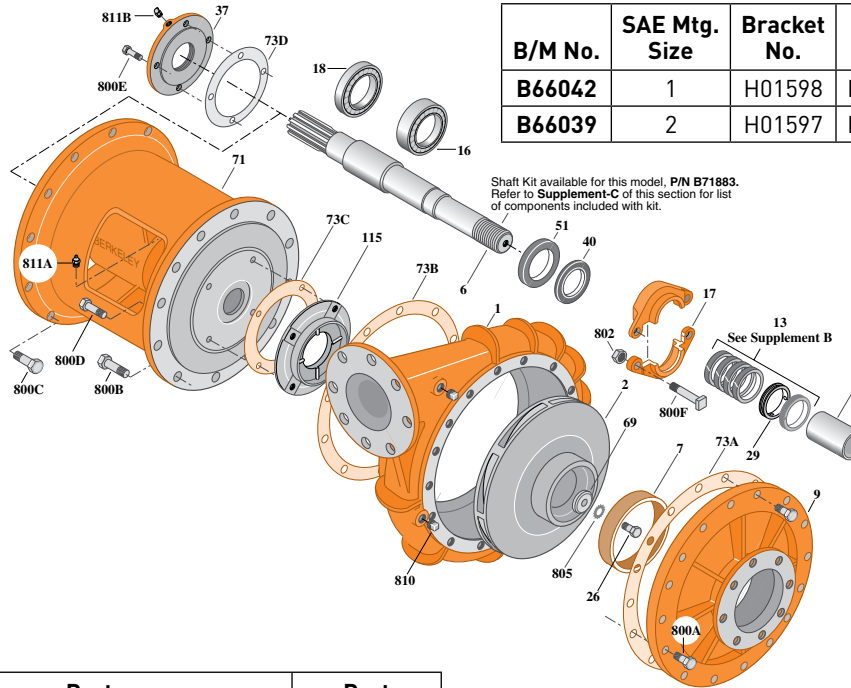


Section	SAE
Page	150.1
Date	March 4, 2013
Supersedes 12/01/11	

Questions? Call **1-800-810-1053**

Table I

B/M No.	SAE Mtg. Size	Bracket No.	Shaft No.	Shaft Spline No.	Shaft Ext.
<b>B66042</b>	1	H01598	M06183	1-1/2-10T	3"
<b>B66039</b>	2	H01597	M06183	1-1/2-10T	3"



Item No.	Part Description	Part Number
1	Case, Volute	L01536
2	Impeller	L02634
6	Shaft (See Note)	See Table I
7	Ring, Wearing	S15718
9	Cover, Suction	L01541
13	Ring, Packing (Set of 4)	S13436
14	Sleeve, Shaft	S05974
16	Bearing, Ball	S13396
17	Gland, Packing	B82472
18	Bearing, Ball	S13395
26	Screw, Impeller 1/2-13x1-1/4"	S23621
29	Ring, Lantern	S18993
37	Outer Bearing Cap	M04998
40	Slinger, Water	S10964
51	Seal, Oil	S14765
69	Washer, Impeller	S06319
71	Bracket	See Table I
73A	Gasket, Suction Cover	S06401
73B	Gasket, Volute	S06271

Item No.	Part Description	Part Number
73C	Gasket, Balance Ring	S09943
73D	Gasket	S18055
115	Ring, Balance	S12304
800A	Capscrew, Hex 5/8-11x1-3/4" (16 Req.)	S27001
800B	Capscrew, Hex 5/8-11x1-1/2" (12 Req.)	S26999
800C	Capscrew, Hex 7/16-14x1-1/4" (12 Req. - SAE 1)	S26872
800C	Capscrew, Hex 3/8-16x1-1/4" (12 Req. - SAE 2)	S26828
800D	Capscrew, Hex 3/8-16x1" (4 Req.)	S26826
800E	Capscrew, Hex 1/4-20x3/4" (4 Req.)	S23119
800F	Bolt, Sq. Head 1/2-13x2-3/4" (2 Req.)	S23794
802	Nut, Hex 1/2-13x7/16" (2 Req.)	S23347
805	Washer, Lock	S23038
810	Plug, Pipe 1/2 NPT (4 Req.)	S23717
811A	Fitting, Grease	S23670
811B	Fitting, Grease	S23702
•	Fitting, Grease	S23700

• Not illustrated.



# BERKELEY® B4EYQBH

## SAE ENGINE MOUNT

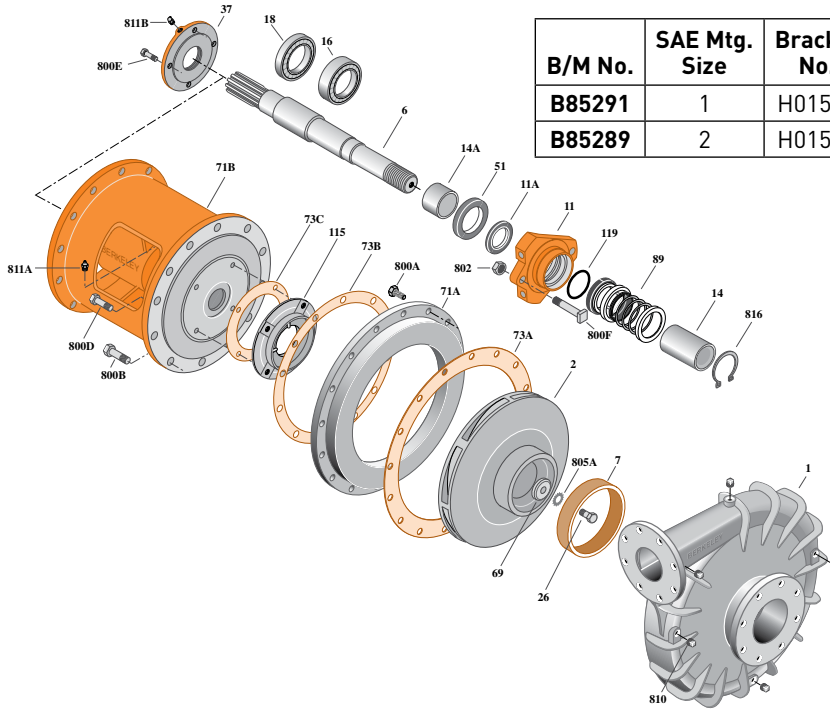
### Cast Iron Impeller

Flanged Case, Packing Construction

Section	SAE
Page	150.1.1
Date	March 4, 2013
Supersedes 12/01/11	

**Table I**

B/M No.	SAE Mtg. Size	Bracket No.	Shaft No.	Shaft Spline No.	Shaft Ext.
<b>B85291</b>	1	H01598	1-1/2-10T	3"	3"
<b>B85289</b>	2	H01597	1-1/2-10T	3"	2-1/2"



Item No.	Part Description	Part Number
1	Case, Volute	M13751
2	Impeller	L02634
6	Shaft (See Note)	KITB71883
7	Ring, Wearing	S15718
13	Ring, Packing (Set of 4)	S13436
14	Sleeve, Shaft	S05974
16	Bearing, Ball	S13396
17	Gland, Packing	B82472
18	Bearing, Ball	S13395
26	Screw, Impeller 1/2-13x1-1/4"	S23621
29	Ring, Lantern	S18993
37	Outer Bearing Cap	M04998
40	Slinger, Water	S10964
51	Seal, Oil	S14765
69	Washer, Impeller	S06319
71A	Ring, Adapter	M13753
71B	Bracket	See Table I
73A	Gasket, Suction Cover	S06401

Item No.	Part Description	Part Number
73B	Gasket, Volute	S06271
73C	Gasket, Balance Ring	S09943
115	Ring, Balance	S12304
800A	Capscrew, Hex 5/8-11x1-3/4" (16 Req.)	S27001
800B	Capscrew, Hex 5/8-11x1-1/2" (12 Req.)	S26999
800C	Capscrew, Hex 3/8-16x1-1/4" (12 Req. - SAE 1)	S26872
800C	Capscrew, Hex 3/8-16x1-1/4" (12 Req. - SAE 2)	S26828
800D	Capscrew, Hex 3/8-16x1" (4 Req.)	S26826
800E	Capscrew, Hex 1/4-20x3/4" (4 Req.)	S23119
800F	Bolt, Sq. Head 1/2-13x2-3/4" (2 Req.)	S23794
802	Nut, Hex 1/2-13x7/16" (2 Req.)	S23347
805	Washer, Lock	S23038
810	Plug, Pipe 1/2 NPT (4 Req.)	S23717
811A	Fitting, Grease	S23670
811B	Fitting, Grease	S23702
•	Fitting, Grease	S23700

• Not illustrated.



# BERKELEY® B4EYQBH

## SAE ENGINE MOUNT

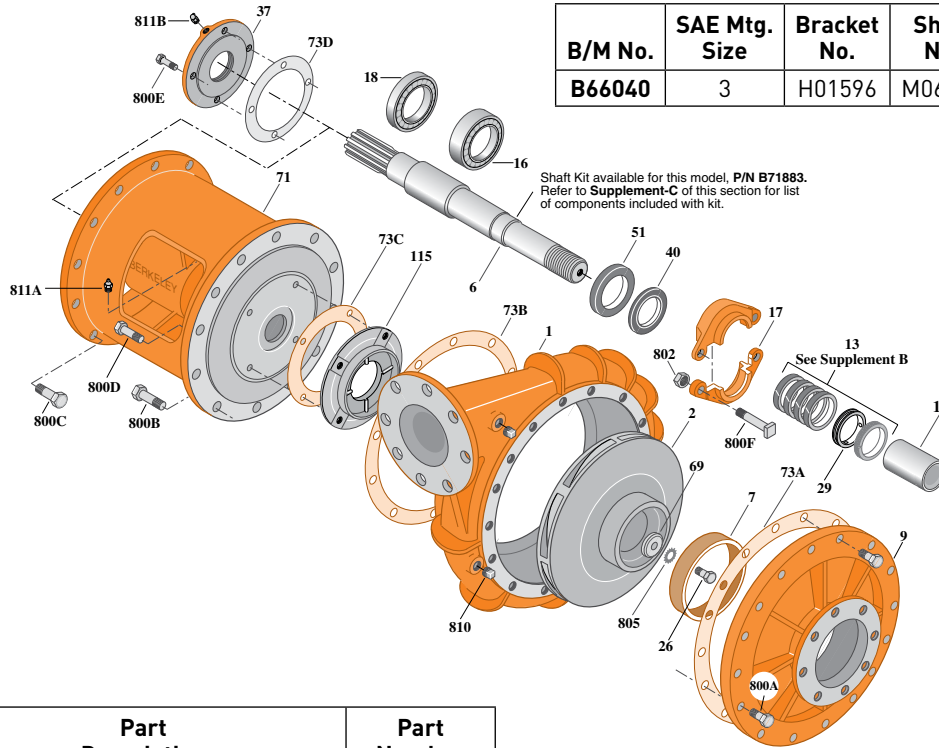
### Cast Iron Impeller

Flanged Case, Packing Construction

Section	SAE
Page	150.2
Date	March 4, 2013
Supersedes 12/01/11	

**Table I**

B/M No.	SAE Mtg. Size	Bracket No.	Shaft No.	Shaft Spline No.	Shaft Ext.
B66040	3	H01596	M06183	1-1/2-10T	3"



Item No.	Part Description	Part Number
1	Case, Volute	L01536
2	Impeller	L02634
6	Shaft [See Note]	See Table I
7	Ring, Wearing	S15718
9	Cover, Suction	L01541
13	Ring, Packing [Set of 4]	S13436
14	Sleeve, Shaft	S05974
16	Bearing, Ball	S13396
17	Gland, Packing	B82472
18	Bearing, Ball	S13395
26	Screw, Impeller 1/2-13x1-1/4"	S23621
29	Ring, Lantern	S18993
37	Outer Bearing Cap	M04998
40	Slinger, Water	S10964
51	Seal, Oil	S14765
69	Washer, Impeller	S06319
71	Bracket	See Table I
73A	Gasket, Suction Cover	S06401

Item No.	Part Description	Part Number
73B	Gasket, Volute	S06271
73C	Gasket, Balance Ring	S09943
73D	Gasket	S18055
115	Ring, Balance	S12304
800A	Capscrew, Hex 5/8-11x1-3/4" [16 Req.]	S27001
800B	Capscrew, Hex 5/8-11x1-1/2" [12 Req.]	S26999
800C	Capscrew, Hex 3/8-16x1-1/4" [12 Req.]	S26828
800D	Capscrew, Hex 3/8-16x1" [4 Req.]	S26826
800E	Capscrew, Hex 1/4-20x3/4" [4 Req.]	S23119
800F	Bolt, Sq. Head 1/2-13x2-3/4" [2 Req.]	S23794
802	Nut, Hex 1/2-13x7/16" [2 Req.]	S23347
805	Washer, Lock	S23038
810	Plug, Pipe 1/2 NPT [4 Req.]	S23717
811A	Fitting, Grease	S23670
811B	Fitting, Grease	S23702
•	Fitting, Grease	S23700

• Not illustrated.



# BERKELEY® B4EYQBH

SAE ENGINE MOUNT

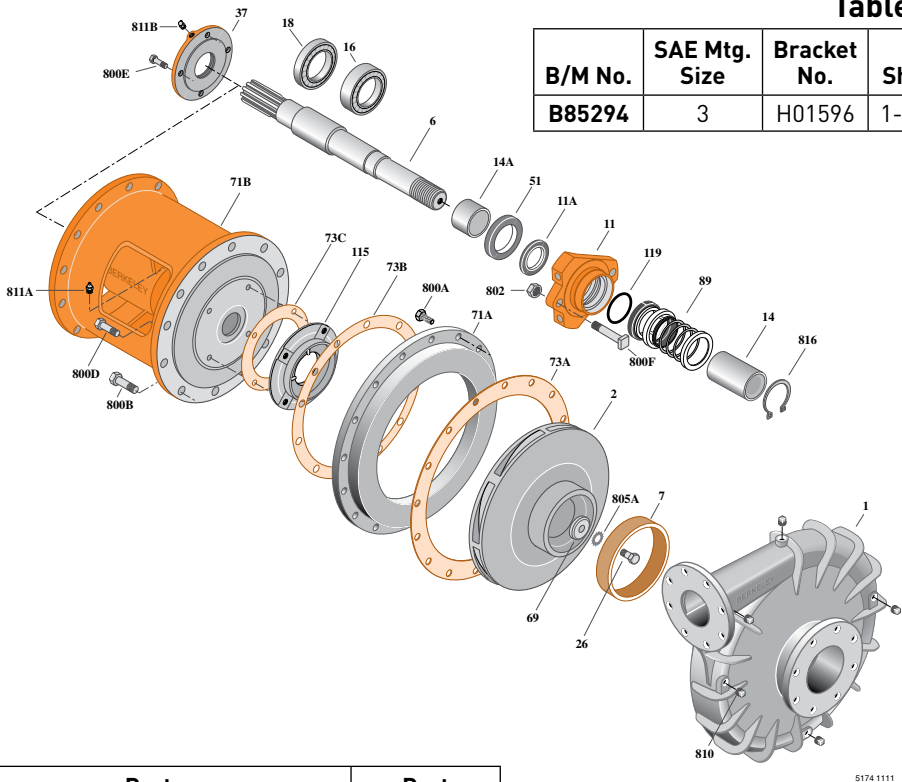
## Cast Iron Impeller

Flanged Case, Packing Construction

Section	SAE
Page	150.2.1
Date	March 4, 2013
Supersedes 12/01/11	

Table I

B/M No.	SAE Mtg. Size	Bracket No.	Shaft No.	Shaft Spline No.	Shaft Ext.
B85294	3	H01596	1-1/2-10T	3"	3"



Item No.	Part Description	Part Number
1	Case, Volute	M13751
2	Impeller	L02634
6	Shaft [See Note]	KITB71883
7	Ring, Wearing	S15718
13	Ring, Packing [Set of 4]	S13436
14	Sleeve, Shaft	S05974
16	Bearing, Ball	S13396
17	Gland, Packing	B82472
18	Bearing, Ball	S13395
26	Screw, Impeller 1/2-13x1-1/4"	S23621
29	Ring, Lantern	S18993
37	Outer Bearing Cap	M04998
40	Slinger, Water	S10964
51	Seal, Oil	S14765
69	Washer, Impeller	S06319
71A	Ring, Adapter	M13753
71B	Bracket	See Table I

Item No.	Part Description	Part Number
73A	Gasket, Suction Cover	S06401
73B	Gasket, Volute	S06271
73C	Gasket, Balance Ring	S09943
115	Ring, Balance	S12304
800A	Capscrew, Hex 5/8-11x1-3/4" [16 Req.]	S27001
800B	Capscrew, Hex 5/8-11x1-1/2" [12 Req.]	S26999
800C	Capscrew, Hex 3/8-16x1-1/4" [12 Req.]	S26828
800D	Capscrew, Hex 3/8-16x1" [4 Req.]	S26826
800E	Capscrew, Hex 1/4-20x3/4" [4 Req.]	S23119
800F	Bolt, Sq. Head 1/2-13x2-3/4" [2 Req.]	S23794
802	Nut, Hex 1/2-13x7/16" [2 Req.]	S23347
805	Washer, Lock	S23038
810	Plug, Pipe 1/2 NPT [4 Req.]	S23717
811A	Fitting, Grease	S23670
811B	Fitting, Grease	S23702
•	Fitting, Grease	S23700

• Not illustrated.



# BERKELEY® B4EYQBHS

SAE ENGINE MOUNT

## Cast Iron Impeller

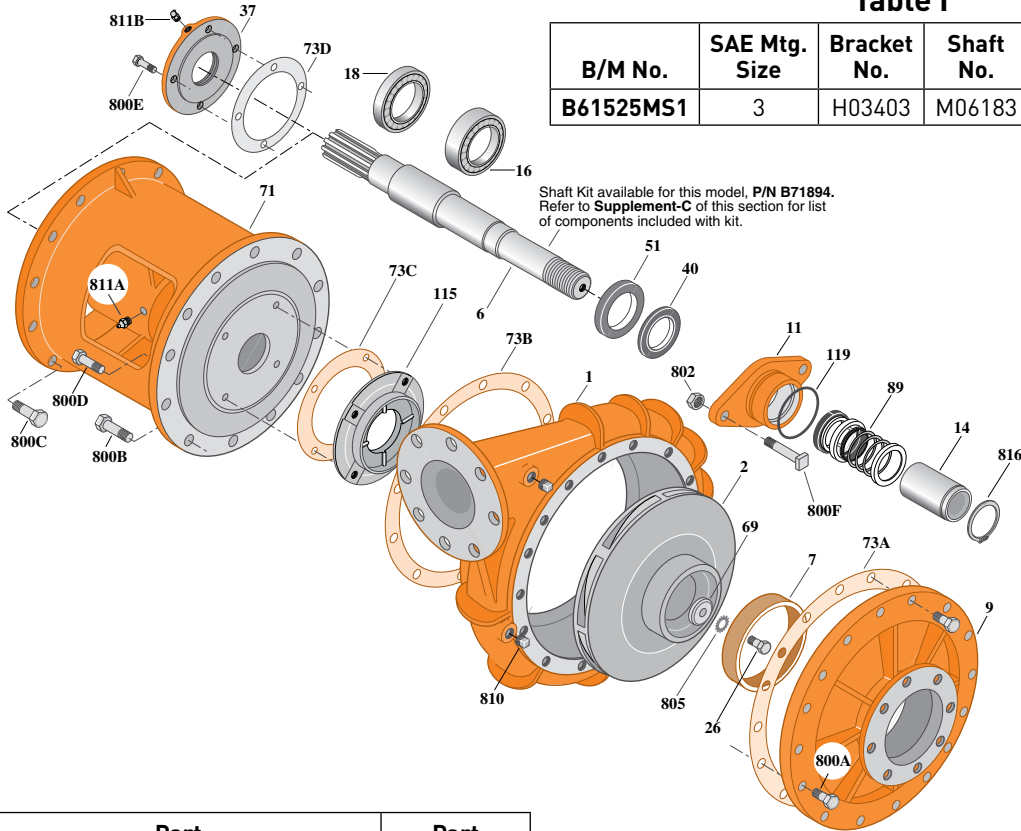
Flanged Case, Mechanical Seal Construction



Questions? Call **1-800-810-1053**

Table I

B/M No.	SAE Mtg. Size	Bracket No.	Shaft No.	Shaft Spline No.	Shaft Ext.
B61525MS1	3	H03403	M06183	1-1/2-10T	3"



Item No.	Part Description	Part Number
1	Case, Volute	L01536
2	Impeller	L02634
6	Shaft (See Note)	See Table I
7	Ring, Wearing	S15718
9	Cover, Suction	L01541
11	Retainer, Mechanical Seal	S11452
14	Sleeve, Shaft	S33429
16	Bearing, Ball	S13396
18	Bearing, Ball	S13395
26	Screw, Impeller 1/2-13x1"	S23619
37	Outer Bearing Cap	M04998
51	Seal, Oil	S14765
69	Washer, Impeller	S06319
71	Bracket	See Table I
73A	Gasket, Suction Cover	S06401
73B	Gasket, Volute	S06271
73C	Gasket, Balance Ring	S09943

Item No.	Part Description	Part Number
73D	Gasket	S18055
89	Seal, Mechanical Shaft	S32694
115	Ring, Balance	S13655
119	O-Ring	S26471
800A	Capscrew, Hex 5/8-11x1-3/4" [16 Req.]	S27001
800B	Capscrew, Hex 5/8-11x1-1/2" [12 Req.]	S26999
800C	Capscrew, Hex 3/8-16x1-1/4" [12 Req.]	S26828
800D	Capscrew, Hex 3/8-16x1" [4 Req.]	S26826
800E	Capscrew, Hex 1/4-20x3/4" [4 Req.]	S23119
800F	Bolt, Sq. Head 1/2-13x2-1/4" [2 Req.]	S23792
802	Nut, Hex 1/2-13x7/16" [2 Req.]	S23347
805	Washer, Lock	S23038
810	Plug, Pipe 1/2 NPT [4 Req.]	S23717
811A	Fitting, Grease	S23670
811B	Fitting, Grease	S23702
816	Ring, Retaining	S29341



# BERKELEY® B4EYQBHS

## SAE ENGINE MOUNT

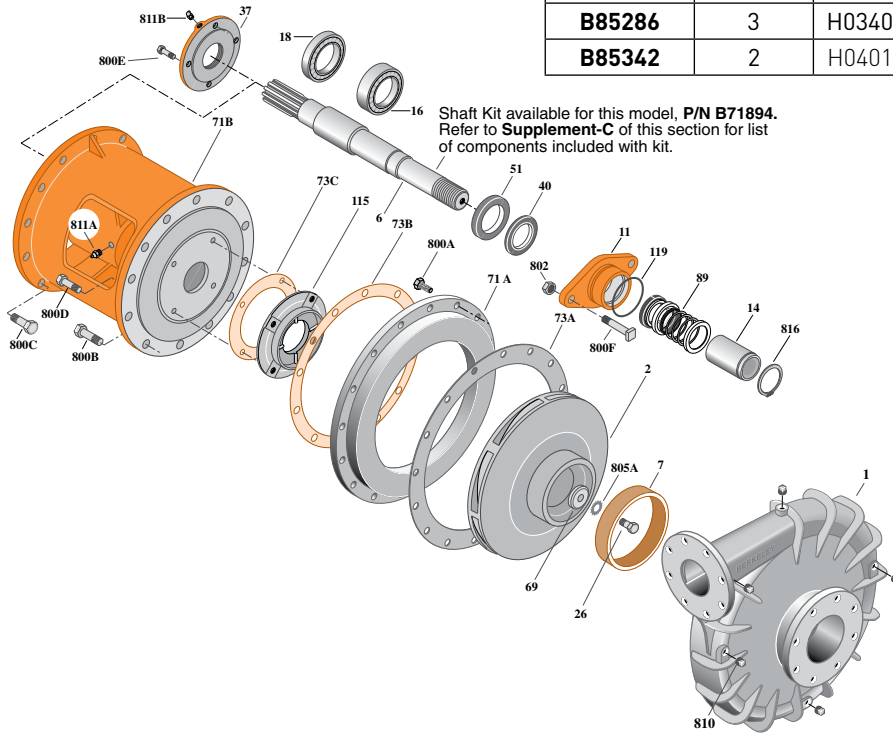
### Cast Iron Impeller

Flanged Case, Mechanical Seal Construction

Section	SAE
Page	150.3.1
Date	March 4, 2013
Supersedes 12/01/11	

**Table I**

B/M No.	SAE Mtg. Size	Bracket No.	Shaft No.	Shaft Spline No.	Shaft Ext.
<b>B85286</b>	3	H03403	1-1/2-10T	3"	3"
<b>B85342</b>	2	H04011	1-1/2-10T	3"	2-1/2"



Item No.	Part Description	Part Number
1	Case, Volute	M13751
2	Impeller	L02634
6	Shaft	KITB71894
7	Ring, Wearing	S15718
11	Retainer, Mechanical Seal	S11452
14	Sleeve, Shaft	S33429
16	Bearing, Ball	S13396
18	Bearing, Ball	S13395
26	Screw, Impeller 1/2-13x1"	S23619
37	Outer Bearing Cap	M04998
51	Seal, Oil	S14765
69	Washer, Impeller	S06319
71A	Ring, Adapter	M13753
71B	Bracket	See Table I
73A	Gasket, Suction	S06401
73B	Gasket, Volute	S06271

Item No.	Part Description	Part Number
73C	Gasket, Balance Ring	S09943
89	Seal, Mechanical Shaft	S32694
115	Ring, Balance	S13655
119	O-Ring	S26471
800A	Capscrew, Hex 5/8-11x1-3/4" [16 Req.]	S27001
800B	Capscrew, Hex 5/8-11x1-1/2" [12 Req.]	S26999
800C	Capscrew, Hex 3/8-16x1-1/4" [12 Req.]	S26828
800D	Capscrew, Hex 3/8-16x1" [4 Req.]	S26826
800E	Capscrew, Hex 1/4-20x3/4" [4 Req.]	S23119
800F	Bolt, Sq. Head 1/2-13x2-1/4" [2 Req.]	S23792
802	Nut, Hex 1/2-13x7/16" [2 Req.]	S23347
805	Washer, Lock	S23038
810	Plug, Pipe 1/2 NPT [4 Req.]	S23717
811A	Fitting, Grease	S23670
811B	Fitting, Grease	S23702
816	Ring, Retaining	S29341



# BERKELEY® B4EYQBHS

SAE ENGINE MOUNT

## Cast Iron Impeller

Flanged Case, Mechanical Shaft Seal Construction

Section	SAE
Page	150.4
Date	March 4, 2013
Supersedes 01/01/12	

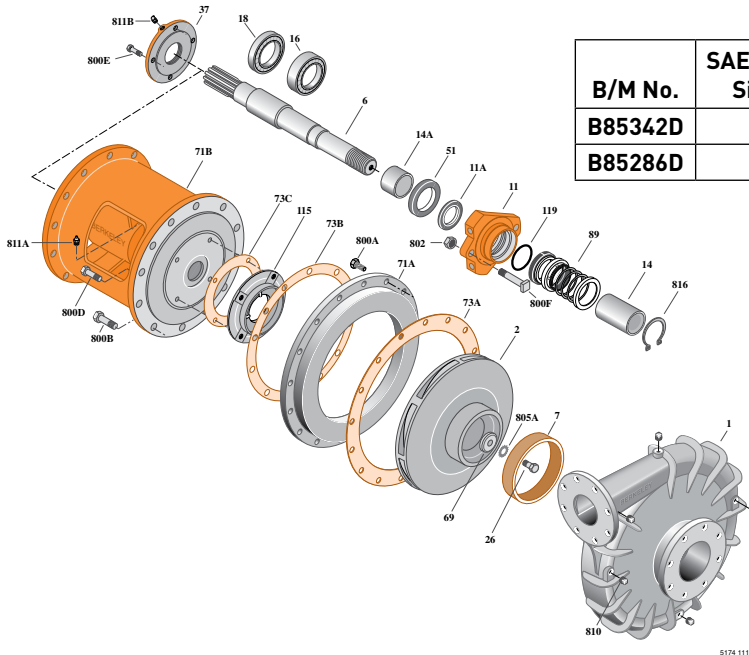


Table I

B/M No.	SAE Mtg. Size	Bracket No.	Shaft No.	Shaft Spline No.	Shaft Ext.
B85342D	2	M14967	M06183	1-1/2-10T	3"
B85286D	3	M14966	M06183	1-1/2-10T	3"

Item No.	Part Description	Part Number
1	Case, Volute	M13751
2	Impeller	L02634
6	Shaft	See Table 1
7	Ring, Wearing	S15718
11	Retainer, Mechanical Shaft Seal, Dry Run	M14959
11A	Dry run Gland Lip Seal	M12337
14	Sleeve, Shaft	S33429L
14A	Sleeve, Shaft	M14971
16	Bearing, Ball	S13396
18	Bearing, Ball	S13395
26	Screw, Impeller 1/2-13x1-1/4"	S23621
37	Outer Bearing Cap Assembly	M04998
51	Seal, Oil	S14765
69	Washer, Impeller	S06319
71A	Ring, adapter	M13753
71B	Bracket	See Table 1
73A	Gasket, Volute	S06271
73B	Gasket, Suction cover	S06401
73C	Gasket, Balance Ring	S09943
89	Seal, Mechanical Shaft	S32693
115	Ring, Balance	S13655

Item No.	Part Description	Part Number
119	O-Ring	M14972
800B	Capscrew, Hex 5/8-11x1-1/2" (10 Rqd.)	S26999
800B	Capscrew, Hex 5/8-11x1-3/4" (2 Rqd.) top ctr	S27001
800D	Capscrew, Hex 1/4-20x3/4" (4 Rqd.)	S26826
800E	Capscrew, Hex 1/4-20 X 3/4LG CR (4 Rqd.)	S23119
800F	Bolt, Sq. Head 1/2-13x2-1/4" (2 Rqd.)	S23792
802	Nut, Hex 1/2-13 (2 Rqd.)	S23347
805A	Washer, Lock	S23038
810	Plug, Pipe 1/2 NPT (4 Rqd.)	S23717
811A	Fitting, Grease	S23670
811B	Fitting, Grease	S23702
816	Ring, Retaining	S29341

**NOTE 1: Shaft Replacement Kit** is available for this model. Berkeley part number **B71894**. Pump shaft sold in replacement kit only. Refer to **Supplement C** for shaft kit components.

**NOTE 2:** Refer to **Supplement F** for dry run tank repair parts. Dry run lubrication system requires one gallon of food grade hydraulic oil (FGHO), viscosity 150 SSU at 100° F. Oil not supplied, purchase locally.

