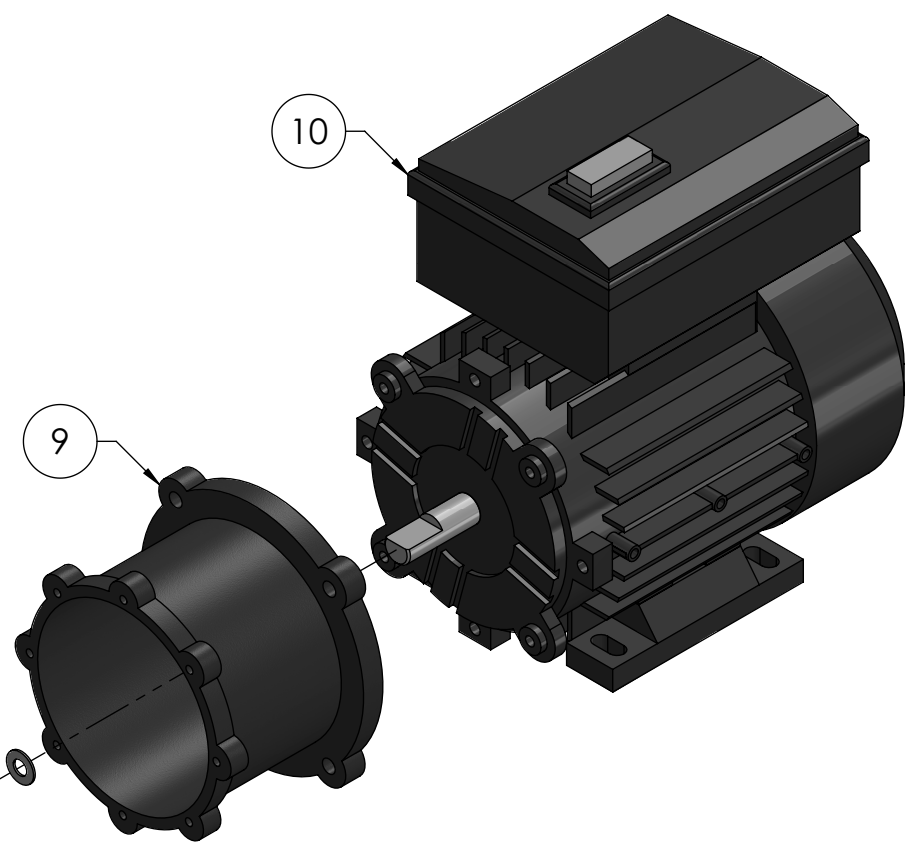
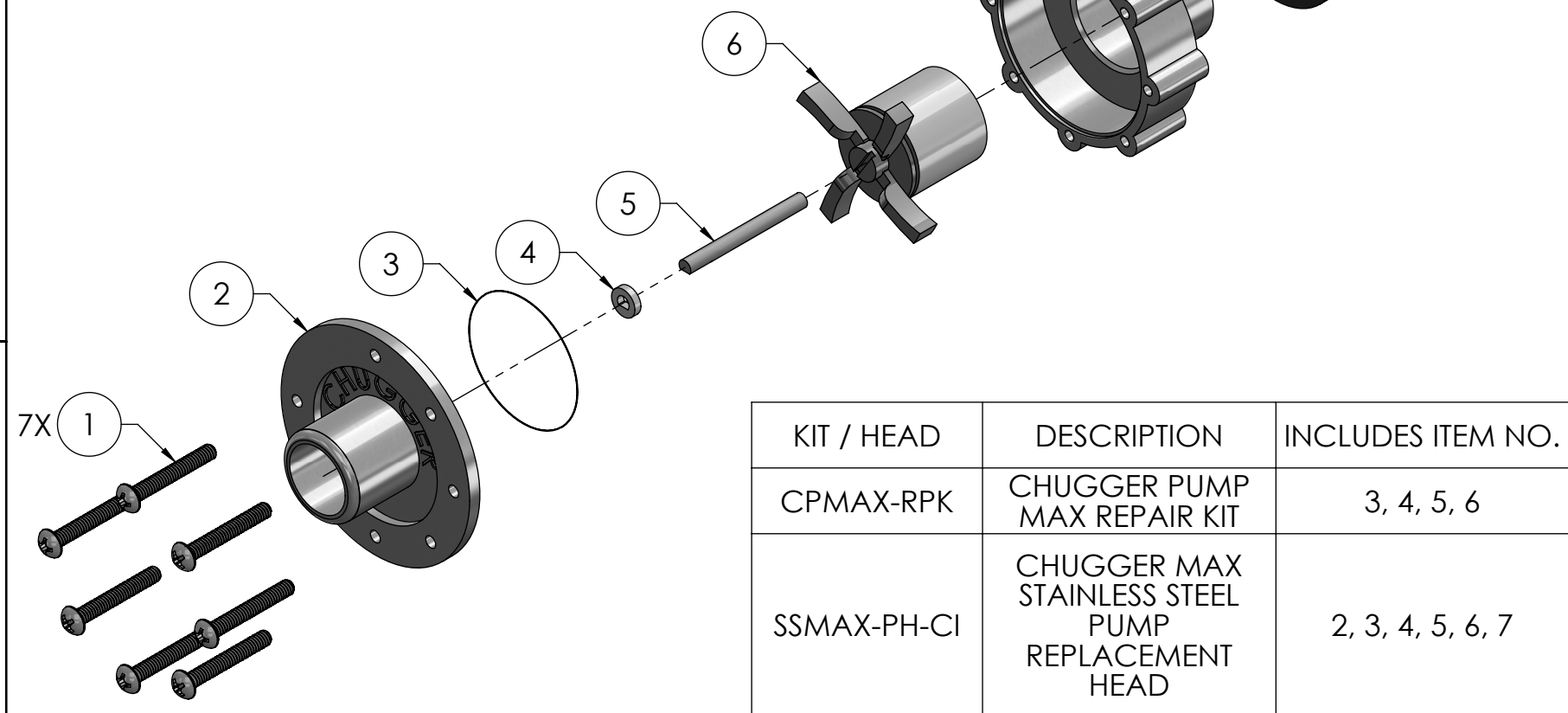


3D VIEW



4X (11)
4X (12)

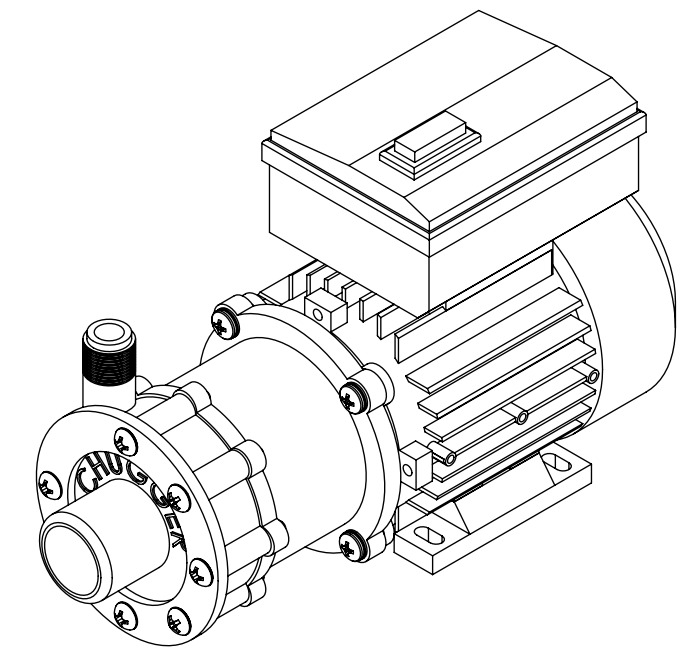
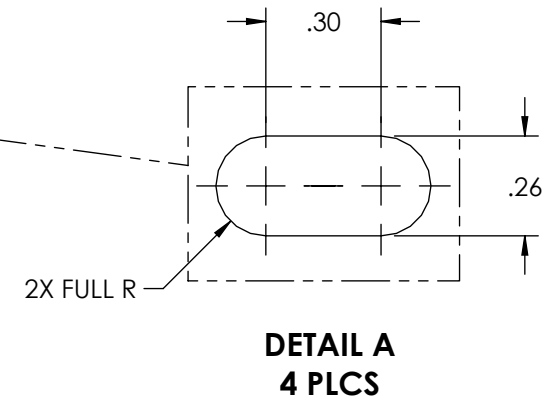
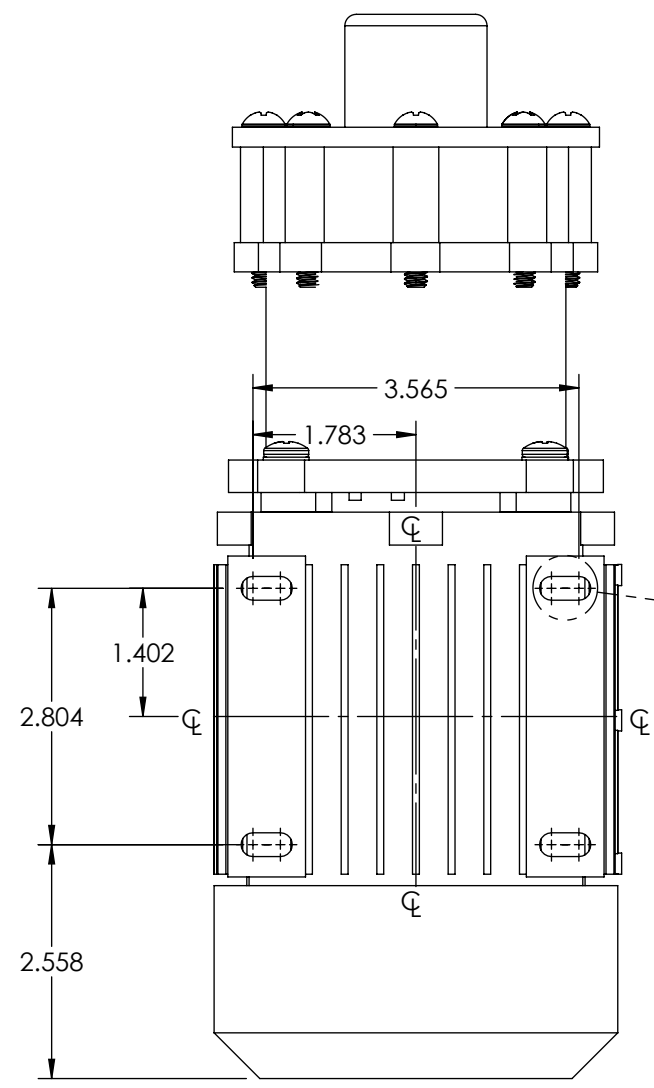
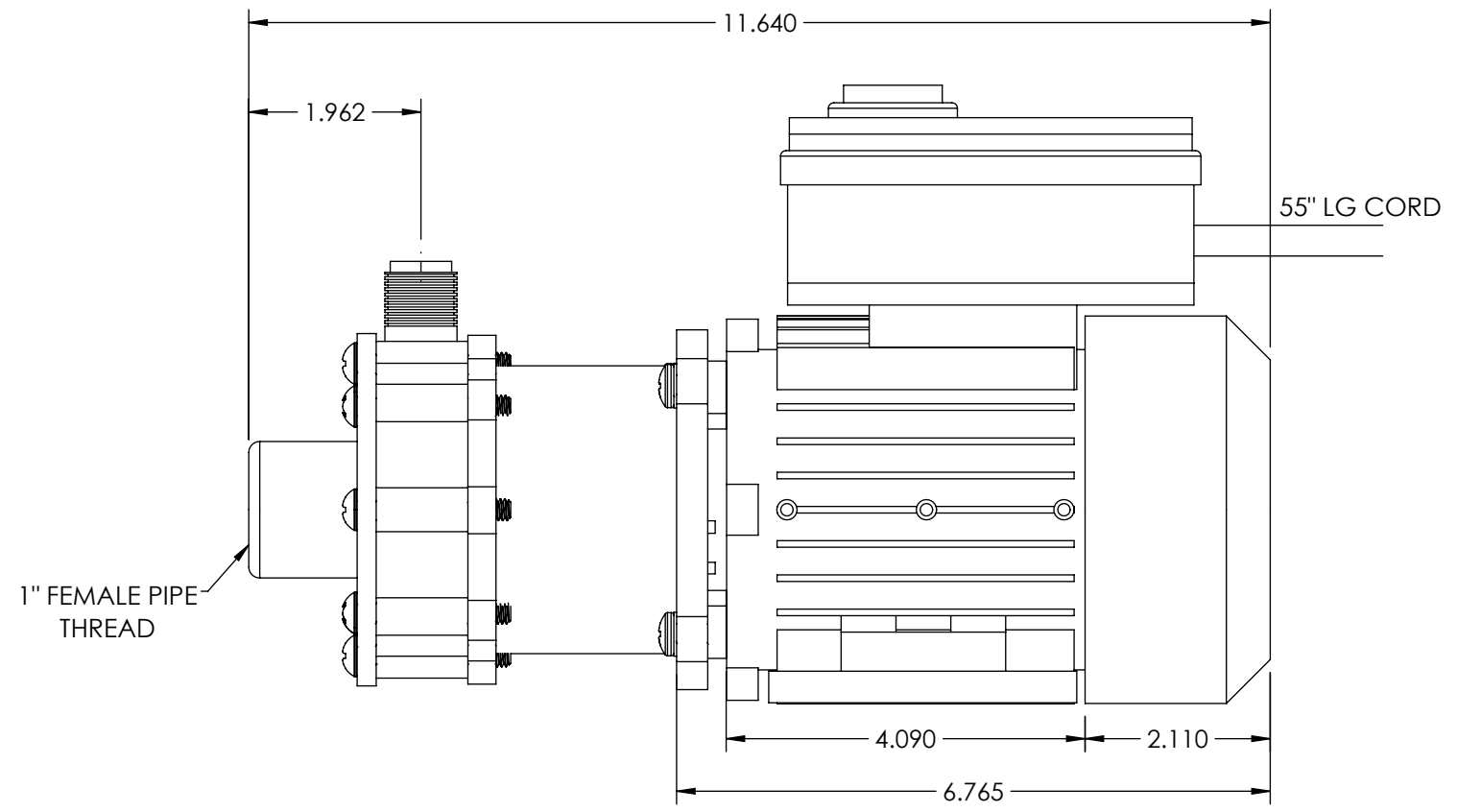
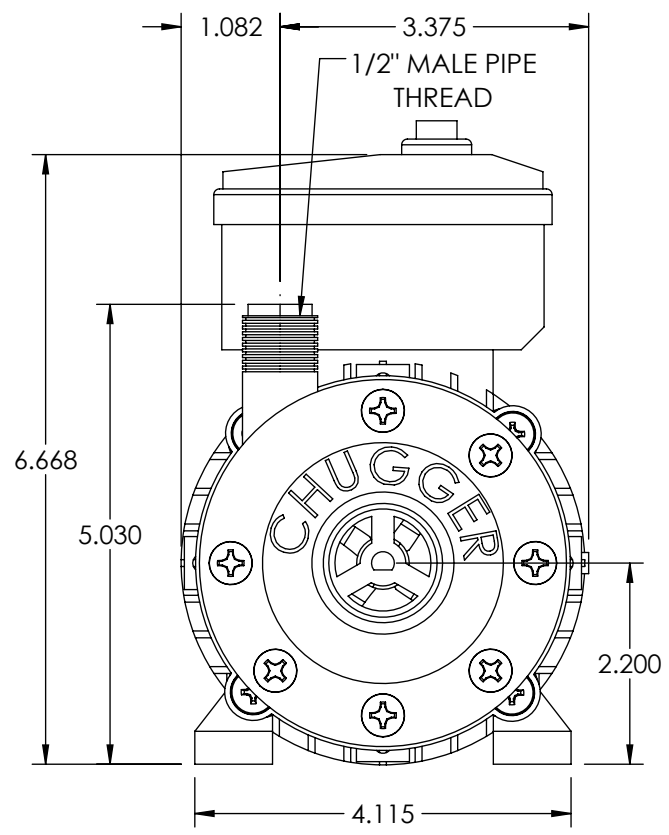
| KIT / HEAD | DESCRIPTION | INCLUDES ITEM NO. |
|-------------|---|-------------------|
| CPMAX-RPK | CHUGGER PUMP MAX REPAIR KIT | 3, 4, 5, 6 |
| SSMAX-PH-CI | CHUGGER MAX STAINLESS STEEL PUMP REPLACEMENT HEAD | 2, 3, 4, 5, 6, 7 |

| ITEM NO. | PART NUMBER | DESCRIPTION | QTY. |
|----------|-----------------------|-------------------------------------|------|
| 1 | CPMAX-21 | SCREW, SS, 4 x 45 mm | 7 |
| 2 | SSMAX-PH-CI | FRONT COVER, STAINLESS STEEL | 1 |
| 3 | CPMAX-23 | O-RING, SILICONE, 77 x 1.8 mm | 1 |
| 4 | CPMAX-24-2 | THRUST WASHER, CERAMIC | 1 |
| 5 | CPMAX-24-1 | SHAFT, 316 SS, 63.7 x 6.33 mm | 1 |
| 6 | CPMAX-25 | IMPELLER, PSS + TFE, SS, 40 x 48 mm | 1 |
| 7 | SSMAX-PH-CI | REAR HOUSING, STAINLESS STEEL | 1 |
| 8 | CPMAX-27 | MAGNET, REINFORCED PA66 | 1 |
| 9 | CPMAX-28 | BRACKET, REINFORCED PA66 | 1 |
| 10 | NOT SOLD INDIVIDUALLY | TEFC MOTOR | 1 |
| 11 | N/A | WASHER, 1/4" | 4 |
| 12 | N/A | REAR HOUSING BOLT | 4 |

| | | | |
|--|--------------------|-----------------|----------------------|
| ASSEMBLY TYPE: TCPSSMAX | ITEM CODE: N/A | ASSEMBLY | |
| DRAWN BY: | DATE: 1/18/2018 | | Do not scale drawing |
| DESCRIPTION: TCPSSMAX-CI (115/230V) | | HANDING: N/A | Sheet 1 of 2 |

8 7 6 5 4 3 2 1

D
C
B
A



3D VIEW

| | | | |
|--|--------------------|----------------------|--------------|
| ASSEMBLY TYPE: TCPSSMAX | ITEM CODE: N/A | ASSEMBLY | |
| DRAWN BY: | DATE: 1/18/2018 | Do not scale drawing | |
| DESCRIPTION: TCPSSMAX-CI (115/230V) | | HANDING: N/A | Sheet 2 of 2 |

8 7 6 5 4 3 2 1