



DB7P with Gas Engine Option

Ideal for environments lacking a traditional source of electricity. The gas engine options powers FTI's high performance DB, SP, & UC Series mag drive chemical pumps with a commercial grade Honda gas engine. For use with DB6-22, SP10-22, & UCI models.

GAS ENGINE FEATURES

- Honda commercial grade for the ultimate in durability and reliability
- Air cooled, four stroke OHV (overhead valve) single cylinder design
- OHV enhances combustion efficiency and reduces fuel and oil consumption
- Cast iron cylinder
- Electronic ignition, automatic decompression system, and finely tuned carburetor ensures low effort, easy starting
- EPA/CARB compliant
- Oil Alert feature prevents engine damage if oil is low
- 3600 rpm ensures high level of pump performance
- Operates about two hours on a tank of gas
- Four engines make appropriate model selection easy:
 - 2.8 hp (2.1 kW) engine fits DB6-10 and SP 10 models
 - 3.5 hp (2.6 kW) engine fits DB11 and SP11 models
 - 5.5 hp (4.1 kW) engine fits DB15 and SP15 models
 - 11 hp (8.2 kW) engine fits DB22, SP22, & UCI models



SP22P with Gas Engine Option & Pump Cage

PUMP FEATURES:

- Sealless mag drive construction
- Five-year warranty
- Corrosion resistant polypropylene, PVDF, or ETFE
- FKM, EPDM, Kalrez, Simriz, & Aflas elastomer options
- Horizontal (DB Series), self-priming horizontal (SP Series), & heavy duty UC Series UCI models
- Self-priming version provides lift up to 25 feet (7.6 meters) of lift
- Use 3450 rpm curves for impeller selection
- Refer to DB, SP, & UC Series technical fliers for additional information

APPLICATIONS:

- Chemical delivery trucks
- Hazmat trucks
- Emergency backup for containment pits
- Chemical transfer in areas with limited access to electrical power

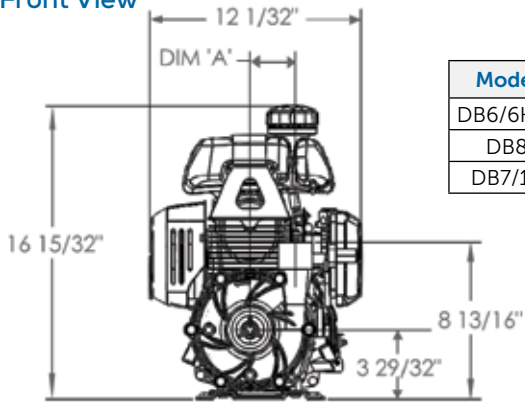


UC326 with Gas Engine Option

GAS ENGINE OPTION: DB DIMENSIONS

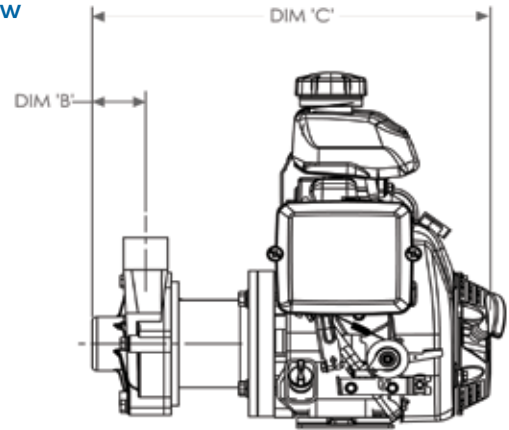
DB6-10 Installation

Front View



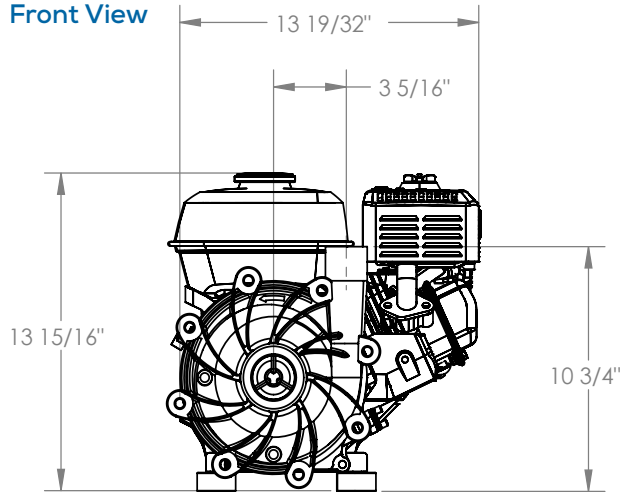
Model	DIM 'A'	DIM 'B'	DIM 'C'
DB6/6H/9	2-9/32"	2-15/32"	17-1/8"
DB8	2-1/2"	2-11/32"	16-31/32"
DB7/10	2-19/32"	2-9/32"	17-1/8"

Side View

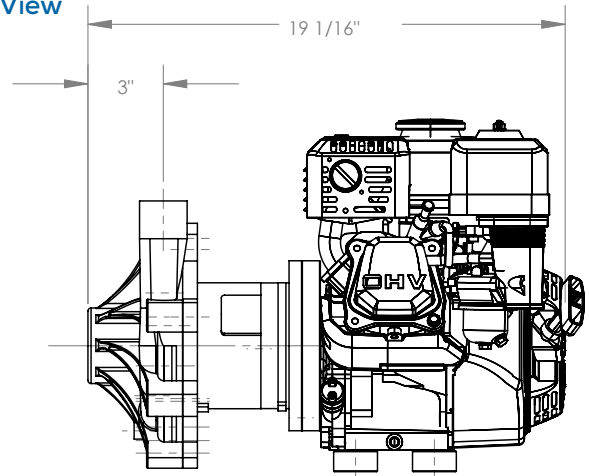


DB11/15 Installation

Front View

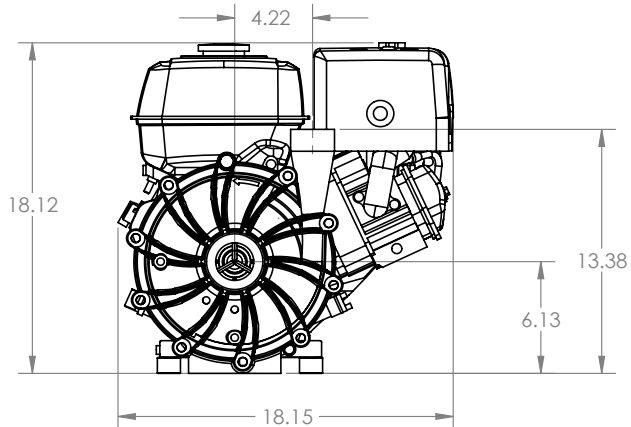


Side View

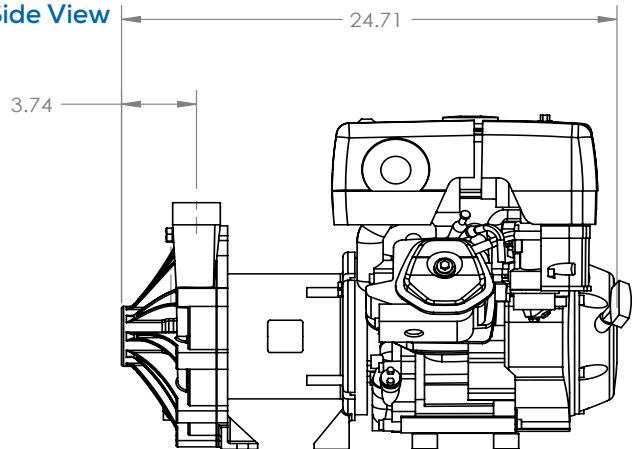


DB22 Installation

Front View



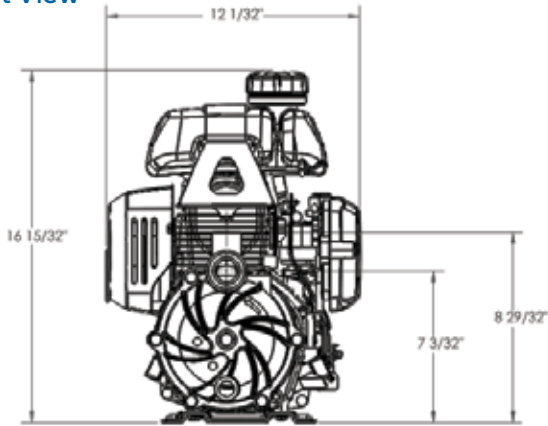
Side View



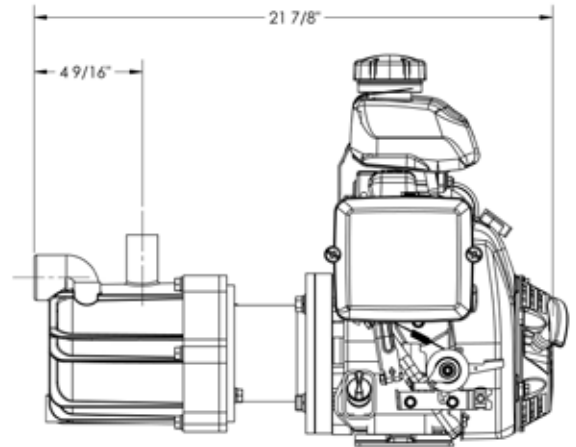
GAS ENGINE OPTION: SP DIMENSIONS

SP10 Installation

Front View

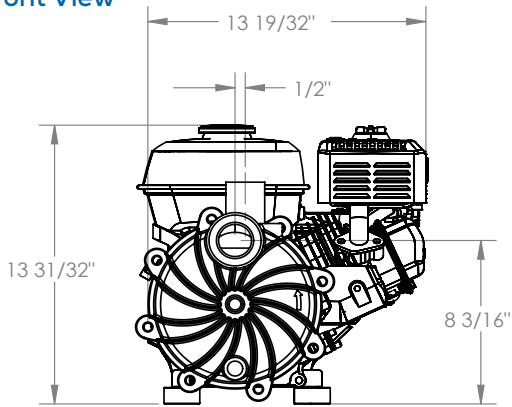


Side View

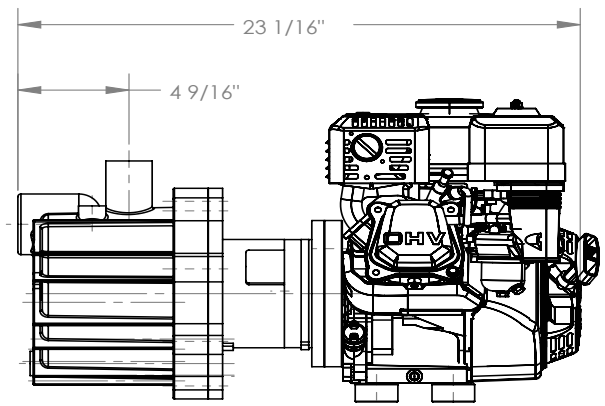


SP11/15 Installation

Front View

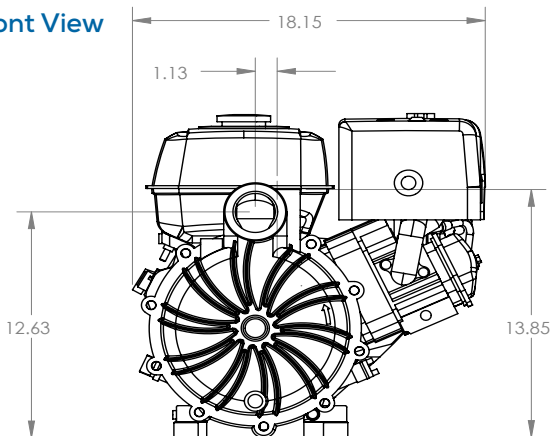


Side View

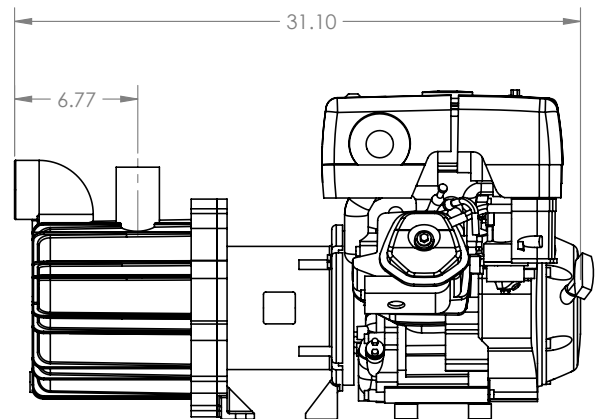


SP22 Installation

Front View

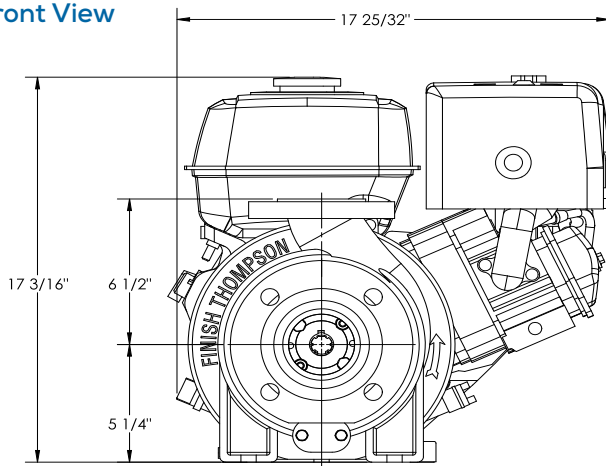


Side View

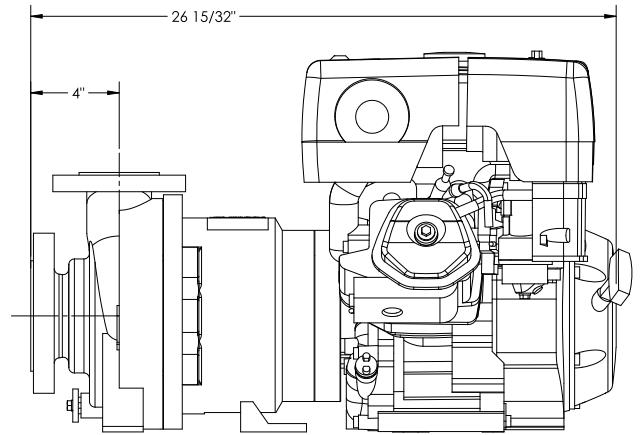


UCI Installation

Front View



Side View



finishthompson.com

FINISH THOMPSON INC. - UNITED STATES

921 Greengarden Road | Erie, PA 16501
800.934.9384 | ph 814.455.4478 | fx 814.455.8518
email fti@finishthompson.com

FINISH THOMPSON INC. - GERMANY

Otto-Hahn-Strasse 16 | Maintal, D-63477 Germany
49 (0)6181-90878-0 | fx 49 (0)6181-90878-18
email fti@finishthompson.com

Order Online: www.PumpCatalog.com