

xylem
Let's Solve Water

REPAIR PARTS

R4GFK



4" GFK Series

REPAIR PARTS

 **GOULDS**
WATER TECHNOLOGY
a xylem brand

Order Online: www.PumpCatalog.com

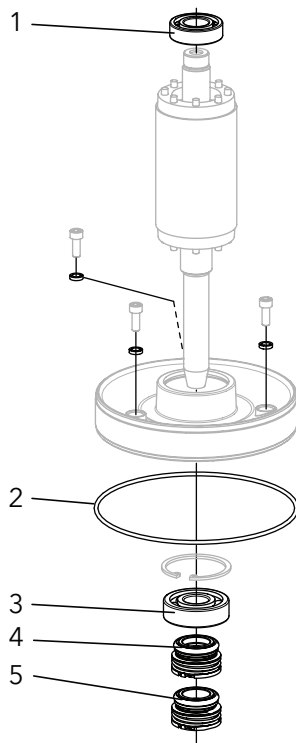
Wastewater

MOTOR KITS

Contents: The motor kit contains all of the parts that are needed to perform an overhaul of the motor.

NOTE: Does not include motor. Motor rewind should be done by your closest Xylem/Flygt service center.

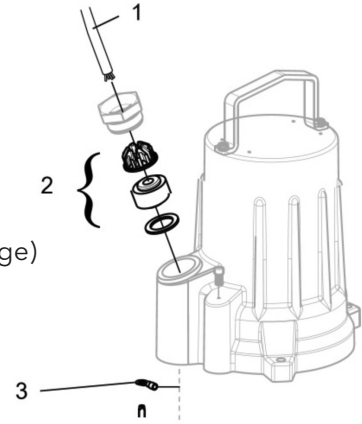
1. Upper ball bearing
2. O-ring
3. Lower ball bearing
4. Upper mechanical seal
5. Lower mechanical seal



CABLE KITS

Contents: The cable kit contains all of the parts that are needed to replace a cable.

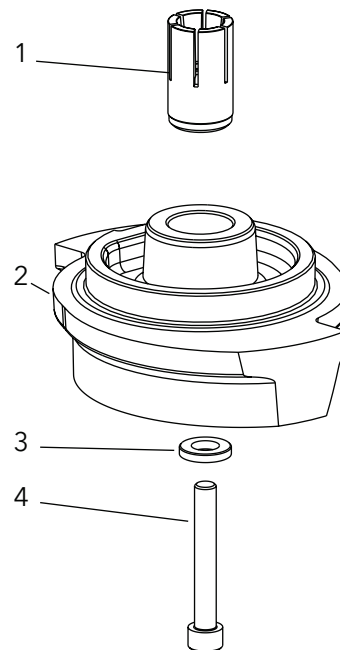
1. Cable
2. Cable entry unit
3. Cable lug
4. Closed-end splice (not shown in the image)



IMPELLER KITS

Contents: The impeller kit contains all of the parts that are needed to replace the impeller, including the adjustable sleeve.

1. Sleeve unit or key
2. Impeller
3. Plain washer
4. Hexagon socket head screw



GWT Part No.	Motor Kit	Cable Kit	Impeller Kit
5HP	7272600	7806230	7816346
10HP	7272700	7806243	7816446
*20HP	7272800	7806202	7362393 Impeller
			7201400 Sleeve
			823705 Plain Washer
			830455 Hex Socket Head Screw

* Must buy Impeller Kit items separately for this size.

Xylem |'zīləm|

- 1) The tissue in plants that brings water upward from the roots;
- 2) a leading global water technology company.

We're a global team unified in a common purpose: creating advanced technology solutions to the world's water challenges. Developing new technologies that will improve the way water is used, conserved, and re-used in the future is central to our work. Our products and services move, treat, analyze, monitor and return water to the environment, in public utility, industrial, residential and commercial building services settings. Xylem also provides a leading portfolio of smart metering, network technologies and advanced analytics solutions for water, electric and gas utilities. In more than 150 countries, we have strong, long-standing relationships with customers who know us for our powerful combination of leading product brands and applications expertise with a strong focus on developing comprehensive, sustainable solutions.

For more information on how Xylem can help you, go to www.xylem.com

xylem
Let's Solve Water

Xylem Inc.
Phone: (866) 325-4210
Fax: (888) 322-5877
www.xylem.com/goulds

Goulds is a registered trademark of Goulds Pumps, Inc. and is used under license.
© 2020 Xylem Inc. R4GFK February 2020

Order Online: www.PumpCatalog.com