

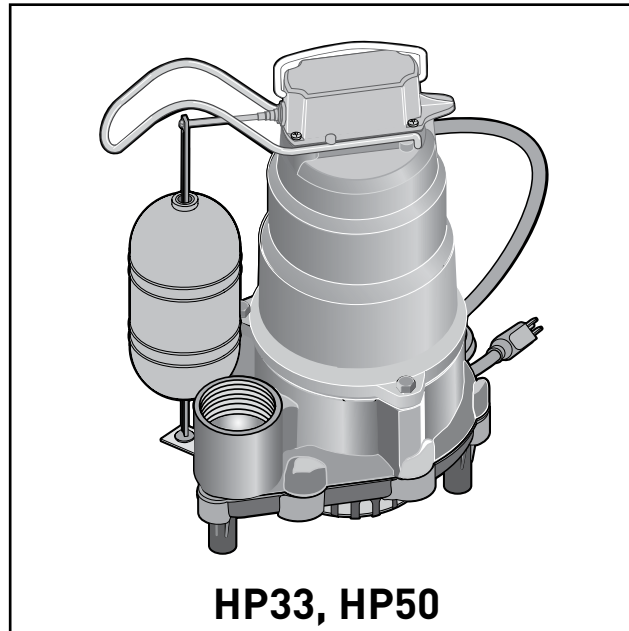


HYDROMATIC®

OWNER'S MANUAL
**Submersible Sump/
Effluent Pump**

NOTICE D'UTILISATION
**Pompe de puisard/
d'effluents submersible**

MANUAL DEL USUARIO
**Bomba de sumidero/
efluente sumergible**



HP33, HP50

Installation/Operation/Parts

For further operating, installation, or maintenance assistance:

Call 1-888-957-8677

English..... Pages 2-6

Installation/Fonctionnement/Pièces

Pour plus de renseignements concernant l'utilisation, l'installation ou l'entretien,

Composer le 1 (888) 957-8677

Français Pages 7-11

Instalación/Operación/Piezas

Para mayor información sobre el funcionamiento, instalación o mantenimiento de la bomba:

Llame al 1-888-957-8677

Español.....Paginas 12-16

SAFETY INFORMATION

Carefully read and follow all safety instructions in this manual or on pump.

⚠ This is the safety alert symbol. When you see this symbol on your pump or in this manual, look for one of the following signal words and be alert to the potential for personal injury!

⚠ DANGER warns about hazards that **will** cause serious personal injury, death or major property damage if ignored.

⚠ WARNING warns about hazards that **can** cause serious personal injury, death or major property damage if ignored.

⚠ CAUTION warns about hazards that **will** or **can** cause minor personal injury or property damage if ignored.

The word **NOTICE** indicates special instructions which are important but not related to hazards.

California Proposition 65 Warning

⚠ WARNING This product and related accessories contain chemicals known to the State of California to cause cancer, birth defects or other reproductive harm.

DESCRIPTION

These Submersible Sump Pumps are designed for home sumps. The unit is equipped with a 3-prong grounding-type power cord. The shaded-pole motor is oil filled and sealed for cooler running. Upper sleeve/lower ballbearing on the motor shaft never need lubrication. Automatic reset thermal protection.

SPECIFICATIONS

Power supply required 115V, 60 HZ.
 Liquid Temp. Range 32°F to 130°F (0°-54°C)
 Individual Branch Circuit Required:..... 15 Amps
 Discharge 1-1/2" NPT

MOTOR & CORD SPECIFICATIONS

Model Number	Motor HP	Full Load Amps	Individual Branch Circuit Required (Amps)	Cord Length
HP33	1/3	9.8	15	10'
HP33-20	1/3	9.8	15	20'
HP33-30	1/3	9.8	15	30'
HP50	1/2	12.0	15	10'
HP50-20	1/2	12.0	15	20'
HP50-30	1/2	12.0	15	30'

PERFORMANCE

Model	GPM (LPM) AT TOTAL FEET (m)					No flow at height shown below
	5 (1.5m)	10 (3m)	15 (4.6m)	20 (6.1m)	25 (7.6m)	
CAPACITY GALLONS(L)/MINUTE						
HP33	48 (182)	40 (151)	29 (110)	15 (57)	-	24 Ft. (7.3m)
HP50	62 (235)	53 (201)	46 (174)	38 (144)	29 (110)	32 Ft. (9.8m)

GENERAL SAFETY INFORMATION

Electrically powered sump pumps normally give many years of trouble-free service when correctly installed, maintained, and used. However, unusual circumstances (interruption of power to the pump, dirt/debris in the sump, flooding that exceeds the pump's capacity, electrical or mechanical failure in the pump, etc.) may prevent your pump from functioning normally. To prevent possible water damage due to flooding, consult your dealer about installing a secondary sump pump, a DC backup sump pump, and/or a high water alarm. See the

"Troubleshooting Chart" in this manual for information about common sump pump problems and remedies. For more information, see your dealer.

1. Know the pump application, limitations, and potential hazards.
2. Disconnect the power before servicing.
3. Release all pressure within the system before servicing any component.
4. Drain all water from the system before servicing.
5. Secure the discharge line before starting the pump. An unsecured discharge line will whip, possibly causing personal injury and/or property damage.
6. Check the hoses for a weak or worn condition before each use. Make certain all connections are secure.
7. Periodically inspect the sump, pump and system components. Keep free of debris and foreign objects. Perform routine maintenance as required.
8. Provide a means of pressure relief for pumps whose discharge line can be shut-off or obstructed.
9. Personal Safety:
 - a. Wear safety glasses at all times when working with pumps.
 - b. Keep the work area clean, uncluttered and properly lighted – replace all unused tools and equipment.
 - c. Keep visitors at a safe distance from work area.
 - d. Make the workshop child-proof – with padlocks, master switches, and by removing starter keys.
10. When wiring an electrically driven pump, follow all electrical and safety codes that apply.
11. **This equipment is only for use on 115 volt (single phase) and is equipped with an approved 3-conductor cord and 3-prong, grounding-type plug.**

⚠ WARNING Electrical shock hazard. Can burn or kill.

To reduce risk of electric shock, pull plug before servicing. Pump is supplied with a grounding conductor and grounding-type attachment plug. Be sure it is connected only to a properly grounded grounding-type receptacle.

Where a 2-prong wall receptacle is encountered, it must be replaced with a properly grounded 3-prong receptacle installed in accordance with codes and ordinances that apply.

This pump has not been investigated for use in swimming pool areas.

12. All wiring should be performed by a qualified electrician.
13. Make certain the power source conforms to the requirements of your equipment.
14. Protect the electrical cord from sharp objects, hot surfaces, oil, and chemicals. Avoid kinking the cord. Replace or repair damaged or worn cords immediately.
15. Do not touch an operating motor. Motors can operate at high temperatures.
16. Do not handle the pump or pump motor with wet hands or when standing on wet or damp surface, or in water.

▲ WARNING Electrical shock hazard. Can burn or kill. If your basement has water or moisture on floor, do not walk on wet area until all power has been turned off. If shut-off box is in basement, call electric company or hydro authority to shut-off service to house, or call your local fire department for instructions. Remove pump and repair or replace. Failure to follow this warning can result in fatal electrical shock.

17. Pump water only with this pump. Do not use with salt water or brine.
18. Do not install the pump in any location classified as hazardous by the National Electric Code, ANSI/NFPA 70-2011 or the Canadian Electrical Code.

INSTALLATION

1. Install the pump in a sump pit with a minimum diameter of 11" (279mm). The sump depth should be 20" minimum (381mm). Construct the sump pit of tile, concrete, steel or plastic. Check the local codes for approved materials.
2. Adjust the float stop on the rod to adjust the pump "ON" point. "OFF" point is factory preset.
3. The pump should not be installed on clay, earth or sand surfaces. Clean the sump pit of small stones and gravel which could clog the pump. Keep the pump inlet screen clear.
4. Install the pump in the pit so that the switch operating mechanism has maximum possible clearance.
5. Install the discharge plumbing. When using rigid pipe, use plastic pipe. Wrap the threads with PTFE pipe thread sealant tape. Screw the pipe into the pump hand tight plus 1 to 1-1/2 turns.

NOTICE: Do not use ordinary pipe joint compound on plastic pipe. Pipe joint compound can attack plastics and damage the pump.

- ▲ CAUTION Risk of flooding.** If a flexible discharge hose is used, make sure the pump is secure in the sump to prevent movement. Failure to secure the pump may allow pump movement, switch interference and prevent the pump from starting or stopping.
6. To reduce motor noise and vibrations, a short length of rubber hose (e.g. radiator hose) can be connected into the discharge line near the pump using suitable clamps.
7. Install an in-line check valve to prevent backward flow through the pump when the pump shuts off.
8. Power Supply: The pump is designed for 115 V., 60 Hz., operation and requires a minimum 15 amp individual branch circuit. The pump is supplied with a 3-wire cord set with grounding-type plug. Do not modify cord or plug. Be sure it is connected only to a properly grounded grounding-type receptacle.

NOTICE: All installations where a sump pump is permanently-wired to the source of electrical supply (control device or junction box) must be performed only by qualified personnel using the appropriate tools, skills, and knowledge of electrical safety. Such a connection would not be considered readily removable if the plug were cut off the pump's power cord. Questions relating to this type of installation should be directed to your local code authority.

▲ WARNING Hazardous voltage. Can shock, burn or kill. The pump should always be electrically grounded to a suitable electrical ground such as a grounded water pipe or a properly grounded metallic raceway, or ground wire system. Do not modify the cord or plug or cut off the round ground pin.

9. If the pump discharge line is exposed to an outside sub-freezing atmosphere, the portion of the line exposed must be installed so any water remaining in the pipe will drain to the outfall by gravity. Failure to do this can cause the water trapped in the discharge to freeze which could result in damage to the pump.
10. After the piping and check valve have been installed, the unit is ready for operation.
11. Check the operation by filling the sump with water and observing pump operation through one complete cycle.

▲ WARNING Risk of Flooding. Failure to make this operational check may lead to improper operation, premature failure, and flooding.

OPERATION / MAINTENANCE

▲ WARNING Risk of electrical shock. Can burn or cause death. Do not handle a pump or pump motor with wet hands or when standing on a wet or damp surface, or in water.

Before attempting to check why unit has stopped operating, disconnect power from unit.

▲ WARNING Risk of fire and explosion. Can cause severe injury, property damage or death. Do not use in explosive atmospheres. Pump water only with this pump.

1. The shaft seal depends on water for lubrication and cooling. Do not operate the pump unless it is submerged in water as the seal may be damaged if allowed to run dry.
2. The motor is equipped with an automatic reset thermal protector. If the temperature in the motor should rise unduly, the switch will cut off all power before damage can be done to the motor. When the motor has cooled sufficiently, the switch will reset automatically and restart the motor. If the protector trips repeatedly, the pump should be removed and checked as to cause of difficulty. Low voltage, long extension cords, clogged impeller, very low head or lift, etc., could cause cycling.
3. The pump will not remove all water. If a pump is operating and suddenly no water comes out of the discharge hose, shut the unit off immediately. The water level is probably very low and the unit has broken prime.

SWITCH REPLACEMENT

1. Disconnect power to the pump.
2. Remove the pump from the sump. If it is in effluent service, disinfect it for one hour with chlorine bleach. Wear rubber gloves when handling the pump.
3. Remove the bottom tether strap from the float rod, lift the float and swing it sideways, and remove it from the switch arm.
4. Remove the four screws that secure the switch to the top of the motor housing and lift the switch off the motor. The switch guard may come off with it.
5. Disconnect four wires that connect the switch to the motor housing.
6. Remove and discard the gasket between the switch and the pump. Clean the gasket surface on the motor housing.
7. Set the new gasket on the motor housing, then connect the four wires on the new switch to the four terminals in the motor housing (see Figure 1, page 4). Do not disturb the two spade terminals on the switch!

NOTICE: When you connect the two power wires to the cord terminals, make sure that the wire ends don't lodge between the cord pin and the side of the cord plug. The connector must be on the pin.

8. With the switch guard in place, set the switch on the motor housing with the switch arm pointed toward the discharge side of the pump and install and tighten the four screws which secure the switch to the pump.
9. Holding the float out sideways, hook the float rod on to the switch arm and swing the float rod down.
10. Insert the float rod in the hole in the tether strap.
11. Reinstall the pump in the sump, check all piping connections, and reconnect the power. Run the pump through one complete operating cycle to check for proper operation. Failure to make this operational check may lead to flooding and will void the warranty.

AIRLOCKS

When a pump airlocks, it runs but does not move any water. An airlock will cause the pump to overheat and fail. These pumps have a built in anti-airlock hole. See the exploded view on the repair parts page for the location of the hole. Leakage from the anti-airlock hole is normal.

If you suspect an airlock, unplug the pump, clean out the anti-airlock hole with a paper clip or a piece of wire, and restart the pump.

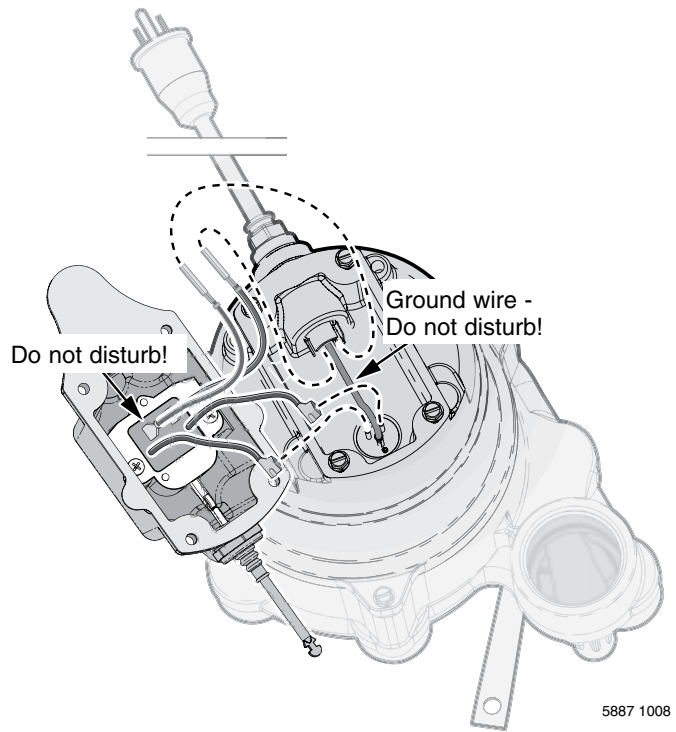
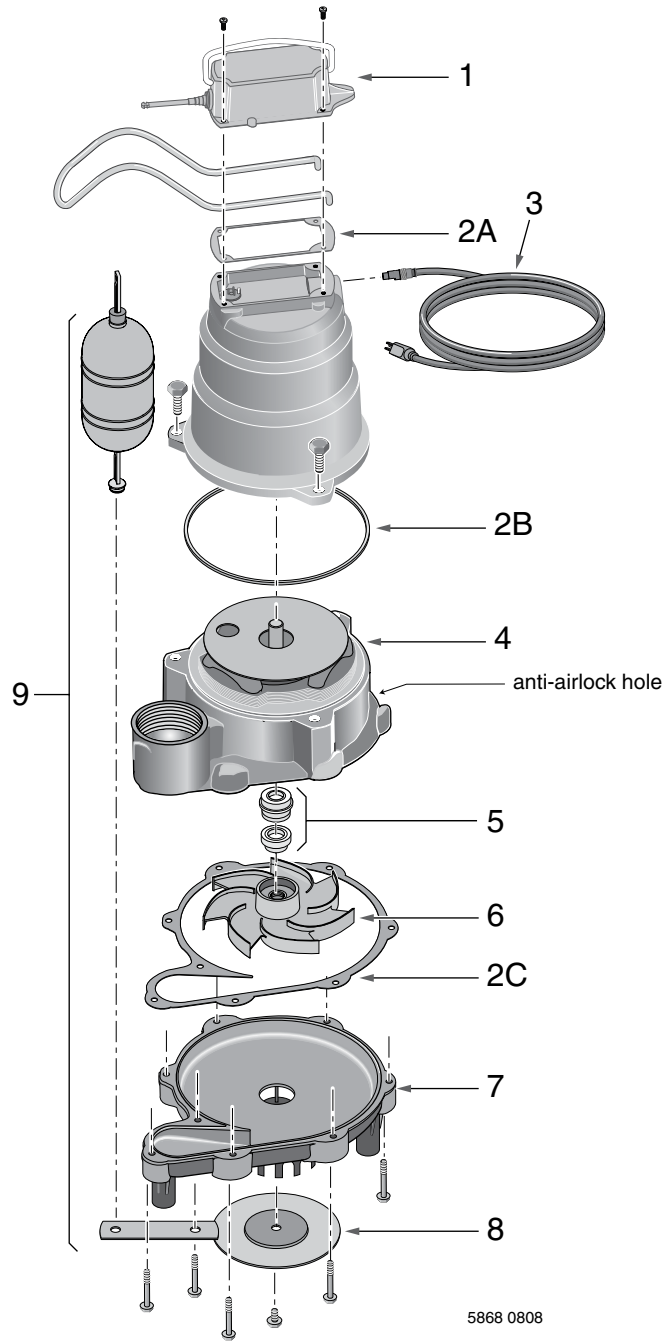


Figure 1: Connect switch as shown. Do not disturb the spade terminals on the switch. The gasket has been omitted for clarity.

TROUBLESHOOTING CHART

SYMPTOM	PROBABLE CAUSE(S)	CORRECTIVE ACTION
Pump won't start or run.	Blown fuse. Low line voltage. Defective motor. Defective float switch. Impeller. Float is obstructed.	If blown, replace with a fuse of proper size. If the voltage is under the recommended minimum, check the size of the wiring from the main switch on the property. If OK, contact power company or hydro authority. Replace the pump. Replace the float switch. If the impeller won't turn, remove the lower pump body and locate the source of the binding. Remove the obstruction.
Pump starts and stops too often.	Backflow of water from piping. Faulty float switch.	Install or replace the check valve. Replace the float switch.
Pump won't shut off.	Defective float switch. Restricted discharge (obstacle in piping). Float obstructed.	Replace the float switch. Remove the pump and clean the pump and piping. Remove the obstruction.
Pump operates but delivers little or no water.	Low line voltage. Something is caught in impeller. Anti-airlock hole is plugged.	If the voltage is under the recommended minimum, check the size of the wiring from the main switch on the property. If OK, contact power company or hydro authority. Clean out the impeller. Turn off the pump, clean out the anti-airlock hole, and restart pump.

**HP33
HP50**



5868 0808

REPAIR PARTS

Key No.	Description	Qty.	HP33	HP50
1	Switch Kit	1	PS17-1550REP	PS17-1550REP
2	Gasket Kit (Includes O-Rings and Gaskets, Key Nos. 2A,2B, 2C)	1	U9-471REP	U9-471REP
3	Power Cord 10'	1	PW117-237-TSU	PW117-237-TSU
	Power Cord 20'	1	PW17-122	PW17-122
	Power Cord 30'	1	PW17-293	PW17-293
4	Motor	1	*	*
5	Shaft Seal	1	21607A001	21607A001
6	Impeller	1	PS5-26P	PS5-29P
7	Lower Volute	1	PS1-34P	PS1-34P
8	Suction Plate	1	U43-142SS	U43-142SS
9	Switch Float Kit (Includes Float, Switch Rod, Rod Stops and Tether Strap)	1	PS28-37REP	PS28-37REP

* If motor fails, replace entire pump.

Limited Warranty

HYDROMATIC warrants to the original consumer purchaser ("Purchaser" or "You") of HYDROMATIC Sump Pumps, Effluent Pumps, Sewage Pumps (other than 2-1/2"), and Package Systems, that they will be free from defects in material and workmanship for the Warranty Period of 36 months from date of manufacture.

Our warranty will not apply to any product that, in our sole judgement, has been subject to negligence, misapplication, improper installation, or improper maintenance. Without limiting the foregoing, operating a three phase motor with single phase power through a phase converter will void the warranty. Note also that three phase motors must be protected by three-leg, ambient compensated, extra-quick trip overload relays of the recommended size or the warranty is void.

Your only remedy, and HYDROMATIC's only duty, is that HYDROMATIC repair or replace defective products (at HYDROMATIC's choice). You must pay all labor and shipping charges associated with this warranty and must request warranty service through the installing dealer as soon as a problem is discovered. No request for service will be accepted if received after the Warranty Period has expired. This warranty is not transferable.

EXCEPTIONS: Hydromatic Special Application Pumps, Battery Back-Up Sump Pumps, Filtered Effluent Pumps, Grinder Pumps, and 2-1/2" Sewage Pumps are warranted for a period of 12 months from date of purchase or 18 months from date of manufacture, whichever comes first.

HYDROMATIC SHALL NOT BE LIABLE FOR ANY CONSEQUENTIAL, INCIDENTAL, OR CONTINGENT DAMAGES WHATSOEVER.

THE FOREGOING LIMITED WARRANTIES ARE EXCLUSIVE AND IN LIEU OF ALL OTHER EXPRESS AND IMPLIED WARRANTIES, INCLUDING BUT NOT LIMITED TO IMPLIED WARRANTIES OF MERCHANTABILITY AND FITNESS FOR A PARTICULAR PURPOSE. THE FOREGOING LIMITED WARRANTIES SHALL NOT EXTEND BEYOND THE DURATION PROVIDED HEREIN.

Some states do not allow the exclusion or limitation of incidental or consequential damages or limitations on the duration of an implied warranty, so the above limitations or exclusions may not apply to You. This warranty gives You specific legal rights and You may also have other rights which vary from state to state.

This Limited Warranty is effective June 1, 2011 and replaces all undated warranties and warranties dated before June 1, 2011.

HYDROMATIC

293 Wright Street, Delavan, WI 53115

Phone: 888-957-8677 • Fax: 800-426-9446 • Web Site: hydromatic.com

CONSIGNES DE SÉCURITÉ

Lire et observer attentivement toutes les consignes de sécurité contenues dans cette Notice et collées sur la pompe.

⚠ Ce symbole indique qu'il faut être prudent. Lorsque ce symbole apparaît sur la pompe ou dans cette Notice, rechercher une des mises en garde qui suivent, car elles indiquent un potentiel de blessures corporelles :

⚠ DANGER avertit d'un danger qui causera des blessures corporelles, la mort ou des dommages matériels importants si on l'ignore.

⚠ AVERTISSEMENT avertit d'un danger qui risque de causer des blessures corporelles, la mort ou des dommages matériels importants si on l'ignore.

⚠ ATTENTION avertit d'un danger qui causera ou qui risquera de causer des blessures corporelles, la mort ou des dommages matériels importants si on l'ignore.

Le mot **REMARQUE** indique des instructions spéciales et importantes n'ayant aucun rapport avec les dangers.

Avertissement lié à la Proposition 65 de la Californie

⚠ AVERTISSEMENT Ce produit et les accessoires connexes contiennent des produits chimiques reconnus dans l'État de la Californie comme pouvant provoquer des cancers, des anomalies congénitales ou d'autres dangers relatifs à la reproduction.

DESCRIPTION

Ces pompes submersibles sont conçues pour être utilisées dans un puisard domestique. Elles sont munies d'un cordon électrique à 3 conducteurs, dont un de mise à la terre. Leur moteur à bague de déphasage est étanche et rempli d'huile pour chauffer moins. Les paliers/roulements à billes inférieurs de l'arbre des moteurs ne requièrent aucun graissage. Les pompes sont protégées par un protecteur thermique à réarmement automatique.

CARACTÉRISTIQUES

Courant d'alimentation requis..... 115 V, 60 Hz
 Plage des températures du liquide..... de 0 ° à 54 °C (de 32 ° à 130 °F)
 Circuit séparé circuit requis 15 ampères
 Refoulement..... 1 1/2 pouce NPT

CARACTÉRISTIQUES DU MOTEUR ET DU CORDON ÉLECTRIQUE

Numéro des modèles	Puissance des moteurs (en ch)	Ampères maximum à pleine charge (en ampères)	Circuit séparé requis (en ampères)	Longueur des cordons électriques
HP33	1/3	9,8	15	10'
HP33-20	1/3	9,8	15	20'
HP33-30	1/3	9,8	15	30'
HP50	1/2	12,0	15	10'
HP50-20	1/2	12,0	15	20'
HP50-30	1/2	12,0	15	30'

DÉBITS

Gal/min (L/min) POMPÉS À LA HAUTEUR TOTALE DE REFOULEMENT EN PIEDS (m)						
Modèles	5	10	15	20	25	Aucun débit à la hauteur indiquée ci-dessous
	(1,5 m)	(3 m)	(4,6 m)	(6,1 m)	(7,6 m)	
GALLONS (L)/MIN POMPÉS						
HP33	48 (182)	40 (151)	29 (110)	15 (57)	-	24 pi (7,3 m)
HP50	62 (235)	53 (201)	44 (174)	38 (144)	29 (110)	32 pi (9,8 m)

CONSIGNES DE SÉCURITÉ GÉNÉRALES

Normalement, les électropompes de puisard fournissent de nombreuses années de service sans incident si elles sont bien

posées, entretenues et utilisées. Toutefois, certaines circonstances inhabituelles (interruption du courant alimentant la pompe, saletés ou débris dans le puisard, inondation dépassant le débit de la pompe, pannes mécaniques ou électriques de la pompe, etc.), peuvent empêcher une pompe de fonctionner normalement. Pour empêcher toute possibilité de dommages causés par l'eau suite à une inondation, consulter le marchand au sujet de l'installation d'une pompe de puisard secondaire, d'une pompe de puisard de secours fonctionnant sur le courant continu et/ou d'une alarme de niveau haut d'eau. Se reporter au « Tableau de recherche des pannes » de cette Notice pour tout renseignement concernant les problèmes courants des pompes de puisard et comment y remédier. Pour de plus amples renseignements, visitez votre détaillant.

- Il faut connaître les utilisations de la pompe, ses limites et les dangers potentiels que présente son utilisation.
- Avant d'intervenir sur la pompe, s'assurer de couper le courant qui l'alimente.
- Dissiper toute la pression du système avant d'intervenir sur un composant du système.
- Avant d'intervenir sur le système, vider toute l'eau qu'il contient.
- Immobiliser le tuyau de refoulement avant de démarrer la pompe. Un tuyau de refoulement non immobilisé se mettra à fouetter et risquera d'éclater et causer des blessures corporelles et/ou des dégâts matériels.
- Avant d'utiliser une pompe, s'assurer que les tuyaux souples ne sont pas défectueux, usés et que tous les raccords sont bien serrés.
- Inspecter périodiquement le puisard, la pompe et les composants du système. Les débarrasser des débris et des corps étrangers. Procéder à l'entretien périodique requis.
- Prévoir un moyen de dissiper la pression sur les pompes dont le tuyau de refoulement risque d'être fermé ou obstrué.
- Sécurité personnelle :
 - Toujours porter des lunettes de sécurité pour intervenir sur la pompe.
 - Garder la zone de travail propre, non encombrée et bien éclairée – remettre en place tous les outils et tous les équipements que l'on n'utilise plus.
 - Ne laisser personne s'approcher de la zone de travail.
 - La zone de travail doit être à l'épreuve des enfants, c.-à-d. qu'elle doit être sécuritaire en posant des cadenas, des interrupteurs principaux et en retirant la clé des démarreurs.
- Pour brancher une électropompe sur le courant, toujours respecter les codes de sécurité et de l'électricité en vigueur.
- Ces pompes fonctionnent sur le courant alternatif de 115 volts. Elles sont livrées avec un cordon électrique approuvé à 3 conducteurs muni d'une fiche à 3 broches, dont une de mise à la terre.**

⚠ AVERTISSEMENT Risques de secousses électriques, de brûlures, voire de mort. Pour réduire les risques de secousses électriques, débrancher la pompe avant de l'entretenir. La pompe est livrée avec un conducteur de mise à la terre et une fiche de mise à la terre qui ne doit être branchée que dans une prise de courant à trois trous adéquatement mise à la terre.

Si la prise de courant ne comporte que 2 trous, elle devra être remplacée par une à 3 trous dont un de mise à la terre et installée conformément aux codes et aux règlements en vigueur.

Aucune étude n'a été effectuée permettant d'affirmer que ces pompes peuvent être utilisées sur piscine.

- Tout le câblage doit être effectué par un électricien qualifié.
- S'assurer que le courant alimentant ces pompes est conforme à leurs caractéristiques.
- Protéger le cordon électrique de ces pompes contre les objets tranchants, les surfaces chaudes, l'huile et les produits chimiques. Éviter de tordre le cordon électrique. Le remplacer ou le réparer immédiatement s'il est usé ou endommagé.
- Ne pas toucher au moteur pendant qu'il fonctionne. Les moteurs modernes fonctionnent par des températures élevées.
- Ne pas manipuler une pompe ni son moteur si on a les mains humides ou si on se tient debout sur une surface mouillée, humide ou dans l'eau.

⚠ AVERTISSEMENT Risques de secousses électriques, de brûlures, voire de mort. Si le plancher du sous-sol est humide ou recouvert d'eau, ne pas marcher dessus tant que le courant n'aura pas été coupé. Si la boîte des disjoncteurs se trouve au sous-sol, appeler la compagnie d'électricité pour lui demander de couper le branchement de l'habitation ou appeler le service des incendies local pour de plus amples renseignements. Si on ne respecte pas cet avertissement, on risque d'être mortellement électrocuté. Sortir la pompe du puisard et la remplacer ou la réparer.

17. Ne pomper que de l'eau avec ces pompes. Ne pas pomper de saumure ni d'eau salée.
18. Ne pas installer cette pompe dans un endroit classé comme dangereux par le Code canadien de l'électricité, le National Electrical Code ou ANSI/NFPA 70-2011.

INSTALLATION

1. Installer la pompe dans un puisard ayant un diamètre minimal de 27,9 cm (11 pouces). Chaque puisard doit avoir une profondeur minimale de 50,8 cm (20 pouces). Le puisard doit être construit en carreaux, en béton, en acier ou en plastique. Consulter les codes de la municipalité pour connaître les matériaux approuvés.
2. Ajuster la butée du flotteur sur la tige pour régler le point de démarrage (ON) de la pompe. Le point d'arrêt (OFF) est réglé à l'usine.
3. La pompe ne doit pas être posée sur de la glaise, de la terre ou du sable. Enlever les petites pierres et le gravier du fond du puisard pour qu'ils ne bouchent pas la pompe. La crépine d'aspiration de la pompe doit toujours être débarrassée des corps étrangers.
4. Installer la pompe dans le puisard afin d'obtenir un dégagement maximum pour le fonctionnement de l'interrupteur à flotteur.
5. Brancher le tuyau de refoulement. Si on décide d'utiliser des tuyaux rigides, utiliser des tuyaux en plastique et envelopper les filets du tuyau de ruban d'étanchéité en PTFE pour filetage. À la main, visser le tuyau de refoulement sur la pompe, puis le serrer fermement de 1 tour à 1 1/2 tour de plus.

AVIS : Ne pas utiliser de pâte pour raccords filetés sur les tuyaux en plastique, car elle risque d'attaquer le plastique.

- ⚠ ATTENTION Risque d'inondation.** Si on utilise un tuyau de refoulement souple, s'assurer que la pompe est bien immobilisée dans le puisard pour l'empêcher de se déplacer. Si on ne l'immobilise pas comme il faut, la pompe risque de se déplacer, l'interrupteur à flotteur risque de ne pas fonctionner adéquatement et d'empêcher la pompe de démarrer ou de s'arrêter.
6. Pour réduire le bruit et les vibrations que pourrait faire le moteur, brancher, près de la pompe, un petit morceau de tuyau en caoutchouc (une durite de radiateur, par ex.) sur le tuyau de refoulement. Le faire tenir avec des colliers.
7. Poser un clapet antiretour en ligne pour que l'eau ne retourne pas dans la pompe lorsqu'elle s'arrêtera.
8. Courant d'alimentation : Les pompes doivent être branchées sur un circuit séparé de 15 ampères alimenté en courant alternatif de 115 volts, 60 Hz. La pompe est fournie avec un ensemble de cordon électrique trifilaire doté d'une fiche de mise à la terre. Ne pas altérer le cordon ou la fiche électrique.

AVIS : Toute installation où une pompe de puisard sera câblée de façon permanente à la source d'alimentation électrique (dispositif de commande ou boîte de raccordement) doit être effectuée uniquement par du personnel qualifié ayant les bons outils ainsi que les bonnes compétences et connaissances en matière de sécurité électrique. Un tel branchement ne serait pas considéré comme facilement démontable si la prise venait à être coupée du cordon électrique de la pompe. Toute question relative à ce type d'installation doit être acheminée à l'autorité locale réglementaire.

⚠ AVERTISSEMENT Tension dangereuse. Risque de secousses électriques. Toujours mettre la pompe à la terre sur une terre électrique adéquate, comme un tuyau d'eau mis à la terre ou un

chemin de câbles métallique adéquatement mis à la terre, un système de fils de mise à la terre. Ne jamais modifier le cordon électrique, sa fiche ni couper la broche ronde de mise à la terre.

9. Si le tuyau de refoulement de la pompe risque d'être exposé au gel, l'installer de façon que sa partie exposée au gel puisse se vider par gravité. Si l'on ne respecte pas cette recommandation, l'eau risque de rester emprisonnée dans le tuyau de refoulement et de geler, ce qui endommagera la pompe.
10. Après avoir branché les tuyaux et posé un clapet antiretour (le cas échéant), la pompe est prête à fonctionner.
11. Vérifier le fonctionnement de la pompe en remplissant le puisard et en observant son fonctionnement sur un cycle complet.

⚠ AVERTISSEMENT Risque d'inondation. Ne pas procéder à cette vérification risque de causer un fonctionnement inadéquat, une panne prématurée de la pompe et une inondation.

FONCTIONNEMENT ET ENTRETIEN

⚠ AVERTISSEMENT Risque de secousses électriques, de brûlures, voire de mort. Ne pas manipuler la pompe ni son moteur si on a les mains humides ou si on se tient debout sur une surface humide, mouillée ou dans l'eau.

Avant de déterminer pourquoi une pompe a cessé de fonctionner, couper le courant qui l'alimente.

⚠ AVERTISSEMENT Risque d'explosion pouvant causer de graves blessures, des dommages matériels, voire la mort. Ne pas utiliser ces pompes dans des atmosphères explosives. Ne pomper que de l'eau avec ces pompes.

1. Le joint de l'arbre dépend de l'eau pour être lubrifié. Ne pas faire fonctionner ces pompes si elles ne sont pas immergées dans l'eau, sinon le joint de l'arbre sera endommagé.
2. Le moteur est protégé par un protecteur contre les surcharges thermiques à réarmement automatique. Si la température du moteur augmente anormalement, le disjoncteur se déclenchera et coupera le courant avant que le moteur soit endommagé. Dès que le moteur aura suffisamment refroidi, le disjoncteur se réenclenchera automatiquement et le moteur redémarrera. Si le protecteur se déclenche constamment, débrancher la pompe, la sortir du puisard et en rechercher la cause. Une tension basse, l'utilisation d'un cordon prolongateur trop long, un impulseur colmaté, une hauteur de refoulement très basse, etc., risquent de causer cet incident.
3. Cette pompe ne videra pas toute l'eau du puisard. Si elle ne débite plus d'eau, l'arrêter immédiatement. Le niveau de l'eau est probablement très bas et la pompe s'est désamorcée.

REPLACEMENT DE L'INTERRUPTEUR

1. Coupez l'alimentation électrique de la pompe.
2. Retirez la pompe du puisard. Si elle est utilisée pour le pompage des effluents, la désinfecter pendant une heure avec de l'agent de blanchiment chloré. Porter des gants en caoutchouc lors de la manipulation de la pompe.
3. Retirer la sangle d'attache inférieure de la tige du flotteur, soulever le flotteur, le balancer de droite à gauche, puis le retirer du bras de l'interrupteur.
4. Retirer les quatre vis qui fixent l'interrupteur au haut du carter du moteur et soulever l'interrupteur pour le retirer du moteur. Le cache de l'interrupteur peut être retiré avec l'interrupteur.
5. Déconnecter les quatre fils qui raccordent l'interrupteur au carter du moteur.
6. Retirer et jeter le joint situé entre l'interrupteur et la pompe. Nettoyer la surface du joint sur le carter du moteur.
7. Installer le nouveau joint sur le carter du moteur, puis connecter les quatre fils du nouvel interrupteur aux quatre bornes du carter du moteur (figure 1, page 9). Ne pas toucher aux deux bornes embrochables de l'interrupteur!

AVIS : Lors du raccordement des deux fils d'alimentation aux bornes du cordon, s'assurer que les extrémités des fils ne se

logent pas entre la broche du cordon et le côté de la fiche du cordon. Le connecteur doit être sur la broche.

8. Avec le cache de l'interrupteur en place, mettre l'interrupteur sur le carter du moteur avec le bras orienté vers le côté refoulement de la pompe, puis installer et serrer les quatre vis qui fixent l'interrupteur à la pompe.
9. En maintenant le flotteur à l'horizontale, accrocher la tige du flotteur sur le bras de l'interrupteur et faire balancer la tige du flotteur pour la descendre.
10. Insérer la tige du flotteur dans le trou de la sangle d'attache.
11. Réinstaller la pompe dans le puisard, vérifier toutes les connexions de tuyauterie et rétablir l'alimentation électrique. Faire fonctionner la pompe pendant un cycle complet pour vérifier son bon fonctionnement. Le non-respect de cette consigne de vérification opérationnelle peut causer une inondation du moteur et annuler la garantie.

BOUCHONS D'AIR

Si des bouchons d'air se forment dans une pompe, elle fonctionnera mais ne pompera pas d'eau. Elle surchauffera et tombera alors en panne. Ces pompes comportent un trou anti-bouchons d'air incorporé. Se reporter à la page de la vue éclatée pour savoir où se trouve ce trou. Il est normal que le liquide coule par ce trou.

Si on pense qu'un bouchon d'air s'est formé, débrancher la pompe, nettoyer le trou avec un trombone ou un morceau de fil, puis redémarrer la pompe.

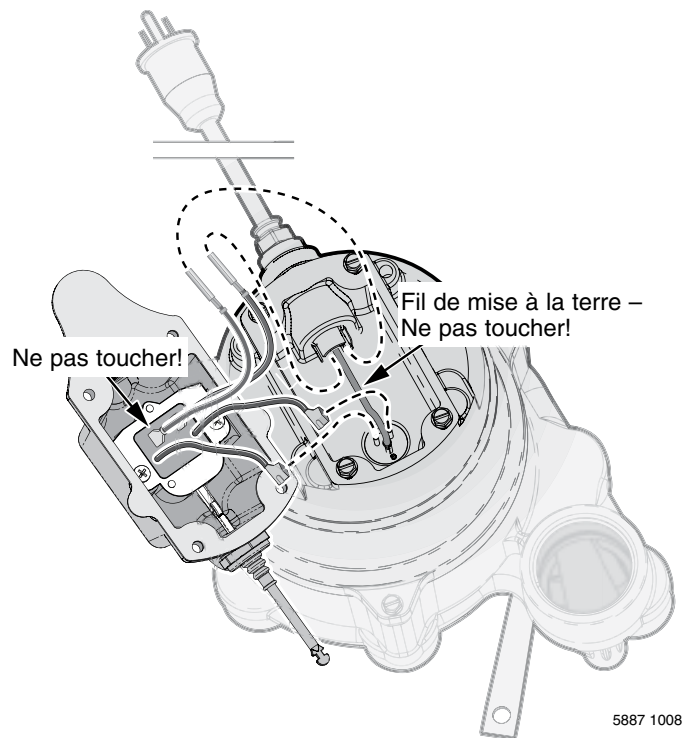
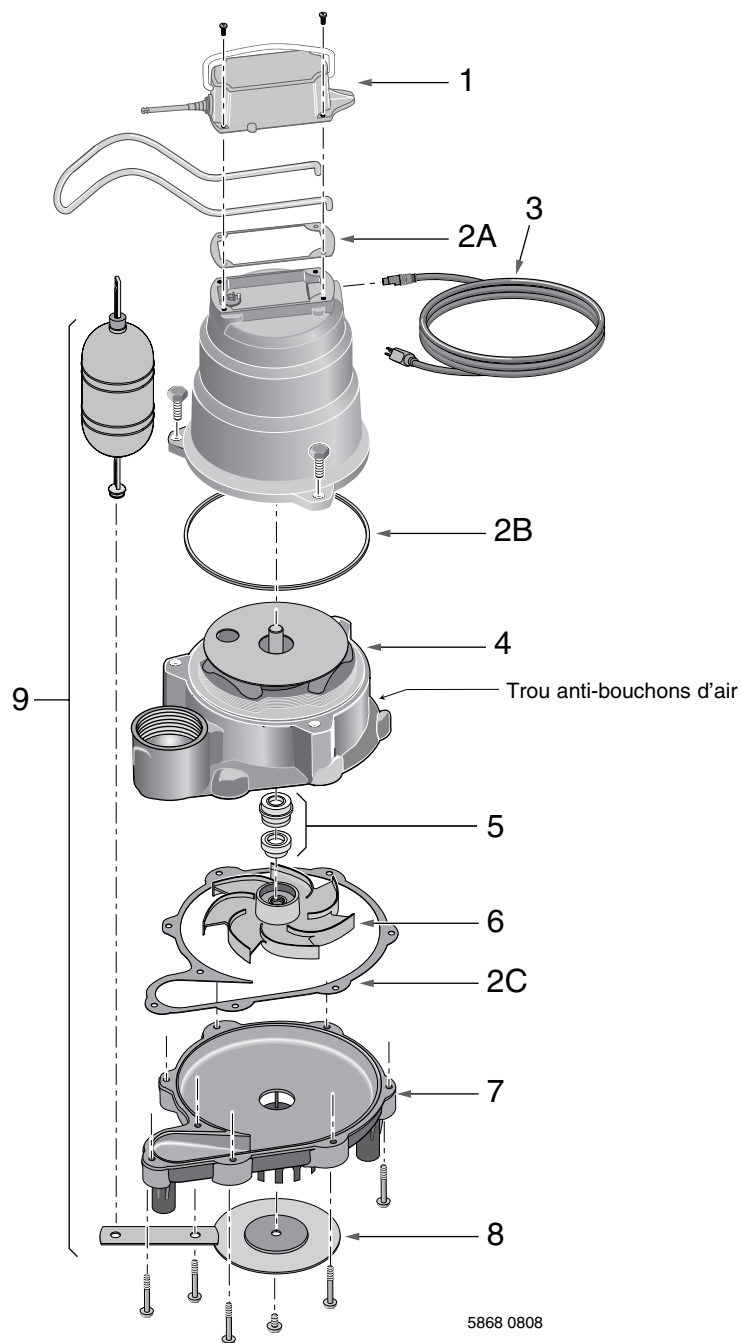


Figure 1 : Raccorder le fil comme illustré. Ne pas toucher aux bornes embrochables de l'interrupteur. Le joint a été omis à des fins de clarté.

TABLEAU DE RECHERCHE DES PANNES

INCIDENTS	CAUSES POSSIBLES	REMÈDES
La pompe ne démarre pas ou ne fonctionne pas.	Fusible sauté. Tension de ligne basse. Moteur défectueux. Interrupteur à flotteur défectueux. L'impulseur. Flotteur obstrué.	Le remplacer par un fusible de calibre adéquat. Si la tension est inférieure à la tension minimale recommandée, vérifier le calibre du câblage côté disjoncteur principal de la propriété. Si tout est correct, s'adresser à la compagnie d'électricité. Remplacer la pompe. Remplacer l'interrupteur à flotteur. Si l'impulseur ne tourne pas, débrancher la pompe, déposer son corps inférieur et trouver la source de grippage. Au besoin, remplacer l'impulseur. Enlever l'obstruction.
La pompe démarre et s'arrête trop souvent.	Circulation à contre-courant de l'eau dans le tuyau. Interrupteur à flotteur défectueux.	Poser un clapet antiretour ou remplacer l'ancien. Remplacer l'interrupteur à flotteur.
La pompe ne s'arrête pas.	Interrupteur à flotteur défectueux. Refoulement obstrué (obstruction dans le tuyau). Flotteur obstrué.	Remplacer l'interrupteur à flotteur. Sortir la pompe du puisard, puis la nettoyer ainsi que les tuyaux. Enlever l'obstruction.
La pompe fonctionne mais débite très peu ou pas du tout.	Tension de ligne basse. Corps étrangers coincés dans l'impulseur. Le trou anti-bouchons d'air est bouché.	Si la tension est inférieure à la tension minimale recommandée, vérifier le calibre du câblage côté disjoncteur principal de la propriété. Si tout est correct, s'adresser à la compagnie d'électricité. Nettoyer l'impulseur s'il est bouché. Arrêter la pompe, le nettoyer, puis redémarrer la pompe.

**HP33
HP50**



LISTE DES PIÈCES DE RECHANGE

Réf.	Désignation	Qté	HP33	HP050
1	Ensemble d'interrupteur	1	PS17-1550REP	PS17-1550REP
2	Ensemble de joint statique (joints toriques et statiques, réf. n° 2A, 2B, 2C)	1	U9-471REP	U9-471REP
3	Cordon électrique 10'	1	PW117-237-TSU	PW117-237-TSU
	Cordon électrique 20'	1	PW17-122	PW17-122
	Cordon électrique 30'	1	PW17-293	PW17-293
4	Moteur	1	*	*
5	Joint d'arbre	1	21607A001	21607A001
6	Impulseur	1	PS5-26P	PS5-29P
7	Volute inférieure	1	PS1-34P	PS1-34P
8	Plaque d'aspiration	1	U43-142SS	U43-142SS
9	Ensemble d'interrupteur à flotteur (flotteur, tige d'interrupteur, butées de tige et sangle d'attache)	1	PS28-37REP	PS28-37REP

* Si le moteur tombe en panne, remplacer toute la pompe.

Garantie limitée

HYDROMATIC garantit à l'acheteur/au consommateur d'origine (l'Acheteur) des pompes de puisard, pompes d'effluents, pompes d'eaux d'égout (à l'exception de la pompe de 2-1/2 po), et les systèmes ensembles HYDROMATIC, que celles-ci seront exemptes de tout vice de matériau et de fabrication pendant la période de garantie de 36 mois suivant la date de fabrication.

Nos garanties ne s'appliquent pas aux produits ayant fait l'objet de négligence, d'une mauvaise utilisation, d'une mauvaise installation ou d'un manque d'entretien adéquat. Sans aucune limitation des présentes, la garantie des moteurs triphasés submersibles sera nulle et non avenue si ces moteurs sont branchés et fonctionnent sur le courant monophasé par l'intermédiaire d'un déphaseur. Il faut également noter que les moteurs triphasés doivent être protégés par un relais de surcharge tripolaire thermocompensé à déclenchement extrêmement rapide du calibre recommandé, sinon la garantie sera nulle et non avenue.

Le seul recours de l'Acheteur et la seule responsabilité de HYDROMATIC consistent à réparer ou à remplacer (au choix de HYDROMATIC) les produits qui se révéleraient défectueux. L'Acheteur s'engage à payer tous les frais de main d'œuvre et d'expédition du produit couvert par sa garantie et de s'adresser au concessionnaire-installateur ayant procédé à l'installation dès qu'un problème est découvert pour obtenir un service sous garantie. Aucune demande de service en vertu de sa garantie ne sera acceptée après expiration de la durée de sa garantie. Ces garanties ne sont pas transférables.

EXCEPTIONS : Les pompes pour applications spéciales, les pompes de puisard de secours à batterie, les pompes d'effluents à filtre, les pompes broyeuses, et les pompes d'eaux d'égout de 2-1/2 po Hydromatic sont garanties pendant une période de 12 mois suivant la date d'achat, ou une période de 18 mois suivant la date de fabrication, selon la première occurrence.

HYDROMATIC DÉCLINE TOUTE RESPONSABILITÉ POUR TOUT DOMMAGE INDIRECT OU FORTUIT QUEL QU'IL SOIT.

LA GARANTIE LIMITÉE SUSMENTIONNÉE EST EXCLUSIVE ET REMPLACE TOUTES LES AUTRES GARANTIES EXPRESSES ET TACITES, Y COMPRIS, MAIS SANS S'Y LIMITER, LES GARANTIES DE QUALITÉ MARCHANDE ET D'ADAPTATION À UN USAGE PARTICULIER. LA GARANTIE LIMITÉE SUSMENTIONNÉE NE DOIT PAS ÊTRE PROLONGÉE AU-DELÀ DE LA DURÉE PRÉVUE AUX PRÉSENTES.

Certains états, territoires et certaines provinces ne permettent pas l'exclusion ou la limitation des dommages indirects ou fortuits, ni les limitations relatives à la durée des garanties tacites. Par conséquent, il se peut que les limitations ou les exclusions stipulées dans les présentes ne s'appliquent pas dans ce cas. Ces garanties accordent des droits juridiques précis, bien que l'on puisse bénéficier d'autres droits, selon la province, le territoire ou l'état dans lequel on réside.

La présente garantie limitée est entrée en vigueur le 1er juin 2011 et remplace toute garantie non datée ou antérieure à cette date.

HYDROMATIC

293 Wright Street, Delavan, WI 53115

Tél. : 888-957-8677 • Téléc. : 800-426-9446 • Site Web : hydromatic.com

INFORMACIÓN SOBRE LA SEGURIDAD

Es importante que lea y observe todas las instrucciones de seguridad que aparezcan en este manual o en la bomba.

⚠ Este es un símbolo de alerta sobre la seguridad. Cuando vea este símbolo en su bomba o en este manual, busque para ver si hay alguna de las siguientes palabras de señal y esté alerta a la posibilidad de lesiones personales.

⚠ PELIGRO Advierte sobre peligros que ocasionarán lesiones personales graves, muerte o daños considerables a la propiedad si se les ignora.

⚠ ADVERTENCIA Advierte sobre peligros que pueden ocasionar lesiones personales graves, muerte o daños considerables a la propiedad si se ignoran.

⚠ PRECAUCIÓN Advierte sobre peligros que ocasionarán o pueden ocasionar lesiones personales o daños a la propiedad menores si se ignoran.

La palabra **AVISO** indica instrucciones especiales que son importantes pero que no están relacionadas con los peligros.

Advertencia de la Proposición 65 de California

⚠ ADVERTENCIA Este producto y accesorios relacionados contienen sustancias químicas reconocidas en el Estado de California como causantes de cáncer, malformaciones congénitas y otros daños al sistema reproductivo.

DESCRIPCIÓN

Estas Bombas Sumergible de Sumidero ha sido diseñada para sumideros domésticos. La unidad viene equipada con un cordón de corriente de 3 puntas, de tipo conexión a tierra. El motor de polos protegidos está lleno de aceite y sellado para funcionamiento más frío. Los cojinetes de bolas de la camisa superior/inferior en el eje del motor nunca necesitan lubricación. Con protección térmica de reposición automática.

ESPECIFICACIONES

Suministro de corriente requerido.....115V, 60 Hz
 Gama de temp. del líquido..... 32° F a 130° F (0° - 54° C)
 Requiere un ramal individual.....15 amperios
 Descarga:NPT de 1-1/2"

ESPECIFICACIONES DEL MOTOR Y CORDÓN

Número del modelo	Motor – CV	Carga total del motor – amps	Requiere un ramal individual (amperios)	Largo del cordón
HP33	1/3	9,8	15	10'
HP33-20	1/3	9,8	15	20'
HP33-30	1/3	9,8	15	30'
HP50	1/2	12,0	15	10'
HP50-20	1/2	12,0	15	20'
HP50-30	1/2	12,0	15	30'

RENDIMIENTO

Modelo	GPM (LPM) A ALTURA TOTAL EN PIES (m)					No hay flujo a las alturas siguientes:
	5 (1,5m)	10 (3m)	15 (4,6m)	20 (6,1m)	25 (7,6m)	
Capacidad en galones (litros)/minuto						
HP33	48 (182)	40 (151)	29 (110)	15 (57)	-	24 ft. (7,3m)
HP50	62 (235)	53 (201)	46 (174)	38 (144)	29 (110)	32 ft. (9,8m)

INFORMACIÓN GENERAL SOBRE LA SEGURIDAD

Las bombas de sumidero con accionamiento eléctrico, generalmente brindan muchos años de servicio sin problemas cuando se las instala, mantiene y emplea correctamente. Sin embargo, circunstancias inusuales (como la interrupción de la corriente hacia la bomba, sociedad/

escombros en el sumidero, inundación que supera la capacidad de la bomba, fallas eléctricas o mecánicas en la bomba, etc.) pueden evitar que la bomba funcione normalmente. Para evitar posibles daños causados por el agua y debidos a inundaciones, consulte con su representante de ventas sobre la posibilidad de instalar un bomba secundaria de sumidero, una bomba de reserva de CA para sumidero, y/o una alarma de nivel alto de agua. Consulte la "Tabla de localización de fallas" en este manual para obtener información sobre los problemas comunes con bombas de sumidero y sus soluciones. Para mayor información, consulte con su representante de ventas.

1. Infórmese sobre la aplicación, limitaciones y posibles riesgos de la bomba.
2. Desconecte la energía eléctrica antes de efectuar reparaciones.
3. Alivie toda la presión dentro del sistema antes de reparar cualquier componente.
4. Drene toda el agua del sistema antes de efectuar reparaciones.
5. Asegure bien la tubería de descarga antes de poner en marcha la bomba. Una tubería de descarga que no esté bien segura puede moverse y causar lesiones personales y/o daños materiales.
6. Antes de cada uso, verifique si las mangueras están débiles o gastadas, asegurándose de que todas las conexiones estén firmes.
7. Inspeccione periódicamente el sumidero, la bomba y los componentes del sistema. Manténgalos limpios de basuras y objetos foráneos. Realice el mantenimiento de rutina según sea necesario.
8. Provea un medio de alivio de la presión para aquellas bombas cuya tubería de descarga pueda bloquearse u obstruirse.
9. Seguridad Personal :
 - a. Use lentes protectores en todo momento cuando trabaje con la bomba.
 - b. Mantenga la zona de trabajo limpia, despejada y debidamente iluminada - guarde todas herramientas y el equipo que no se use.
 - c. Mantenga a los visitantes a una distancia segura de la zona de trabajo.
 - d. Asegúrese de que su taller sea a prueba de niños - con candados, conmutadores maestros y sacando las llaves del arrancador.
10. Cuando instale el cableado de una bomba accionada eléctricamente, observe todos los códigos eléctricos y de seguridad que correspondan.
11. **Esta bomba se puede usar solamente con corriente de 115 voltios (monofásica) y está equipada con un cordón aprobado de 3 conductores y 3 clavijas, de tipo con conexión a tierra.**

⚠ ADVERTENCIA Riesgo de choque eléctrico. Puede causar quemaduras o muerte. Para reducir el riesgo de choque eléctrico, desenchufe la bomba antes de repararla. La bomba es suministrada con un conductor de puesta a tierra y un enchufe de tipo con conexión a tierra. Asegúrese de que se conecte solamente a un tomacorriente puesto a tierra, de tipo con conexión a tierra.

- Si el tomacorriente mural es del tipo para 2 clavijas, éste debe ser reemplazado por un tomacorriente de 3 clavijas e instalado de acuerdo con los códigos y reglamentos que correspondan. No se ha comprobado aún si esta bomba pueda ser usada en albercas.
12. Todo el cableado debe ser efectuado por un electricista certificado.
 13. Asegúrese de que la fuente de alimentación cumpla con los requisitos de su equipo.
 14. Proteja el cordón eléctrico contra objetos afilados, superficies calientes, aceite y sustancias químicas. Evite que se enrede. Reemplace o repare inmediatamente un cordón que esté dañado o gastado.
 15. No toque un motor cuando esté funcionando. Los motores pueden funcionar a temperaturas altas.

16. No manipule la bomba ni el motor de la bomba con las manos mojadas o cuando esté parado en suelo húmedo o mojado, o en el agua.

⚠ ADVERTENCIA **Riesgo de choque eléctrico. Puede causar quemaduras o muerte.** Si su sótano tiene agua o humedad en el piso, no camine en el lugar mojado hasta que no haya desactivado toda fuente de corriente eléctrica. Si la llave de paso está en el sótano, llame a la compañía de electricidad o de energía para cortar el servicio a su casa, o llame al departamento de bomberos de su localidad para solicitar instrucciones. Saque la bomba y repárela o reemplácela. El incumplimiento de esta advertencia puede resultar en un choque eléctrico mortal.

17. Sólo bombee agua con esta bomba. No la use con agua salada o salmuera.
18. No instale la bomba en ningún lugar clasificado como peligroso por el Código Eléctrico Nacional, ANSI/NFPA 70-2011 o el Código Eléctrico Canadiense.

INSTALACIÓN

1. Instale la bomba en el foso del sumidero con un diámetro mínimo de 11" (279 mm). La profundidad del sumidero debe ser de 20" (508 mm). Construya el foso del sumidero de baldosa, hormigón, acero o plástico. Consulte todos los códigos locales con respecto a los materiales que hayan recibido el visto bueno.
2. Ajuste el tope del flotador en la barra para ajustar el punto de encendido "ON" de la bomba. El punto de apagado "OFF" viene configurado de fábrica.
3. La bomba no se debe instalar sobre superficies de barro, tierra o arena. Limpie toda piedrita o gravilla que se encuentre en el foso del sumidero y que pueda obstruir la bomba. Mantenga la malla de admisión de la bomba limpia y despejada.
4. Instale la bomba en el foso de manera que el mecanismo de operación del conmutador tenga el máximo posible de luz (espacio libre).
5. Instale la tubería de descarga. Cuando use tubería rígida, use tubería que sea de plástico. Envuelva las roscas con PTFE cinta. Atornille a mano la tubería de descarga en la bomba de 1 a 1 y 1/2 vueltas más.

AVISO No use un compuesto común para juntas de tuberías en una tubería de plástico. El compuesto para juntas de tuberías puede atacar al plástico y perjudicar la bomba.

⚠ PRECAUCIÓN **Riesgo de inundación.** Si se usa una manguera de descarga flexible, asegúrese de que la bomba esté bien inmovilizada para que no pueda moverse dentro del sumidero. Si la bomba no está bien firme puede moverse y causar interferencia con el conmutador, impidiendo que la bomba se ponga en marcha o se detenga.

6. Para reducir el ruido y las vibraciones del motor, se puede conectar una manguera corta de caucho (por ej. manguera de radiador) en la línea de descarga, cerca de la bomba, usando las abrazaderas adecuadas.
7. Instale una válvula de retención en línea para evitar el retroflujo a través de la bomba cuando ésta se apague.
8. Fuente de Alimentación: La bomba está diseñada para funcionar con corriente de 115 V., 60 Hz. y requiere un ramal individual mínimo de 15 amps.. La bomba viene equipada con un cordón trifilar y un enchufe con puesta a tierra. No modifique el cordón ni el enchufe. Asegúrese de conectarlo solamente a un receptáculo con puesta a tierra, debidamente conectado a tierra.

AVISO Todas las instalaciones en donde una bomba de sumidero se conecta a una fuente de suministro de energía eléctrica (dispositivo de control o caja de conexiones) en forma permanente, deben ser realizadas sólo por un personal calificado utilizando las herramientas, las habilidades adecuadas y un conocimiento de las normas de seguridad eléctrica. Una conexión de ese tipo no será considerada como fácilmente desmontable si se ha cortado la ficha del cordón eléctrico de la bomba. Toda pregunta relacionada con este tipo de instalación deberá ser dirigida a las autoridades reguladoras locales.

⚠ ADVERTENCIA **Tension peligrosa. Puede causar choque, quemaduras o muerte.** La bomba siempre debe estar

puesta a tierra por medio de una conexión eléctrica a tierra adecuada como una tubería de agua puesta a tierra, una canalización metálica debidamente puesta a tierra, o un sistema de cableado a tierra. No modifique el cordón ni el enchufe, ni corte la clavija redonda de conexión a tierra.

9. Si la línea de descarga de la bomba está expuesta a la intemperie con temperaturas debajo del punto de congelamiento, la porción de la línea que quede expuesta, deberá ser instalada de manera que el agua que permanezca en la tubería se desagüe hacia la salida por gravedad. Si se ignora esta precaución, existe el riesgo de que el agua que quede atrapada en la descarga se congele y dañe la bomba.
10. Después de que se haya instalado la tubería y la válvula de retención, la bomba estará lista para su funcionamiento.
11. Verifique el funcionamiento de la bomba, llenando el sumidero con agua y haciendo funcionar la bomba a través de un ciclo completo.

⚠ ADVERTENCIA **Riesgo de inundación.** El incumplimiento de esta verificación del funcionamiento puede resultar en un funcionamiento inadecuado, en una falla prematura y en inundaciones.

OPERACIÓN/MANTENIMIENTO

⚠ ADVERTENCIA **Riesgo de choque eléctrico. Puede causar quemaduras o muerte.** No manipulee la bomba ni el motor de la bomba con manos mojadas o cuando esté parado sobre una superficie mojada o húmeda, o en agua.

Antes de tratar de verificar la razón por la cual la unidad ha dejado de funcionar, desconecte la corriente.

⚠ ADVERTENCIA **Riesgo de incendio o de explosión. Puede causar lesiones graves, daños materiales o muerte.** No se debe usar en atmósferas explosivas. Esta bomba se debe utilizar solamente para bombear agua.

1. El sello del eje depende del agua para su lubricación y refrigeración. No opere la bomba a menos que se encuentre en agua, ya que el sello se perjudicará si marcha en seco.
2. El motor viene equipado con un protector térmico de reposición automática. Si la temperatura en el motor se eleva indebidamente, el conmutador cortará la corriente antes de que el motor se pueda perjudicar. Cuando el motor se haya enfriado lo suficiente, el conmutador se reposicionará automáticamente y volverá a arrancar el motor. Si el protector se dispara repetidamente, será necesario sacar la bomba y verificar la causa de este problema. Una tensión baja, cordones largos de extensión, un impulsor tapado, muy poca altura o elevación, etc. pueden ocasionar estos ciclos.
3. La bomba no extrae toda el agua. Si una bomba está funcionando y de repente no sale agua de la manguera de descarga, apague la unidad inmediatamente. El nivel del agua es probablemente muy bajo y la unidad no está cebando.

CAMBIO DEL INTERRUPTOR

1. Desconecte la corriente eléctrica de la bomba.
2. Retire la bomba del sumidero. Si se encuentra en un servicio de efluente, desinféctela por una hora con lejía de cloro. Use guantes de caucho cuando manipule la bomba.
3. Retire la correa de sujeción inferior de la barra del flotador, levante el flotador, muévelo hacia un costado y sáquelo del brazo del interruptor.
4. Retire los cuatro tornillos que sujetan el interruptor a la parte superior del cárter del motor y levante el interruptor para sacarlo del motor. Es probable que el resguardo del interruptor salga junto con éste.
5. Desconecte los cuatro cables que conectan el interruptor al cárter del motor.
6. Retire y descarte el empaque que se encuentra entre el interruptor y la bomba. Limpie la superficie del empaque en el cárter del motor.
7. Coloque la nueva empaquetadura en el cárter del motor, luego conecte los cuatro cables en el nuevo interruptor a los cuatro

bornes en el cárter del motor (consulte la Figura 1). ¡No perturbe los dos bornes de enchufe en el interruptor!

AVISO Cuando conecte los dos cables eléctricos a los bornes del cordón, verifique que los extremos de los cables no queden atascados entre la clavija del cordón y el lado del enchufe del cordón. El conector debe estar sobre la clavija.

8. Con el resguardo del interruptor en posición, coloque el interruptor en el cárter del motor con el brazo del interruptor apuntando hacia el lado de la descarga de la bomba, e instale y apriete los cuatro tornillos que sujetan el interruptor a la bomba.
9. Sosteniendo el flotador hacia afuera y de costado, enganche la barra del flotador en el brazo del interruptor y mueva la barra del flotador hacia abajo.
10. Inserte la barra del flotador en el orificio de la correa de sujeción.
11. Vuelva a instalar la bomba en el sumidero, inspeccione todas las conexiones de la tubería y vuelva a conectar el suministro de corriente eléctrica. Haga marchar la bomba por un ciclo de operación completo para verificar que esté funcionando correctamente. La falla de no hacer esta verificación de funcionamiento, puede conducir a una inundación e invalidará la garantía.

BOLSAS DE AIRE (“AIRLOCK”)

Cuando el flujo de la bomba disminuye o se para debido a bolsas de aire, la bomba marcha pero no mueve agua. Una bolsa de aire puede hacer que la bomba se recaliente y falle. Esta bomba comparte un orificio “anti-airlock” para eliminar las bolsas de aire, (ver la pagina 4). Fugas del orificio “anti-airlock” está normal.

Si usted sospecha que hay una bolsa de aire, desenchufe la bomba, limpie el orificio “anti-airlock” con un clip de papel o un trozo de alambre y vuelva a activarla.

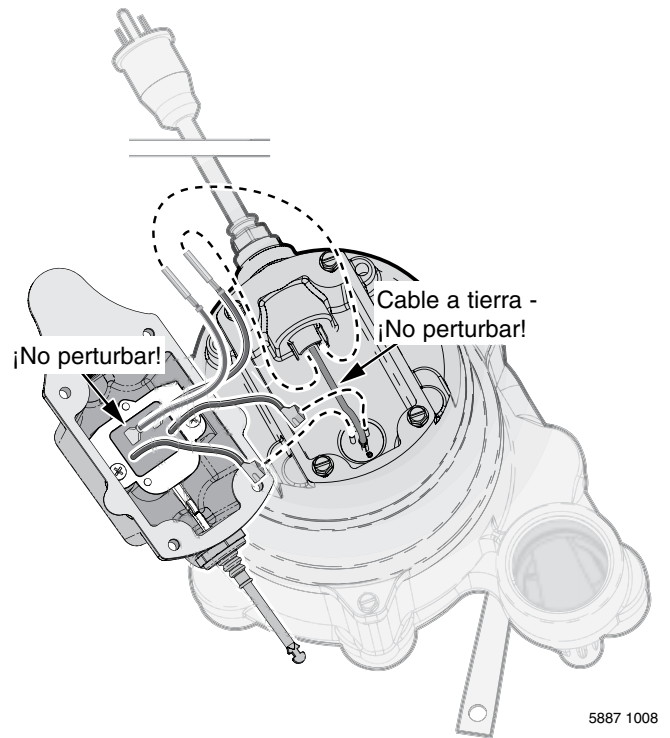
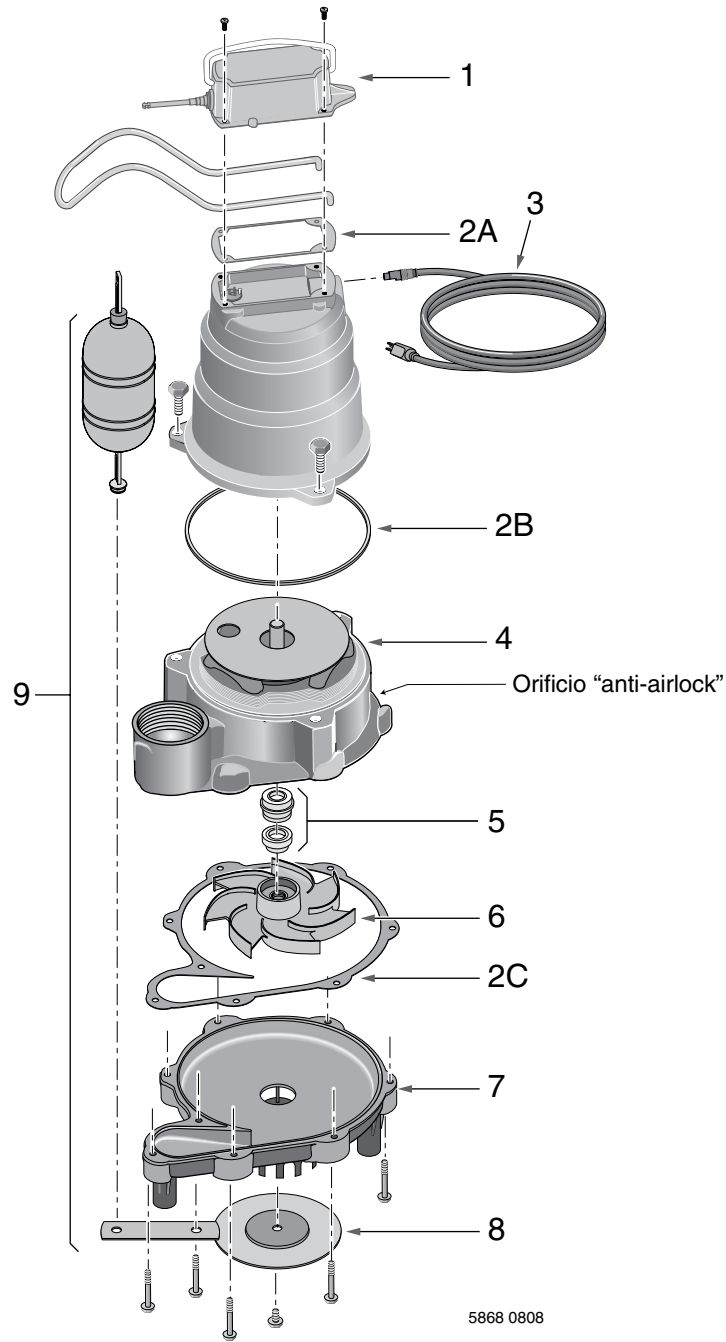


Figura 1: Conecte el interruptor según se ilustra. No perturbe los bornes de enchufe en el interruptor. Se ha omitido la empaquetadura para mayor claridad.

TABLA DE LOCALIZACIÓN DE FALLAS

SÍNTOMA	CAUSA(S) PROBABLE(S)	ACCIÓN CORRECTIVA
La bomba no arranca o no marcha.	Fusible quemado. Baja tensión de línea. Motor defectuoso. Conmutador de flotación defectuoso. Impulsor. Flotador obstruido.	Si está quemado, cámbielo por un fusible del tamaño adecuado. Si la tensión se encuentra por debajo del mínimo recomendado, verifique el tamaño de los cables desde el conmutador principal en la propiedad. Si es el correcto, comuníquese con la empresa de energía o de suministro de corriente eléctrica. Cambie la bomba. Cambie el conmutador de flotador. Si el impulsor no gira, saque el cuerpo inferior de la bomba y ubique la fuente de atascamiento. Elimine la obstrucción.
La bomba arranca y se detiene con demasiada frecuencia.	Retroflujo de agua desde la tubería. Conmutador de flotación defectuoso.	Instale o cambie la válvula de retención. Cambie el conmutador de flotador
La bomba no se apaga.	Conmutador de flotación defectuoso. Descarga limitada (obstáculo en la tubería). Flotador obstruido.	Cambie el conmutador de flotador. Saque la bomba y limpie la bomba y la tubería. Elimine la obstrucción.
La bomba funciona pero entrega poco o nada de agua.	Baja tensión de línea. Hay algo atrapado en el impulsor. Bolsa de aire (disminución de flujo)	Si la tensión se encuentra por debajo del mínimo recomendado, verifique el tamaño de los cables desde el conmutador principal en la propiedad. Si es el correcto, comuníquese con la empresa de energía o de suministro de corriente eléctrica. Limpie el impulsor. Apague la bomba por unos segundos, limpie el orificio “anti-airlock” y luego vuelva a activarla.

**HP33
HP50**



LISTA DE PIEZAS DE REPUESTO

Clave.	Descripción	Cant.	HP33	HP50
1	Juego de interruptores	1	PS17-1550REP	PS17-1550REP
2	Juego de empaquetaduras (incluye aros tóricos y empaquetaduras, Claves Nos. 2A, 2B, 2C)	1	U9-471REP	U9-471REP
3	Cordón eléctrico 10'	1	PW117-237-TSU	PW117-237-TSU
	Cordón eléctrico 20'	1	PW17-122	PW17-122
	Cordón eléctrico 30'	1	PW17-293	PW17-293
4	Motor	1	*	*
5	Sello del eje	1	21607A001	21607A001
6	Impulsor	1	PS5-26P	PS5-29P
7	Voluta inferior	1	PS1-34P	PS1-34P
8	Tubería de placa	1	U43-142SS	U43-142SS
9	Juego de Interruptor y Flotador (incluye el flotador, la barra del interruptor, topes de la barra y la correa de amarre)	1	PS28-37REP	PS28-37REP

* Si el motor falla, cambie toda la bomba.

Garantía limitada

HYDROMATIC le garantiza al comprador consumidor original (el "Comprador" o "Usted") que las bombas de sumidero, las bombas efluentes, las bombas para aguas residuales (a excepción de la bomba de 2-1/2"), y los sistemas-paquetes de marca HYDROMATIC, estarán libres de defectos en materiales y en mano de obra durante un período de garantía de 36 meses a partir de la fecha en que han sido fabricadas.

Nuestra garantía no se aplicará a ningún producto que, a nuestro sólo juicio, haya sido sometido a negligencia, mal uso, instalación inadecuada o mal mantenimiento. Sin perjuicio a lo que antecede, la garantía quedará anulada en el caso en que un motor trifásico se haya usado con una fuente de alimentación monofásica, a través de un convertidor de fase. Es importante indicar que los motores trifásicos deben estar protegidos por relés de sobrecarga de disparo extra-rápido, con compensación ambiental de tres etapas, del tamaño recomendado, de lo contrario, la garantía quedará anulada. Su único recurso, y la única obligación de HYDROMATIC es que HYDROMATIC repare o reemplace los productos defectuosos (a juicio de HYDROMATIC). Usted deberá pagar todos los cargos de mano de obra y de envío asociados con esta garantía y deberá solicitar el servicio bajo garantía a través del concesionario instalador tan pronto como se descubra un problema. No se aceptará ninguna solicitud de servicio bajo garantía que se reciba después del vencimiento del Período de Garantía. Esta garantía no se puede transferir.

EXCEPCIONES: Las bombas para aplicaciones especiales, las bombas de sumidero con baterías de respaldo, las bombas efluentes con filtro, las bombas trituradoras, y las bombas para aguas residuales de 2-1/2" de marca Hydromatic están garantizadas por un período de 12 meses a partir de la fecha de compra, o durante 18 meses a partir de la fecha de su fabricación, según lo que ocurra primero.

HYDROMATIC NO SE HARÁ RESPONSABLE DE NINGÚN DAÑO CONSECUENTE, INCIDENTAL O CONTINGENTE.

LAS GARANTÍAS LIMITADAS QUE ANTECEDEN SON EXCLUSIVAS Y EN LUGAR DE TODA OTRA GARANTÍA EXPLÍCITA E IMPLÍCITA, INCLUYENDO, PERO SIN LIMITARSE A LAS GARANTÍAS IMPLÍCITAS DE COMERCIABILIDAD E IDONEIDAD PARA UN FIN ESPECÍFICO. LAS GARANTÍAS LIMITADAS QUE ANTECEDEN NO SE EXTENDERÁN MÁS ALLÁ DEL PERÍODO DE DURACIÓN INDICADO EN LA PRESENTE.

Algunos estados no permiten la exclusión o limitación de daños incidentales o consecuentes o de limitaciones de tiempo sobre garantías implícitas, de modo que es posible que las limitaciones o exclusiones que preceden no correspondan en su caso. Esta garantía le otorga derechos legales específicos y es posible que usted también tenga otros derechos que pueden variar de un estado al otro.

Esta Garantía Limitada entra en vigor el 1 de junio de 2011 y sustituye toda garantía sin fecha o garantía con fecha anterior al 1 de junio de 2011.

HYDROMATIC

293 Wright Street, Delavan, WI 53115

Teléfono: 888-957-8677 • Fax: 800-426-9446 • Sitio web: hydromatic.com