



MARCH PUMPS

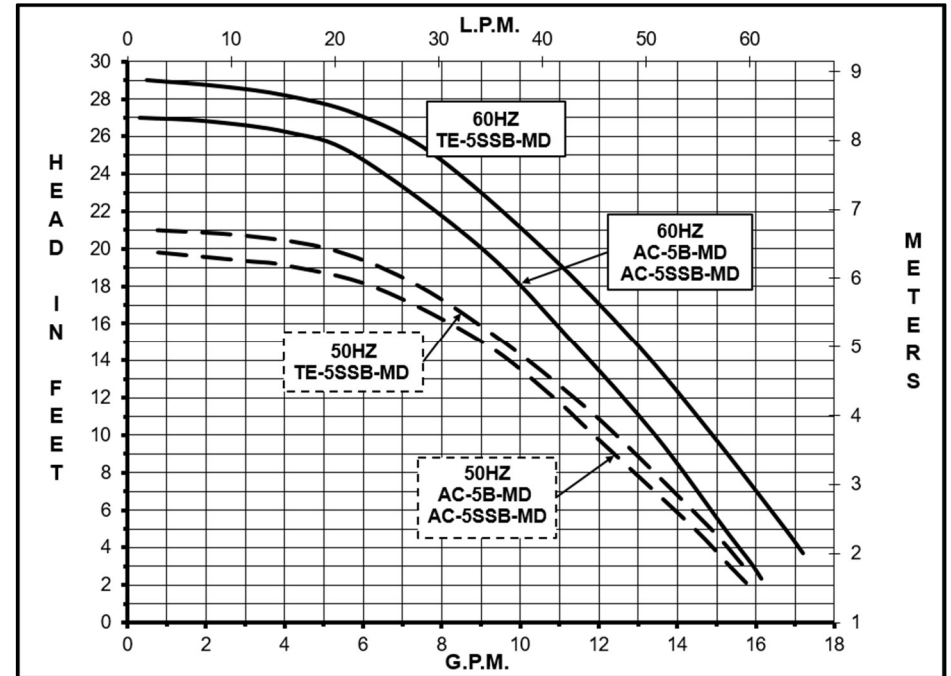
1819 PICKWICK AVE., GLENVIEW, IL 60026-1306, U.S.A

BEER PUMPS 5 Series

DESCRIPTION: The March beer pump is a non-self-priming magnetic drive unit built specifically to handle hot wort and water. The unit requires liquid being pumped to lubricate the internal parts. If the pump is run dry for a period of time the impeller and shaft may become damaged. To regulate the flow use a valve on the discharge/outlet.

ELECTRICAL: AC-5B-MD and AC-5SSB-MD have an air cooled 1 phase motor that is either 115 Volt or 230 Volt, 50/60 Hz and a 3 ft. cord. TE-5SSB-MD has a dual 115/230 Volt, 50/60 Hz, 1 phase TEFC motor with a conduit box.

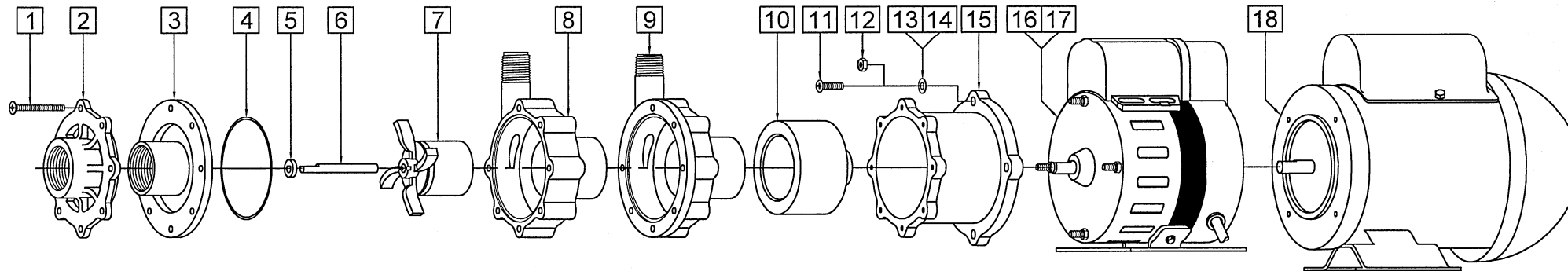
LIMITED WARRANTY: March pumps are guaranteed only against defects in workmanship or materials for a period of one year from date of manufacture pumping water.



SPECIFICATIONS	AC-5B-MD										AC-5SSB-MD										TE-5SSB-MD									
	Product #	115 V 0150-0202-0100					230 V 0150-0202-0200					Dual 0150-0208-0100					0150-0208-0200					0150-0214-0700								
Inlet - Outlet	1" Female Pipe Thread - 1/2" Male Pipe Thread										1" Female Pipe Thread - 1/2" Male Pipe Thread										1" Female Pipe Thread - 1/2" Male Pipe Thread									
Max Internal Pressure	50 psi / 3.4 bar										200 psi / 13 bar										200 psi / 13 bar									
Max Liquid Temperature	250 °F / 121 °C										250 °F / 121 °C										250 °F / 121 °C									
MODEL	60 Hz										50 Hz										Height		Width		Length		Packed Weight			
	Max Flow gpm lpm	Max Head ft psi m			ELECTRICAL Ph V A Hp kW Rpm					Max Flow gpm lpm	Max Head ft psi m			ELECTRICAL Ph V A Hp kW Rpm					Inches cm	Inches cm	Inches cm	Inches cm	lbs kg	lbs kg						
AC-5B-MD	17 64.4	27 11.7 8.23	1	115 2.1 230 1	1/8 0.092 3450	15.85 60 19.68 8.53 6 1	115 2.1 230 1	0.126 0.093 2850	6.19 15.7	4.52 11.4	9.27 23.5	9.5 4.3 9.5 4.3																		
AC-5SSB-MD	17 64.4	27 11.7 8.23	1	115 2.1 230 1	1/8 0.092 3450	15.85 60 19.68 8.53 6 1	115 2.1 230 1	0.126 0.093 2850	6.19 15.7	4.52 11.4	9.27 23.5	12.5 5.6 12.5 5.6																		
TE-5SSB-MD	18 68.1	29 12.5 8.84	1	115 2.6 230 1.3	0.2 0.147 3450	15.98 60.5 20.66 8.96 6.3 1	110 2.6 220 1.3	0.162 0.119 2850	6.89 17.5	7.26 18.4	12.61 32.0	21.95 9.95 21.95 9.95																		

All specifications & data are based on pumping water & are intended as a guideline only. Specifications may vary with different motors.

PARTS LIST



#	DESCRIPTION	MATERIAL	SIZE (Inches)	QTY.	AC-5B-MD	AC-5SSB-MD	TE-5SSB-MD
1	Screw	Stainless	#8-32 x 1-3/4 Lg.	7		0150-0021-1000	
2	Cover	Polysulfone		1	0150-0189-1000		
3	Cover	Stainless		1		0150-0111-0010	0150-0111-0010
4	"O" Ring	Buna-N		1		0750-0981-1000	
5	Thrust Washer	Ceramic		1		0130-0028-1000	
6	Shaft	Stainless		1		0939-0003-1000	
7	Impeller w/Shell & Carbon Bushing	Polysulfone/Stainless		1		0150-0173-0300	
8	Rear Housing	Polysulfone/Ceramic	w/Thrust Washer	1	0150-0203-0100		
9	Rear Housing	Stainless		1		0150-0110-0010	0150-0110-0010
10	Drive Magnet	Plastic		1	0150-0081-0100	0150-0081-0100	0150-0176-0300
11	Screw	Stainless	#10-32 x 3/4 Lg.	4			0150-0050-1000
12	Hex Nut	Stainless	#10-32	4	0625-0024-1000	0625-0024-1000	
13	Washer	Stainless	#10	4			0150-0051-1000
14	Lock Washer	Stainless	#10 Internal Tooth	4	0802-0006-1000	0802-0006-1000	
15	Motor Bracket	Plastic		1	0150-0070-0100	0150-0126-0100	0150-0126-0100
16	Motor 115 V, 50/60 Hz w/base	3 foot cord		1	0150-0027-1000	0150-0027-1000	
17	Motor 230 V, 50/60 Hz w/base	3 foot cord		1	0150-0040-1000	0150-0040-1000	
18	Motor, (WEG) TEFC, 115/230 V, 50/60 Hz			1			0150-0213-1000

NOTE: Contact Factory for other materials and/or parts not listed.

0750-0976-1100 R2