



MARCH PUMPS

1819 PICKWICK AVE.. GLENVIEW. IL 60026-1306, U.S.A

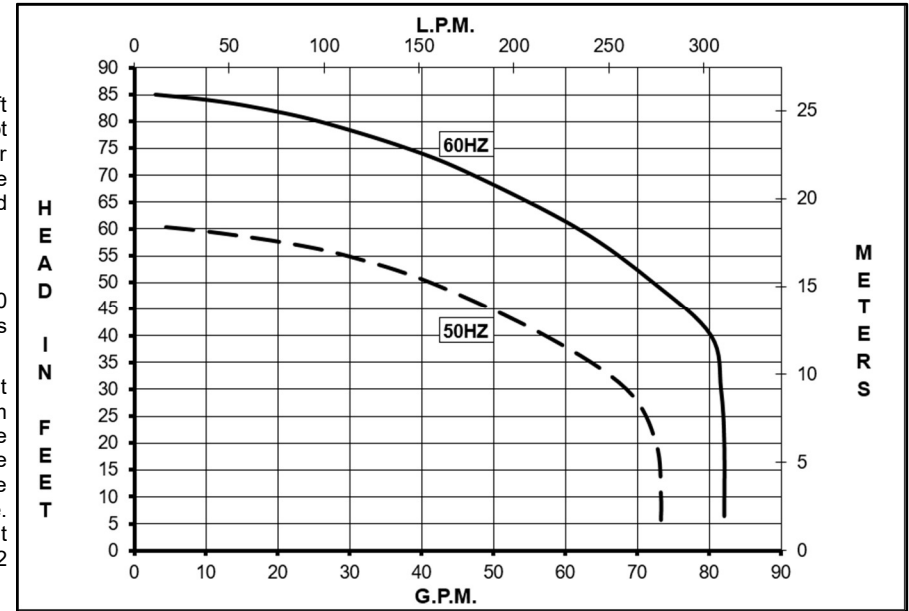
DESCRIPTION & OPERATION: Series 7.5 are centrifugal magnetic drive pumps, eliminating the need for a shaft seal. Pumps can be serviced with an adjustable wrench. See the parts list for a breakdown of parts. Pumps are not self-priming, lack a suction lift, and thus require a **flooded suction**. Pumps **cannot be run dry** because the impeller requires the liquid being pumped for lubrication. The direction of motor rotation should be clockwise when facing the inlet of the pump. For liquids with a specific gravity greater than water, have a higher viscosity, or for elevated temperatures, a trimmed impeller may be necessary. For application assistance, contact March Pump.

Model Abbreviations: K: Kynar, P: Polypropylene

ELECTRICAL: Motors are available in different electrical configurations such as 1 phase 115/230 Volt 60 Hz, 110/220 Volt 50 Hz, or 3 phase 230/460 Volt 60 Hz, 190/380 Volt 50 Hz. The motors are U.L. listed and rated as continuous duty.

CAUTION IN ASSEMBLY & DISASSEMBLY: The magnetic coupling in the pump is strong enough to warrant caution. When servicing the pump, the attraction of the impeller magnet and drive magnet may pull the impeller from your grasp. When assembling, hold onto the outer diameter of the impeller vanes with both hands and gently engage the impeller into the magnet field. Hold the impeller firmly and resist the magnetic attraction as you slowly put the impeller back in. The magnetic forces are strongest between 1/3 to 2/3 of engagement and will diminish when the magnets become aligned. Do not allow the impeller to snap into the rear housing, doing so may result in damage. Exercise caution in placing any of the magnets near steel, tools, or other sensitive instruments as doing so may result in damage or personal injury. When attaching drive magnet to motor shaft, position the face of the drive magnet 5/32 inch above the face of the motor bracket.

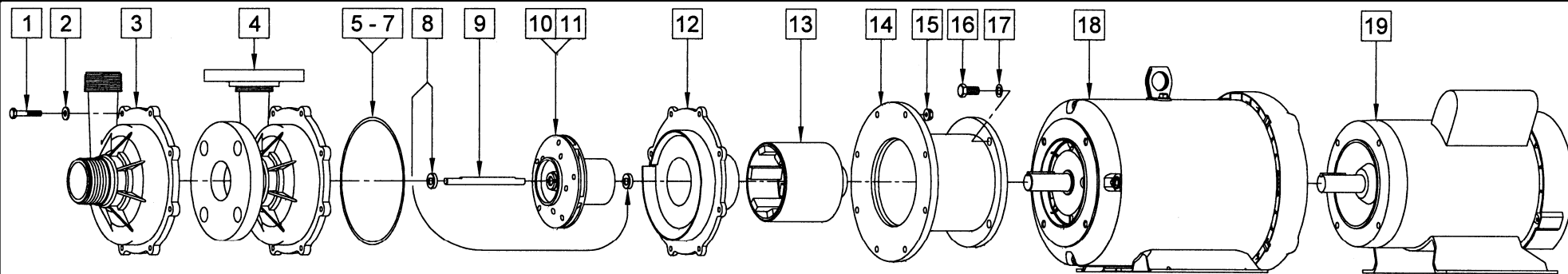
TE-7.5K-MD, TE-7.5P-MD



SPECIFICATIONS	TE-7.5K-MD		[TE-7.5K-MD with Flanges]		TE-7.5P-MD		TE-7.5P-MD with Flanges																				
Product #	1 Phase 3 Phase	0156-0001-0200 0156-0001-0100	0156-0001-0270 0156-0001-0170	0156-0059-0400 0156-0059-0100	0156-0059-0470 0156-0059-0170	Inlet - Outlet	2" MPT - 1-1/2" MPT	2" Inlet Flange - 1-1/2" Outlet Flange	2" MPT - 1-1/2" MPT	2" Inlet Flange - 1-1/2" Outlet Flange																	
Max Internal Pressure	60 psi (413 kPa)		60 psi (413 kPa)		60 psi (413 kPa)		60 psi (413 kPa)																				
Max Liquid Temperature	190 °F (87 °C)		190 °F (87 °C)		190 °F (87 °C)		150 °F (65 °C)																				
Overall Size (H x W x L)	1 Phase 3 Phase	10" (25.4 cm) x 9.53" (24.2 cm) x 19.58" (49.47 cm) 10" (25.4 cm) x 11.33" (28.7 cm) x 20.67" (52.5 cm)	10.13" (25.7 cm) x 9.53" (24.2 cm) x 20.93" (53.2 cm) 10.36" (26.3 cm) x 11.33" (28.7 cm) x 21.01" (53.4 cm)	10" (25.4 cm) x 9.53" (24.2 cm) x 19.58" (49.47 cm) 10" (25.4 cm) x 11.3" (28.7 cm) x 20.67" (52.5 cm)	10.13" (25.7 cm) x 9.53" (24.2 cm) x 20.93" (53.2 cm) 10.36" (26.3 cm) x 11.33" (28.7 cm) x 21.01" (53.4 cm)																						
MODEL	60 Hz										50 Hz										Packed Weight						
	Max Flow		Max Head		ELECTRICAL						Max Flow		Max Head		ELECTRICAL						Threaded		Flanges				
	gpm	lpm	ft	psi	m	Ph	V	A	Hp	kW	Rpm	gpm	lpm	ft	psi	m	Ph	V	A	Hp	kW	Rpm	lbs	kg	lbs	kg	
TE-7.5K-MD	82	310	85	36.8	26	1	115	22	2	1.491	3450	70.8	268	59	25.6	18	1	100	20	1.5	1.118	2850	64.80	29.39	65.8	29.84	
							230	11											190	4.6				97.00	43.99	98	44.45
							460	2.4	2	1.491	3450	70.8	268	59	25.6	18	3	380	2.3								
TE-7.5P-MD	82	310	85	36.8	26	1	115	22	2	1.491	3450	70.8	268	59	25.6	18	1	100	20	1.5	1.118	2850	64.80	29.39	65.8	29.84	
							230	11											190	4.6				97.00	43.99	98	44.45
							460	2.4	2	1.491	3450	70.8	268	59	25.6	18	3	380	2.3								

All specifications & data are based on pumping water & are intended as a guideline only. Specifications may vary with different motors.

REPAIR PARTS LIST



#	TE-7.5K-MD	#	TE-7.5P-MD
1	0153-0011-1000 8 1/4"-20 x 1-1/2" Lg. Screw (Stainless Steel)	1	0153-0011-1000 8 1/4"-20 x 1-1/2" Lg. Screw (Stainless Steel)
2	0157-0023-1000 8 1/4" ID x 5/8" OD Washer (Stainless Steel)	2	0157-0023-1000 8 1/4" ID x 5/8" OD Washer (Stainless Steel)
3	0156-0001-1000 1 Front Housing (Natural Kynar)	3	0156-0060-1000 1 Front Housing (Polypropylene)
4	0156-0029-0100 1 Front Housing with Flanges (Natural Kynar)	4	0156-0068-0100 1 Front Housing with Flanges (Polypropylene)
5	0156-0010-1000 1 0.157" CS x 6.457" ID "O" Ring (Viton)	5	0156-0010-1000 1 0.157" CS x 6.457" ID "O" Ring (Viton)
6	0156-0023-1000 1 0.157" CS x 6.457" ID "O" Ring (Viton/Teflon) – Option		
7	0156-0034-1000 1 0.157" CS x 6.457" ID "O" Ring (EPDM) – Option	7	0156-0034-1000 1 0.157" CS x 6.457" ID "O" Ring (EPDM) – Option
8	0156-0016-1000 2 Front & Rear Thrust Washer (Ceramic)	8	0156-0016-1000 2 Front & Rear Thrust Washer (Ceramic)
9	0156-0007-1000 1 4.500" Lg. Shaft (Ceramic)	9	0156-0007-1000 1 4.500" Lg. Shaft (Ceramic)
10	0156-0004-0200 1 Impeller w/Carbon Bushing (Natural Kynar)	10	0156-0064-0200 1 Impeller w/Carbon Bushing (Polypropylene)
11	0156-0004-0300 1 Impeller w/Mica Teflon Bushings (Natural Kynar) – Option	11	0156-0064-0300 1 Impeller w/Mica Teflon Bushings (Polypropylene) – Option
12	0156-0002-1000 1 Rear Housing (Natural Kynar)	12	0156-0061-1000 1 Rear Housing (Polypropylene)
13	0156-0009-0100 1 Drive Magnet	13	0156-0009-0100 1 Drive Magnet
14	0156-0073-0010 1 Motor Bracket (Aluminum)	14	0156-0073-0010 1 Motor Bracket (Aluminum)
15	0156-0053-1000 8 1/4"-20 Hex Nut (Stainless Steel)	15	0156-0053-1000 8 1/4"-20 Hex Nut (Stainless Steel)
16	0155-0017-1000 4 3/8"-16 x 1" Lg. Screw (Stainless Steel)	16	0155-0017-1000 4 3/8"-16 x 1" Lg. Screw (Stainless Steel)
17	0155-0019-1000 4 3/8" ID x 5/8" OD Washer (Stainless Steel)	17	0155-0019-1000 4 3/8" ID x 5/8" OD Washer (Stainless Steel)
18	0156-0008-1000 1 Motor, TEFC, 2 HP, 230/460 V, 50/60 Hz, 3 Phase	18	0156-0008-1000 1 Motor, TEFC, 2 HP, 230/460 V, 50/60 Hz, 3 Phase
19	0156-0022-1000 1 Motor, TEFC, 2 HP, 115/230 V, 50/60 Hz, 1 Phase	19	0156-0022-1000 1 Motor, TEFC, 2 HP, 115/230 V, 50/60 Hz, 1 Phase
W	0156-0031-0100 1 Wet End Kit (Items: 1, 2, 3, 5, 8, 9, 10, 12)	W	0156-0066-0100 1 Wet End Kit (Items: 1, 2, 3, 5, 8, 9, 10, 12)
Materials in Contact With Solution:		Materials in Contact With Solution:	
Natural Kynar (PVDF), Ceramic, Viton, Carbon		Polypropylene, Ceramic, Viton, Carbon	

LIMITED WARRANTY: March pumps are guaranteed only against defects in workmanship or materials for a period of one year from date of manufacture pumping water.

Explosion proof and special voltage motors are available upon special order.

NOTE: Contact Factory for other materials and/or parts not listed.

0156-0015-1000 R19