



TYPE "B" SINGLE STAGE
CENTRIFUGAL PUMP
Bearing Frame Mount

Section	FM
Page	50.1
Date	February 16, 2010
Supersedes 1/1/04	

CAST IRON IMPELLER

B2ERLL

Threaded Case (NPT)

Packing Construction

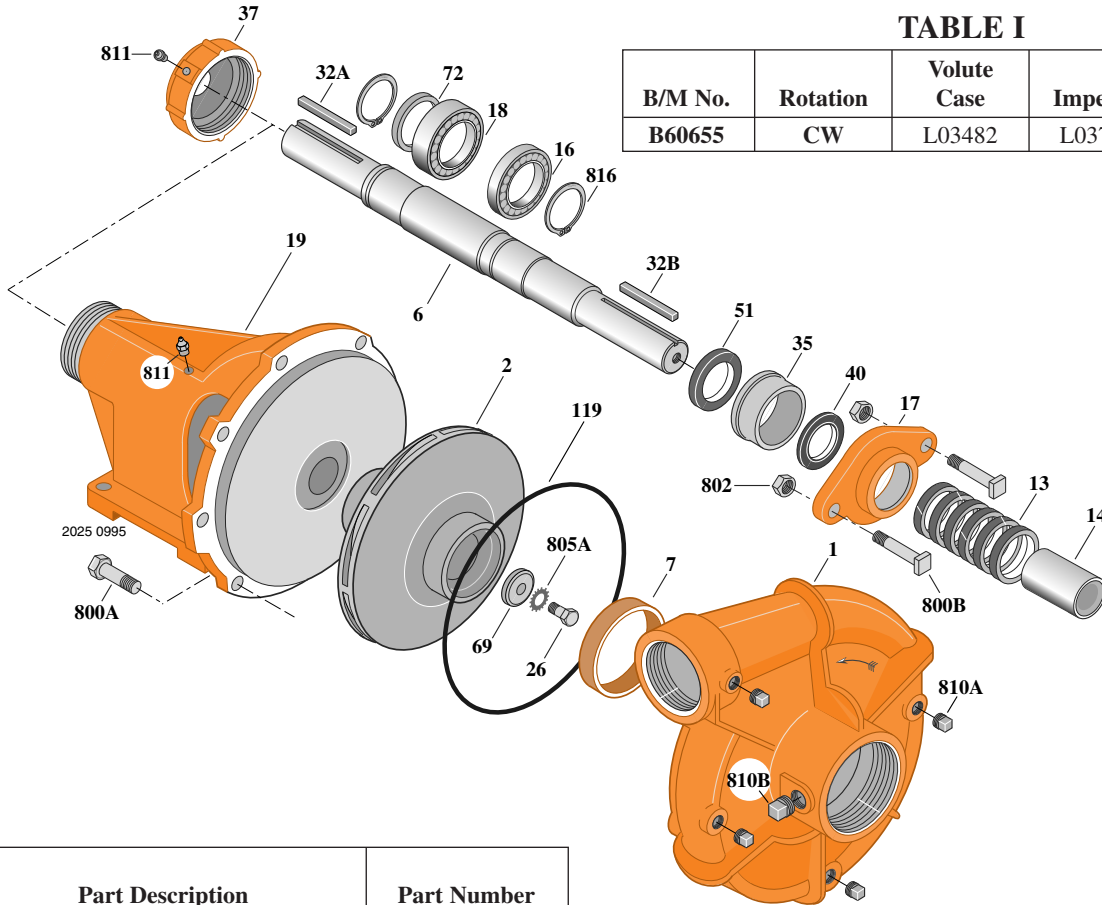


TABLE I

B/M No.	Rotation	Volute Case	Impeller	Impeller Diameter
B60655	CW	L03482	L03710	10.00"

Item No.	Part Description	Part Number
1	Case, Volute	See Table I
2	Impeller	See Table I
6	Shaft (Not sold separately)	See Note 2
7	Ring, Wearing	S13548
13	Ring, Packing (Set of 6)	S14022
14	Sleeve, Shaft	S05127
16	Bearing, Ball	S29895
17	Gland, Packing (See Note 1)	S04948
18	Bearing, Ball	S13271
19	Frame	H02089
26	Screw, Impeller 3/8-16x1"	S23566
32A	Key, 1/4x2-1/8"	S24255
32B	Key, 3/16x1-1/2"	S23500
35	Inner Bearing Cap	S13214
37	Outer Bearing Cap	S29308
40	Slinger, Water	M09685
51	Seal, Oil	S14763
69	Washer, Impeller	S06314
72	Ring, Thrust	S29218
119	O-Ring	S13760

Item No.	Part Description	Part Number
800A	Capscrew, Hex 1/2-13x1-1/4" (8 Req.)	S26914
800B	Bolt, Sq. Head 3/8-16x2-1/2" (2 Req.)	S23762
802	Nut, Hex 3/8-16 (2 Req.)	S23343
805A	Washer, Lock	S23036
810A	Plug, Pipe 1/4 NPT (4 Req.)	S23715
810B	Plug, Pipe 1/2 NPT	S23717
811	Fitting, Grease (3 Req.)	S23670
816	Ring, Retaining (2 Req.)	S23010

1. A two piece (split) stainless steel packing gland is available for replacement, order part number **B82468**.
2. **Shaft Replacement Kit** available for this model. Berkeley part number **B60633**. Pump Shaft sold in shaft replacement kit only.



TYPE "B" SINGLE STAGE CENTRIFUGAL PUMP Bearing Frame Mount

Section	FM
Page	60.1
Date	February 16, 2010
Supersedes 1/1/04	

CAST IRON IMPELLER

B2ERL

Threaded Case (NPT)

Packing Construction

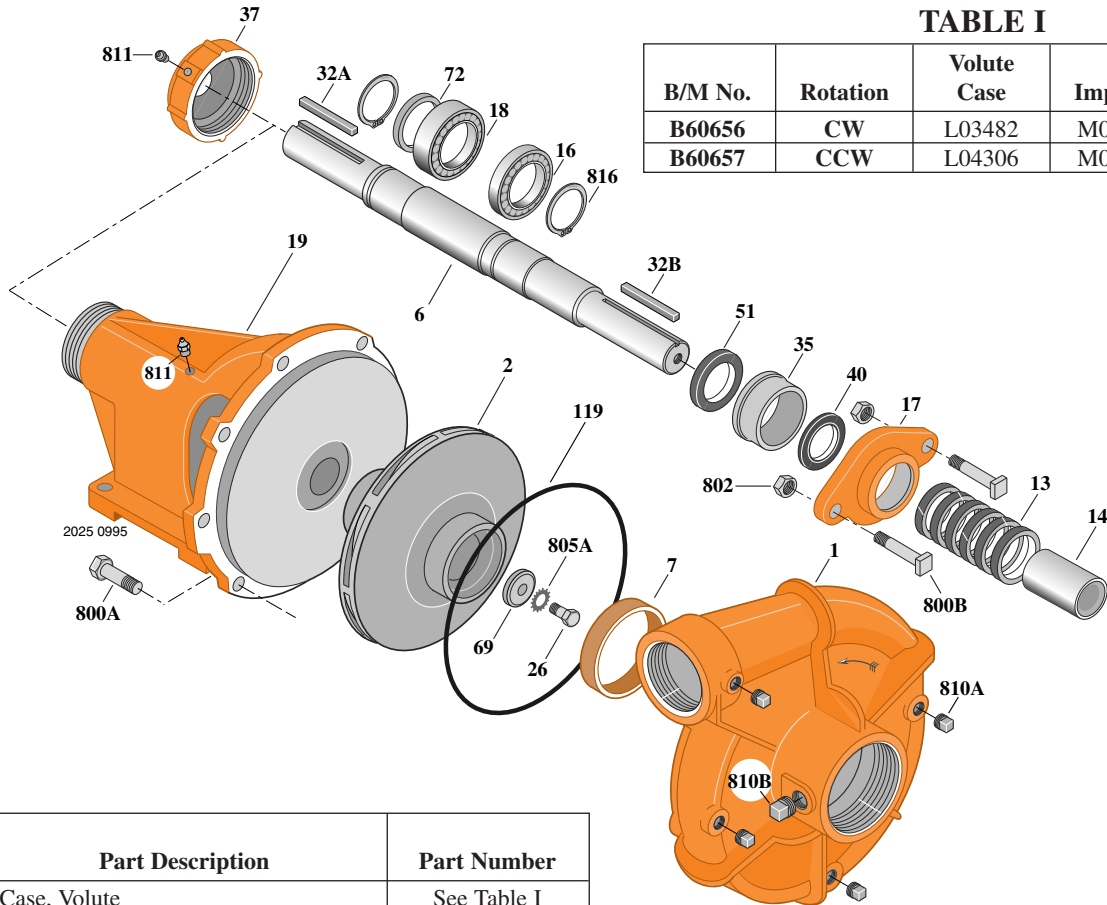


TABLE I

B/M No.	Rotation	Volute Case	Impeller	Impeller Diameter
B60656	CW	L03482	M05217	10.00"
B60657	CCW	L04306	M05697	10.00"

Item No.	Part Description	Part Number
1	Case, Volute	See Table I
2	Impeller	See Table I
6	Shaft (Not sold separately)	See Note 2
7	Ring, Wearing (CW)	S02005
7	Ring, Wearing (CCW)	S13548
13	Ring, Packing (Set of 6)	S14022
14	Sleeve, Shaft	S05127
16	Bearing, Ball	S29895
17	Gland, Packing (See Note 1)	S04948
18	Bearing, Ball	S13271
19	Frame	H02089
26	Screw, Impeller 3/8-16x1"	S23566
32A	Key, 1/4x2-1/8"	S24255
32B	Key, 3/16x1-1/2"	S23500
35	Inner Bearing Cap	S13214
37	Outer Bearing Cap	S29308
40	Slinger, Water	M09685
51	Seal, Oil	S14763
69	Washer, Impeller	S06314
72	Ring, Thrust	S29218
119	O-Ring	S13760

Item No.	Part Description	Part Number
800A	Capscrew, Hex 1/2-13x1-1/4" (8 Req.)	S26914
800B	Bolt, Sq. Head 3/8-16x2-1/2" (2 Req.)	S23762
802	Nut, Hex 3/8-16 (2 Req.)	S23343
805A	Washer, Lock	S23036
810A	Plug, Pipe 1/4 NPT (4 Req.)	S23715
810B	Plug, Pipe 1/2 NPT	S23717
811	Fitting, Grease (3 Req.)	S23670
816	Ring, Retaining (2 Req.)	S23010

1. A two piece (split) stainless steel packing gland is available for replacement, order part number **B82468**.
2. **Shaft Replacement Kit** available for this model. Berkeley part number **B60633**. Pump Shaft sold in shaft replacement kit only.



TYPE "B" SINGLE STAGE
CENTRIFUGAL PUMP
Bearing Frame Mount

Section	FM
Page	60.2
Date	February 16, 2010
Supersedes 1/1/04	

CAST IRON IMPELLER

B2ERLS

Threaded Case (NPT)

Mechanical Seal Construction

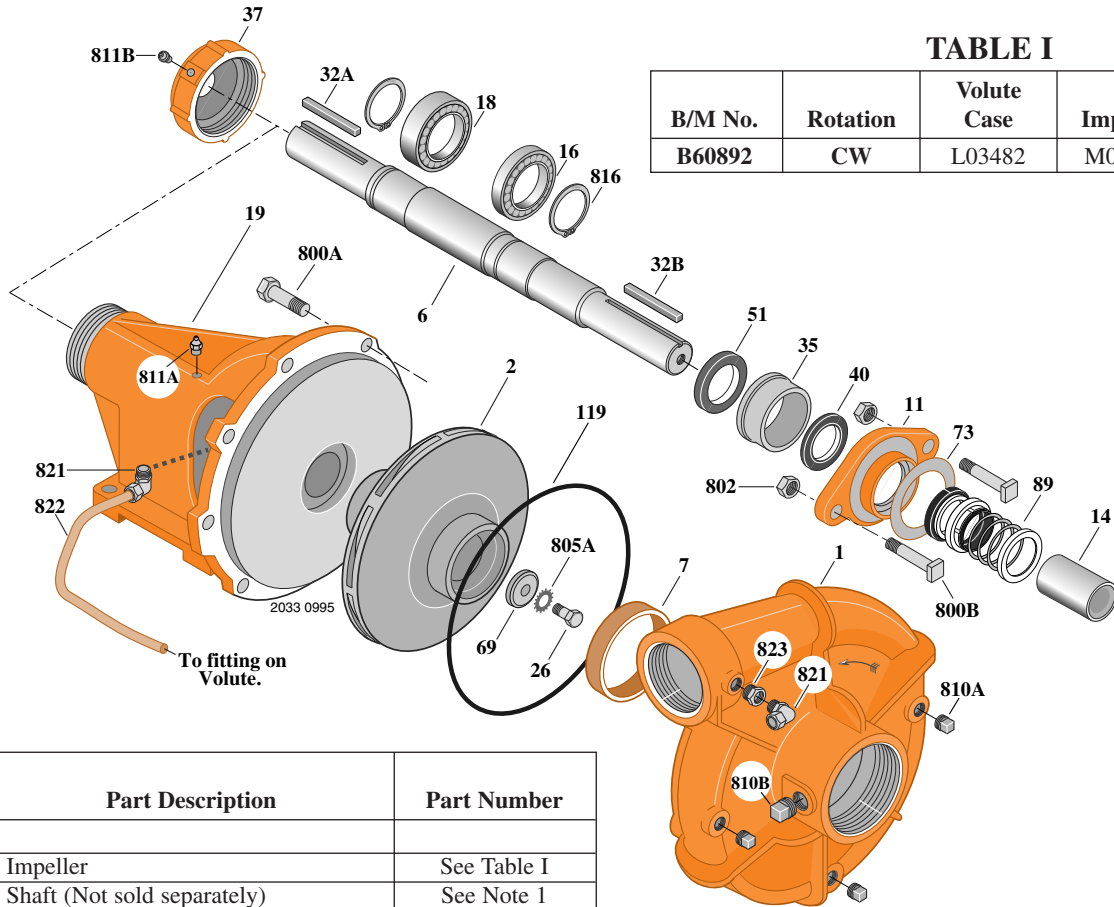


TABLE I

B/M No.	Rotation	Volute Case	Impeller	Impeller Diameter
B60892	CW	L03482	M05217	10.00"

Item No.	Part Description	Part Number
2	Impeller	See Table I
6	Shaft (Not sold separately)	See Note 1
7	Ring, Wearing	S02005
11	Retainer, Mechanical Shaft Seal	S05993
14	Sleeve, Shaft	S05127
16	Bearing, Ball	S13270
18	Bearing, Ball	S13271
19	Frame	H03960
26	Screw, Impeller 3/8-16x1"	S23566
32A	Key, 1/4x2-1/8"	S24255
32B	Key, 3/16x1-1/2"	S23500
35	Inner Bearing Cap	S13214
37	Outer Bearing Cap	S13059
40	Slinger, Water	M09685
51	Seal, Oil	S14763
69	Washer, Impeller	S06314
73	Gasket, Seal Retainer	S08911
89	Seal, Mechanical Shaft	S32689
119	O-Ring	S13760
800A	Capscrew, Hex 1/2-13x1-1/4" (8 Req.)	S26914
800B	Bolt, Sq. Head 3/8-16x2" (2 Req.)	S23760
802	Nut, Hex (2 Req.)	S23343
805A	Washer, Lock	S23036

Item No.	Part Description	Part Number
810A	Plug, Pipe 1/4 NPT (4 Req.)	S23715
810B	Plug, Pipe 1/2 NPT (2 Req.)	S23717
811A	Fitting, Grease	S23670
811B	Fitting, Grease (2 Req.)	S23700
816	Ring, Retaining (2 Req.)	S23010
821	Elbow, Comp. Tube (2 Req.)	S24128
822	Tubing, Copper	S20677
823	Bushing, Pipe	S24600

1. **Shaft Replacement Kit** available for this model. Berkeley part number **B60633**. Pump Shaft sold in shaft replacement kit only.