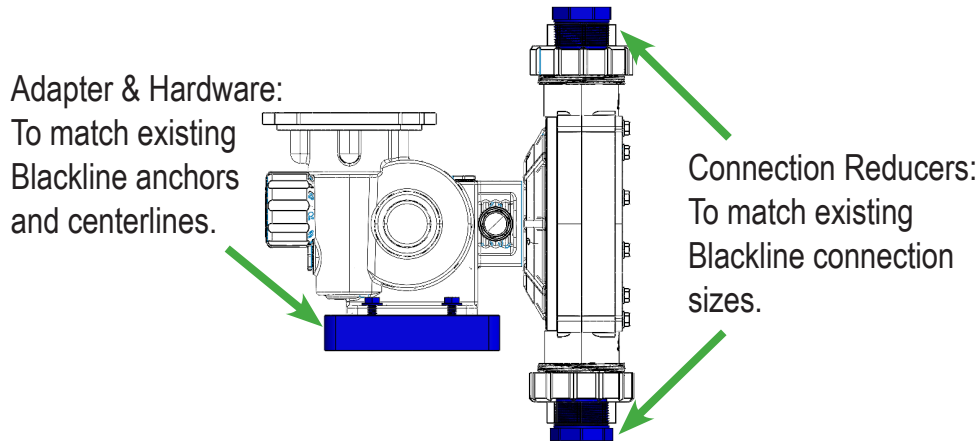


GreenLine Conversion Kit

Are you replacing a BlackLine Mechanical Diaphragm pump with Pulsafeeder GreenLine Mechanical Diaphragm pump in the field?

You may be aware of the advantages of switching to the new GreenLine pump: from its robust drive train, smaller footprint, and leak-free design to its auto locking stroke adjuster and amazing value; GreenLine is the best in its class. Now we've made it even easier to switch! We're introducing a conversion kit that will simplify the conversion process. The kit can be ordered at no cost* when replacing existing Blackline pump installation.



BLACKLINE TO GREENLINE CONVERSION KITS INCLUDE

- **Adapter Plate:** A block that the base of the GreenLine is mounted to which allows the new GreenLine to be bolted into the exact same base-mounting bolt hole pattern as the Blackline it is replacing. It will also keep the same port-to-port centerline with the existing system piping*.
- **Adapter Hardware:** Bolts, nuts, washers used to mount the GreenLine to the Adapter Plate.
- **Connection Reducers:** Allows the customer to use the same piping size as they did for the BlackLine*.

*The end user may have to slightly extend or reduce the existing system piping to connect to the new GreenLine ports.

Blackline to GreenLine Model	WET-END CONFIGURATION		
	PVC	316	PVDF
MD1A to DM2A	KDM2ACDX *	KDM2ACDX *	KDM2ACDX *
MD1B to DM2C	KDM2ACDX *	KDM2ACDX *	KDM2ACDX *
MD1C to DM2D	KDM2ACDX *	KDM2ACDX *	KDM2ACDX *
MD1D to DM4B	KDM4BXXV	KDM4BXXS	KDM4BXXF
MD1E to DM4B	KDM4BXXV	KDM4BXXS	KDM4BXXF
MD2F to DM4C	KDM4CXXV	KDM4CXXS	KDM4CXXF
MD2J to DM4D	KDM4CXXV	KDM4CXXS	KDM4CXXF
MD2J to DM5C	KDM5CDXV	KDM5CDXS	KDM5CDXF
MD2K to DM5D	KDM5CDXV	KDM5CDXS	KDM5CDXF
MD3G to DM6C	KDM6CXXV	KDM6CXXS	KDM6CXXF

* Adapter and hardware no reducers.

HOW TO ORDER CONVERSION KIT

- Please find conversion part number using table above
- Part number should be entered on purchase order as a separate line item
- Eligible for special discounts when purchased with GreenLine pump for BlackLine replacement. Please contact your sales manager.
- Part will ship in separate box than pump

- Standard material for the connection reducers is PVC or 316SS. PVDF is available at a highly discounted price for conversions.
- Existing piping may need to be cut (most likely) or extended (unlikely) to meet the new pump nozzle location.



Pulsafeeder, Inc.
A Unit of IDEX Corporation
An ISO Certified Company



2883 Brighton Henrietta Town Line Rd
Rochester, NY 14623
Phone: +1 (585) 292-8000
pulsa@idexcorp.com

27101 Airport Rd
Punta Gorda, FL 33982
Phone: +1 (941) 575-3800
pulsaspo.cs@idexcorp.com