

OPERATOR'S MANUAL

PE30X-XXX-XXX-COS

INCLUDING: OPERATION, INSTALLATION & MAINTENANCE

RELEASED: 12-12-06
 REVISED: 5-11-10
 (REV. 03)

3" DIAPHRAGM PUMP 1:1 RATIO (METALLIC)



**READ THIS MANUAL CAREFULLY BEFORE INSTALLING,
 OPERATING OR SERVICING THIS EQUIPMENT.**

It is the responsibility of the employer to place this information in the hands of the operator. Keep for future reference.

SERVICE KITS

Refer to Model Description Chart to match the pump material options.

637303-XX for fluid section repair (see page 4). NOTE: This kit also contains several air motor seals which will need to be replaced.

637421 for air section repair (see page 6).

PUMP DATA

Models see Model Description Chart for "-XXX"
Pump Type Metallic Air Operated Double Diaphragm
Material see Model Description Chart

Weight ... PE30A-XAX-XXX-COS 126.5 lbs (57.4 kgs)
 PE30A-XCX-XXX-COS 213.6 lbs (96.9 kgs)
 PE30A-XHX-XXX-COS 246.8 lbs (111.9 kgs)
 PE30A-XXS-XXX-COS 225.8 lbs (102.4 kgs)

(add 36.2 lbs [16.4 kgs] for stainless steel air motor section)

Maximum Air Inlet Pressure 120 p.s.i.g. (8.3 bar)
Maximum Material Inlet Pressure ... 10 p.s.i.g. (0.69 bar)
Maximum Outlet Pressure 120 p.s.i.g. (8.3 bar)
Maximum Flow Rate 237 g.p.m. (897 l.p.m.)
flooded inlet 275 g.p.m. (1041 l.p.m.)

Displacement / Cycle @ 100 p.s.i.g. .. 2.8 gal. (10.6 lit.)
Maximum Particle Size 3/8" dia. (9.5 mm)

Maximum Temperature Limits (diaphragm / ball / seal material)
 E.P.R. / EPDM -60° to 280° F (-51° to 138° C)
 Hytrel® -20° to 150° F (-29° to 66° C)
 Nitrile 10° to 180° F (-12° to 82° C)
 Kynar® PVDF 10° to 200° F (-12° to 93° C)
 Santoprene® -40° to 225° F (-40° to 107° C)
 PTFE 40° to 225° F (4° to 107° C)
 Viton® -40° to 350° F (-40° to 177° C)

Dimensional Data see page 8
Mounting Dimensions 10-5/32" x 12-1/16"
 (258 mm x 306 mm)

Noise Level @ 70 p.s.i., 50 c.p.m.① ... 83.0 db(A)②

① Tested with 67263 muffler assembly installed.
 ② The pump sound pressure levels published here have been updated to an Equivalent Continuous Sound Level (L_{Aeq}) to meet the intent of ANSI S1.13-1971, CAGI-PNEUROP S5.1 using four microphone locations.

NOTICE: All possible options are shown in the chart, however, certain combinations may not be recommended, consult a representative or the factory if you have questions concerning availability.

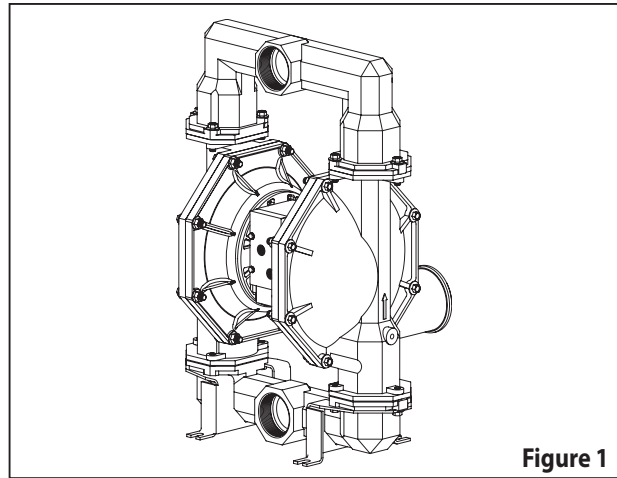


Figure 1

MODEL DESCRIPTION CHART

PE30X - XXX - XXX - COS		
Air Motor / Air Cap Material A - Aluminum / Aluminum S - Stainless Steel / Stainless Steel		
Fluid Connection A - 3 - 8 N.P.T.F. - 1 B - Rp 3 (3 - 11 BSP parallel)		
Fluid Cap & Manifold Material A - Aluminum H - Hastelloy® - C C - Cast Iron S - Stainless Steel		
Hardware Material P - Carbon Steel S - Stainless Steel		
Seat Material A - Santoprene H - Hard 440 Stainless Steel C - Hytrel K - Kynar PVDF E - Carbon Steel L - Hastelloy - C F - Aluminum S - 316 Stainless Steel G - Nitrile		
Ball Material A - Santoprene S - 316 Stainless Steel C - Hytrel T - PTFE G - Nitrile V - Viton		
Diaphragm Material A - Santoprene G - Nitrile B - Santoprene (backer) T - PTFE / Santoprene C - Hytrel V - Viton		
Fluid Section Service Kit Selection		PE30X - XXX - XXX - COS 637303 - <input checked="" type="checkbox"/> - <input type="checkbox"/>
EXAMPLE: Model #PE30A-ACS-SAA-COS Fluid Section Service Kit # 637303-AA		Ball <input type="checkbox"/> Diaphragm <input type="checkbox"/>

INGERSOLL RAND COMPANY LTD

209 NORTH MAIN STREET - BRYAN, OHIO 43506

① (800) 276-4658 • FAX (800) 266-7016

© 2010

CCN 15275092

www.ingersollrandproducts.com

ARO

IR Ingersoll Rand
 Industrial Technologies

OPERATING AND SAFETY PRECAUTIONS

READ, UNDERSTAND AND FOLLOW THIS INFORMATION TO AVOID INJURY AND PROPERTY DAMAGE.



⚠ WARNING EXCESSIVE AIR PRESSURE. Can cause personal injury, pump damage or property damage.

- Do not exceed the maximum inlet air pressure as stated on the pump model plate.
- Be sure material hoses and other components are able to withstand fluid pressures developed by this pump. Check all hoses for damage or wear. Be certain dispensing device is clean and in proper working condition.

⚠ WARNING STATIC SPARK. Can cause explosion resulting in severe injury or death. Ground pump and pumping system.

- Use the pump grounding screw terminal provided. Use ARO® part no. 66885-1 ground kit or connect a suitable ground wire (12 ga. min.) to a good earth ground source.
- Secure pump, connections and all contact points to avoid vibration and generation of contact or static spark.
- Consult local building codes and electrical codes for specific grounding requirements.
- After grounding, periodically verify continuity of electrical path to ground. Test with an ohmmeter from each component (e.g., hoses, pump, clamps, container, spray gun, etc.) to ground to insure continuity. Ohmmeter should show 0.1 ohms or less.
- Submerge the outlet hose end, dispensing valve or device in the material being dispensed if possible. (Avoid free streaming of material being dispensed.)
- Use hoses incorporating a static wire.
- Use proper ventilation.
- Keep inflammables away from heat, open flames and sparks.
- Keep containers closed when not in use.

⚠ WARNING Pump exhaust may contain contaminants. Can cause severe injury. Pipe exhaust away from work area and personnel.

- In the event of a diaphragm rupture, material can be forced out of the air exhaust muffler.
- Pipe the exhaust to a safe remote location when pumping hazardous or inflammable materials.
- Use a grounded 1" minimum i.d. hose between the pump and the muffler.

⚠ WARNING HAZARDOUS PRESSURE. Can result in serious injury or property damage. Do not service or clean pump, hoses or dispensing valve while the system is pressurized.

- Disconnect air supply line and relieve pressure from the system by opening dispensing valve or device and / or carefully and slowly loosening and removing outlet hose or piping from pump.

⚠ WARNING HAZARDOUS MATERIALS. Can cause serious injury or property damage. Do not attempt to return a pump to the factory or service center that contains hazardous material. Safe handling practices must comply with local and national laws and safety code requirements.

- Obtain Material Safety Data Sheets on all materials from the supplier for proper handling instructions.

⚠ WARNING EXPLOSION HAZARD. Models containing aluminum parts cannot be used with 1,1,1-trichloroethane, methylene chloride or other halogenated hydrocarbon solvents which may react and explode.

- Check pump motor section, fluid caps, manifolds and all wetted parts to assure compatibility before using with solvents of this type.

⚠ WARNING MISAPPLICATION HAZARD. Do not use models containing aluminum wetted parts with food products for human consumption. Plated parts can contain trace amounts of lead.

⚠ CAUTION Verify the chemical compatibility of the pump wetted parts and the substance being pumped, flushed or recirculated. Chemical compatibility may change with temperature and concentration of the chemical(s) within the substances being pumped, flushed or circulated. For specific fluid compatibility, consult the chemical manufacturer.

⚠ CAUTION Maximum temperatures are based on mechanical stress only. Certain chemicals will significantly reduce maximum safe operating temperature. Consult the chemical manufacturer for chemical compatibility and temperature limits. Refer to PUMP DATA on page 1 of this manual.

⚠ CAUTION Be certain all operators of this equipment have been trained for safe working practices, understand it's limitations, and wear safety goggles / equipment when required.

⚠ CAUTION Do not use the pump for the structural support of the piping system. Be certain the system components are properly supported to prevent stress on the pump parts.

- Suction and discharge connections should be flexible connections (such as hose), not rigid piped, and should be compatible with the substance being pumped.

⚠ CAUTION Prevent unnecessary damage to the pump. Do not allow pump to operate when out of material for long periods of time.

- Disconnect air line from pump when system sits idle for long periods of time.

⚠ CAUTION Use only genuine ARO replacement parts to assure compatible pressure rating and longest service life.

NOTICE Replacement warning labels are available upon request: "Static Spark & Diaphragm Rupture" pn \ 94080.

⚠ WARNING = Hazards or unsafe practices which could result in severe personal injury, death or substantial property damage.

⚠ CAUTION = Hazards or unsafe practices which could result in minor personal injury, product or property damage.

NOTICE = Important installation, operation or maintenance information.

GENERAL DESCRIPTION

The ARO diaphragm pump offers high volume delivery even at low air pressure and a broad range of material compatibility options are available. Refer to the model and option chart. ARO pumps feature stall resistant design, modular air motor / fluid sections.

Air operated double diaphragm pumps utilize a pressure differential in the air chambers to alternately create suction and a positive fluid pressure in the fluid chambers, valve checks insure a positive flow of fluid.

Pump cycling will begin as air pressure is applied and will continue to pump and keep up with the demand. It will build and maintain line pressure and will stop cycling once maximum line pressure is reached (dispensing device closed) and will resume pumping as needed.

AIR AND LUBE REQUIREMENTS

⚠ WARNING EXCESSIVE AIR PRESSURE. Can cause pump damage, personal injury or property damage.

- A filter capable of filtering out particles larger than 50 microns should be used on the air supply. There is no lubrication required other than the "O" ring lubricant which is applied during assembly or repair.
- If lubricated air is present, make sure that it is compatible with the "O" rings and seals in the air motor section of the pump.

OPERATING INSTRUCTIONS

- Always flush the pump with a solvent compatible with the material being pumped if the material being pumped is subject to "setting up" when not in use for a period of time.
- Disconnect the air supply from the pump if it is to be inactive for a few hours.
- The outlet material volume is governed not only by the air supply, but also by the material supply available at the inlet. The material supply tubing should not be too small or restrictive. Be sure not to use hose which might collapse.
- When the diaphragm pump is used in a forced-feed (flooded inlet) situation, it is recommended that a "check valve" be installed at the air inlet.
- Secure the diaphragm pump legs to a suitable surface to insure against damage by vibration.

PARTS AND SERVICE KITS

Refer to the part views and descriptions as provided on pages 4 through 7 for parts identification and service kit information.

- Certain ARO "Smart Parts" are indicated which should be available for fast repair and reduction of down time.
- Service kits are divided to service two separate diaphragm pump functions: 1. AIR SECTION, 2. FLUID SECTION. The Fluid Section is divided further to match typical part Material Options.

MAINTENANCE

- Provide a clean work surface to protect sensitive internal moving parts from contamination from dirt and foreign matter during service disassembly and reassembly.
- Keep good records of service activity and include the pump in preventive maintenance program.
- Before disassembling, empty captured material in the outlet manifold by turning the pump upside down to drain material from the pump.

FLUID SECTION DISASSEMBLY

1. Remove (61) outlet manifold, (60) inlet manifold.
 2. Remove (22) balls, (19) "O" rings (if applicable) and (21) seats.
 3. Remove (15) fluid caps.
- NOTE: Only PTFE diaphragm models use a (7) primary diaphragm and an (8) backup diaphragm. Refer to the auxiliary view in the Fluid Section illustration.
4. Remove the (14) screw, (6) diaphragm washer, (7) or (7 / 8) diaphragms, (5) backup washer and (196) cushion.

NOTE: Do not scratch or mar the surface of (1) diaphragm rod.

FLUID SECTION REASSEMBLY

SERVICE NOTE: ARO pn 204214-T diaphragm assembly tool is recommended for use when reassembling the pump.

- Reassemble in reverse order. Refer to the torque requirements on page 5.
- Clean and inspect all parts. Replace worn or damaged parts with new parts as required.
- Lubricate (1) diaphragm rod and (144) "U" cups with Lubriplate® FML-2 grease (94276 grease packet is included in service kit).
- Be certain the diaphragm assembly bottoms out on the (1) rod, back off PTFE diaphragm assembly far enough to align holes.
- For models with PTFE diaphragms: Item (8) Santoprene diaphragm is installed with the side marked "AIR SIDE" towards the pump center body. Install the (7) PTFE diaphragm with the side marked "FLUID SIDE" towards the (15) fluid cap.
- Re-check torque settings after the pump has been re-started and run a while.

• Viton® and Hytrel® are registered trademarks of the DuPont Company • Kynar® is a registered trademark of Arkema Inc. • Loctite® is a registered trademark of Henkel Loctite Corporation • Santoprene® is a registered trademark of Monsanto Company, licensed to Advanced Elastomer Systems, L.P. • ARO® is a registered trademark of Ingersoll-Rand Company • Lubriplate® is a registered trademark of Lubriplate Division (Fiske Brothers Refining Company) • Hastelloy® is a registered trademark of Haynes International, Inc. • 262™, 271™ and 572™ are trademarks of Henkel Loctite Corporation •

PARTS LIST / PE30X-XXX-XXX-C0S FLUID SECTION

① 637303-XX Fluid Section Service Kits include: Balls (see Ball Option, refer to -XX in chart below), Diaphragms (see Diaphragm Option, refer to -XX in chart below), and items 3, 19, 70, 144, 175 and 196 (listed below) plus 94276 Lubriplate FML-2 grease (page 6).

SEAT OPTIONS PE30X-XXX-XXX-C0S								BALL OPTIONS PE30X-XXX-XXX-C0S							
"21"								① "22" (3-1/4" diameter)				① "19" (3/16" x 5" o.d.)			
-XXX	Seat	Qty	[Mtl]	-XXX	Seat	Qty	[Mtl]	-XXX	Ball	Qty	[Mtl]	Gasket	Qty	[Mtl]	
-AXX	94104-A	(4)	[Sp]	-HXX	94114	(4)	[SH]	-XAX	94103-A	(4)	[Sp]	94115	(4)	[E]	
-CXX	94104-C	(4)	[H]	-KXX	94621-K	(4)	[K]	-XCX	94103-C	(4)	[H]	Y327-350	(4)	[V]	
-EXX	95678	(4)	[C]	-LXX	94939	(4)	[Ha]	-XGX	94103-G	(4)	[B]	Y325-350	(4)	[B]	
-FXX	95674	(4)	[A]	-SXX	94113	(4)	[SS]	-XTX	94103-T	(4)	[T]	Y328-350	(4)	[T]	
-GXX	94104-G	(4)	[B]					-XVX	94103-V	(4)	[V]	Y327-350	(4)	[V]	

DIAPHRAGM OPTIONS PE30X-XXX-XXX-C0S										
-XXX	① Service Kit -XX = (Ball) -XX = (Diaphragm)	① "7"			① "8"			① "3"		
		Diaphragm	Qty	[Mtl]	Diaphragm	Qty	[Mtl]	"O" Ring (1/8" x 1" o.d.)	Qty	[Mtl]
-XXA	637303-XA	94091-A	(2)	[Sp]	-----	---	---	Y328-210	(2)	[T]
-XXB	637303-XB	94110-A	(2)	[Sp]	-----	---	---	Y328-210	(2)	[T]
-XXC	637303-XC	94091-C	(2)	[H]	-----	---	---	Y327-210	(2)	[V]
-XXG	637303-XG	94091-G	(2)	[B]	-----	---	---	Y328-210	(2)	[T]
-XXT	637303-XT	94090-T	(2)	[T]	94110-A	(2)	[Sp]	Y328-210	(2)	[T]
-XXV	637303-XV	95345	(2)	[V]	-----	---	---	Y327-210	(2)	[V]

MATERIAL CODE	
[A]	= Aluminum
[B]	= Nitrile
[C]	= Carbon Steel
[Co]	= Copper
[Cl]	= Cast Iron
[E]	= E.P.R.
[H]	= Hytrel
[Ha]	= Hastelloy - C
[K]	= Kynar PVDF
[SH]	= Hard Stainless Steel
[Sp]	= Santoprene
[SS]	= Stainless Steel
[T]	= PTFE
[V]	= Viton

CENTER SECTION OPTIONS PE30X-XXX-XXX-C0S						
Item	Description (size)	Qty	PE30A-XXX-XXX-C0S Part No.	[Mtl]	PE30S-XXX-XXX-C0S Part No.	[Mtl]
5	Backup Washer	(2)	94831-1	[C]	94831-2	[SS]
68	Air Cap	(1)	94721-1	[A]	94031-1	[SS]
69	Air Cap	(1)	94721-2	[A]	94031-2	[SS]
131	Screw (M10 x 1.5 - 6g x 120 mm)	(4)	94531	[C]	96656	[SS]
① ② 175	"O" Ring (3/32" x 1" o.d.)	(2)	Y325-117	[B]	-----	---
① ②	(3/32" x 1-1/16" o.d.)	(2)	-----	---	Y325-118	[B]
181	Roll Pin (5/32" o.d. x 3/4" long)	(4)	-----	---	Y178-56-S	[SS]

NOTE: Seat options -AXX, -CXX and -GXX do not require item 19 "O" ring.

MANIFOLD THREAD / FLUID CAP MATERIAL OPTIONS PE30X-XXX-XXX-C0S										
Item	Description (size)	Qty	Aluminum		Cast Iron		Hastelloy - C		Stainless Steel	
			PE30X-XAX-XXX-C0S Part No.	[Mtl]	PE30X-XCX-XXX-C0S Part No.	[Mtl]	PE30X-XHX-XXX-C0S Part No.	[Mtl]	PE30X-XSX-XXX-C0S Part No.	[Mtl]
6	Fluid Side Washer	(2)	94802	[A]	94803	[SS]	94947	[Ha]	94803	[SS]
9	Washer (13/16" i.d. x 2" o.d. x 5/32")	(2)	Y13-12-T	[SS]	Y13-12-T	[SS]	94949	[Ha]	Y13-12-T	[SS]
14	Screw (3/4" - 16 x 3-1/4")	(2)	Y5-134-T	[SS]	Y5-134-T	[SS]	94948	[Ha]	Y5-134-T	[SS]
15	Fluid Cap	(2)	94024	[A]	94106	[Cl]	94693	[Ha]	94107	[SS]
32	Leg	(2)	-----	---	94701-1	[C]	94703-2	[SS]	94703-2	[SS]
60	Inlet Manifold (PE30X-AXX-XXX-C0S)	(1)	94699-1	[A]	94305-1	[Cl]	94691-1	[Ha]	94216-1	[SS]
	(PE30X-BXX-XXX-C0S)	(1)	94699-2	[A]	94305-2	[Cl]	94691-2	[Ha]	94216-2	[SS]
61	Outlet Manifold (PE30X-AXX-XXX-C0S)	(1)	94700-1	[A]	94702-1	[Cl]	94809-1	[Ha]	94704-1	[SS]
	(PE30X-BXX-XXX-C0S)	(1)	94700-2	[A]	94702-2	[Cl]	94809-2	[Ha]	94704-2	[SS]

EXTERNAL HARDWARE OPTIONS PE30X-XXX-XXX-C0S						
Item	Description (size)	Qty	PE30X-XXP-XXX-C0S		PE30X-XXS-XXX-C0S	
			Part No.	[Mtl]	Part No.	[Mtl]
26	Screw (M12 x 1.75 - 6g x 45 mm)	(12)	94412-1	[C]	94412-2	[SS]
27	Screw (M12 x 1.75 - 6g x 60 mm)	(16)	94991-1	[C]	94991	[SS]
29	Nut (M12 x 1.75 - 6h)	(16)	95053-1	[C]	95053	[SS]

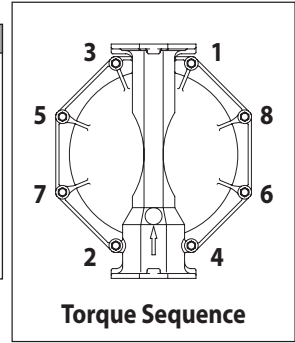
COMMON PARTS									
Item	Description (size)	Qty	Part No.	[Mtl]	Item	Description (size)	Qty	Part No.	[Mtl]
① 1	Rod	(1)	94984	[C]	① ② 144	"U" Cup (3/16" x 1-3/8" o.d.)	(2)	Y186-51	[B]
43	Ground Lug (see page 7)	(1)	93004	[Co]	② 180	Washer (0.406" i.d. x 0.031" thick)	(4)	94098	[Co]
① ② 70	Gasket	(2)	94100	[B]	① 196	Cushion	(2)	94631	[Sp]
126	Pipe Plug (1/4 - 18 N.P.T. x 13/32")	(2)	Y17-51-S	[SS]					

② Items included in air motor service kit, see pages 6 and 7.

③ "Smart Parts", keep these items on hand in addition to the service kit for fast repair and reduction of down time.

PARTS LIST / PE30X-XXX-XXX-C0S FLUID SECTION

COLOR CODE		
Material	Diaphragm Color	Ball Color
Hytrell	Cream	Cream
Nitrile	Black	Red (•)
Santoprene	Tan	Tan
Santoprene (Backup)	Green	N/A
PTFE	White	White
Viton	Yellow (-)	Yellow (•)
	(-) Dash	(•) Dot



FOR THE AIR MOTOR SECTION, SEE PAGES 6 & 7.

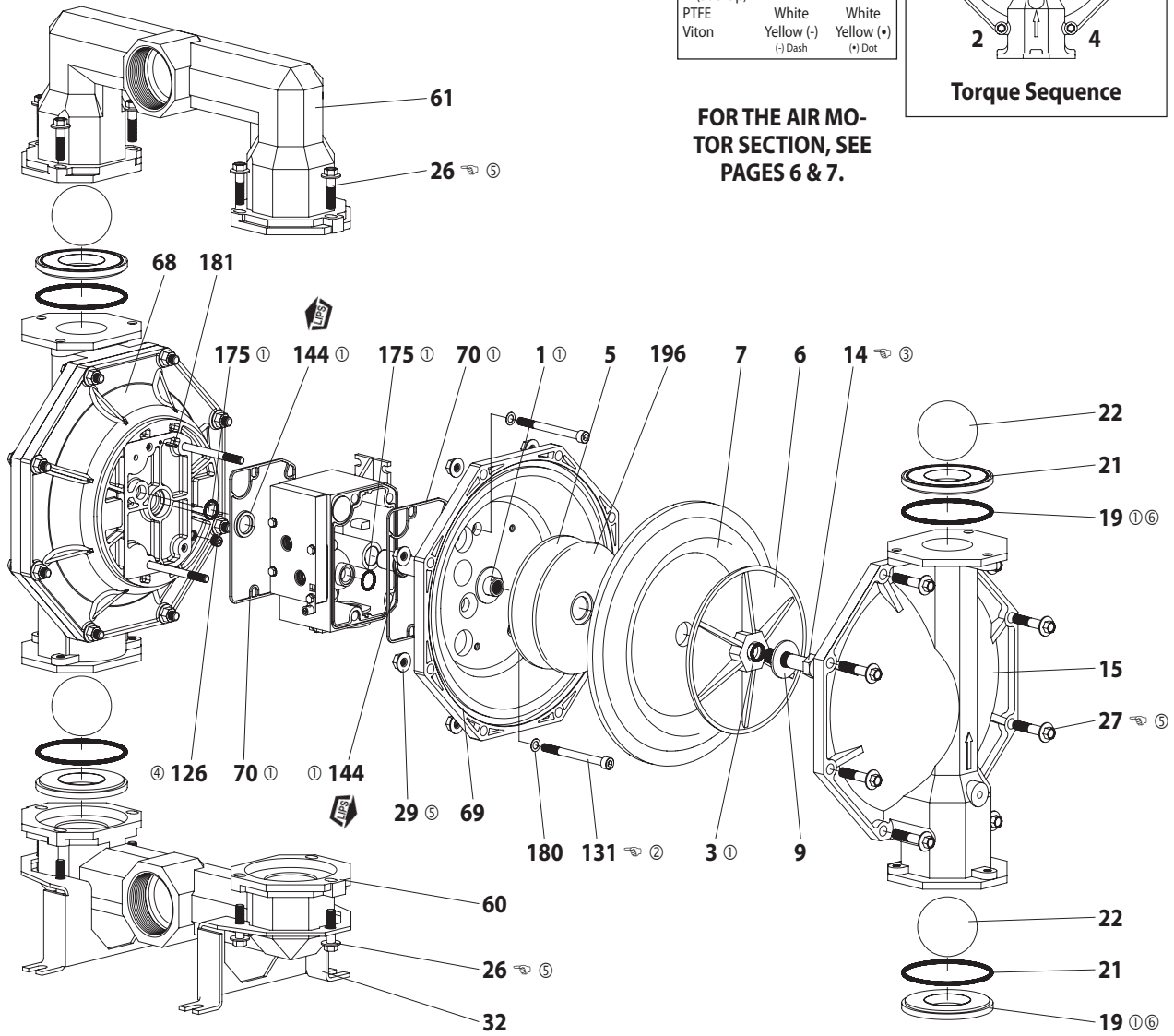
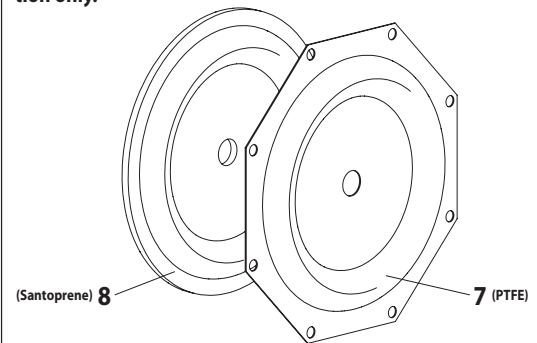


Figure 2

View for PE30X-XXX-XXI-C0S (PTFE diaphragm) configuration only.



ASSEMBLY TORQUE REQUIREMENTS

NOTE: DO NOT OVERTIGHTEN FASTENERS.

ALL FASTENERS ARE METRIC.

- (14) Diaphragm screw, 65 - 70 ft lbs (88.1 - 94.9 Nm).
- (26 and 27) Fluid cap / manifold screw, 60 - 70 ft lbs (81.4 - 94.9 Nm).
- (131) Screw, 35 - 40 ft lbs (47.5 - 54.2 Nm).

LUBRICATION / SEALANTS

- ① Apply Lubriplate FML-2 grease to all "O" rings, "U" cups and mating parts.
- ② Apply Loctite® 262™ to threads at assembly.
- ③ Apply Loctite 271™ to threads.
- ④ Apply Loctite 572™ to threads.
- ⑤ Apply anti-seize compound to threads and bolt and nut flange heads which contact pump case when using stainless steel fasteners.
- ⑥ Not used with PE30X-XXX-AXX-C0S, -CXX and -GXX. Lubriplate FML-2 is a white food grade petroleum grease.

PARTS LIST / PE30X-XXX-XXX-C0S AIR SECTION

② Indicates parts included in 637421 air section service kit shown below and items 70, 144, 175 and 180 shown on page 4.

AIR MOTOR PARTS LIST

Item	Description (size)	(Qty)	Part No.	[Mtl]	Item	Description (size)	(Qty)	Part No.	[Mtl]
101	Center Body (PE30A-XXX-XXX-C0S)	(1)	94028	[A]	② ④ 146	"O" Ring (3/32" x 1-1/16" o.d.)	(1)	Y325-118	[B]
	(PE30S-XXX-XXX-C0S)	(1)	94109	[SS]	② ④ 147	"O" Ring (1/8" x 1/2" o.d.)	(2)	Y325-202	[B]
103	Bushing	(1)	94092	[D]	160	Air Manifold	(1)	96612	[A]
121	Plug	(2)	96613	[D]	② ④ 166	Track Gasket	(1)	94026	[B]
127	90° St. Elbow (1-1/2 - 11-1/2 N.P.T.)	(1)	94860	[C / I]	④ 173	"O" Ring (1/16" x 1-3/8" o.d.)	(2)	Y325-26	[B]
② 132	Gasket	(1)	94099	[B]	④ 176	Diaphragm (check valve)	(2)	94102	[Sp]
133	Lockwasher (1/4")				201	Muffler Kit (includes item 127)	(1)	67213	
	(PE30A-XXX-XXX-C0S)	(3)	Y117-416-C	[C]					
	(PE30S-XXX-XXX-C0S)	(3)	Y14-416-T	[SS]					
134	Screw (M6 x 1 - 6g x 30 mm)	(4)	96358	[SS]	① ②	Lubriplate FML-2 Grease	(1)	94276	
						Lubriplate Grease packets (10)		637308	

MATERIAL CODE

[A] = Aluminum	[D] = Acetal	[Sp] = Santoprene
[B] = Nitrile	[I] = Iron	[SS] = Stainless Steel
[C] = Carbon Steel		

AIR MOTOR SECTION SERVICE

GENERAL REASSEMBLY NOTES:

- Air Motor Section service is continued from Fluid Section repair.
- Inspect and replace old parts with new parts as necessary. Look for deep scratches on metallic surfaces, and nicks or cuts in "O" rings.
- Take precautions to prevent cutting "O" rings upon installation.
- Lubricate "O" rings with Lubriplate FML-2 grease.
- Do not over-tighten fasteners, refer to torque specification block on view.
- Re-torque fasteners following restart.

- ① Items included in fluid section service kit, see pages 4 and 5.
- ④ Used on models PE30A-XXX-XXX-C0S only.
- ⑤ Used on models PE30S-XXX-XXX-C0S only.

AIR MOTOR SECTION DISASSEMBLY

1. Remove (160) air manifold, exposing (132 and 166) gaskets and (176) checks.
2. Remove (121) plugs.

AIR MOTOR SECTION REASSEMBLY

1. Clean and lubricate parts not being replaced from service kit.
2. Replace (173) "O" rings and assemble (121) plugs.
3. Assemble (132 and 166) gaskets and (176) checks to (101) center body.
4. Assemble (160) air manifold to (101) center body, securing with (134) screws. NOTE: Tighten screws to 40 - 50 in. lbs (4.5 - 5.6 Nm).

PARTS LIST / PE30X-XXX-XXX-C05 AIR SECTION

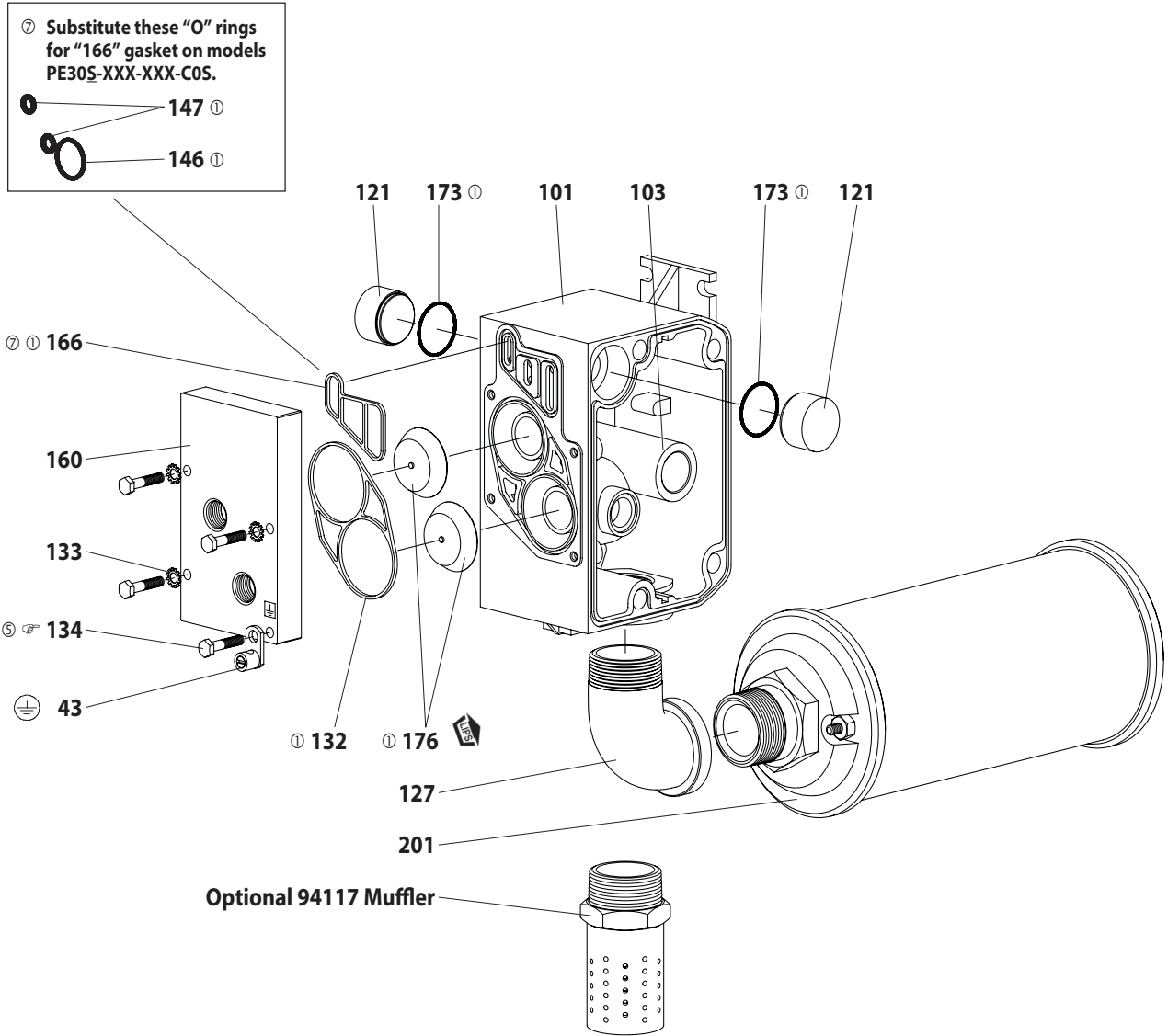


Figure 3

ASSEMBLY TORQUE REQUIREMENTS

**NOTE: DO NOT OVERTIGHTEN FASTENERS.
ALL FASTENERS ARE METRIC.
(134) Screw, 40 - 50 in. lbs (4.5 - 5.6 Nm).**

LUBRICATION / SEALANTS

- ① Apply Lubriplate FML-2 grease to all "O" rings, "U" cups and mating parts.
- ⑤ Apply anti-seize compound to threads and bolt and nut flange heads which contact pump case when using stainless steel fasteners.

TROUBLE SHOOTING

Product discharged from exhaust outlet.

- Check for diaphragm rupture.
- Check tightness of (14) diaphragm screw.

Air bubbles in product discharge.

- Check connections of suction plumbing.
- Check "O" rings between intake manifold and inlet side fluid caps.
- Check tightness of (14) diaphragm screw.

Motor blows air or stalls.

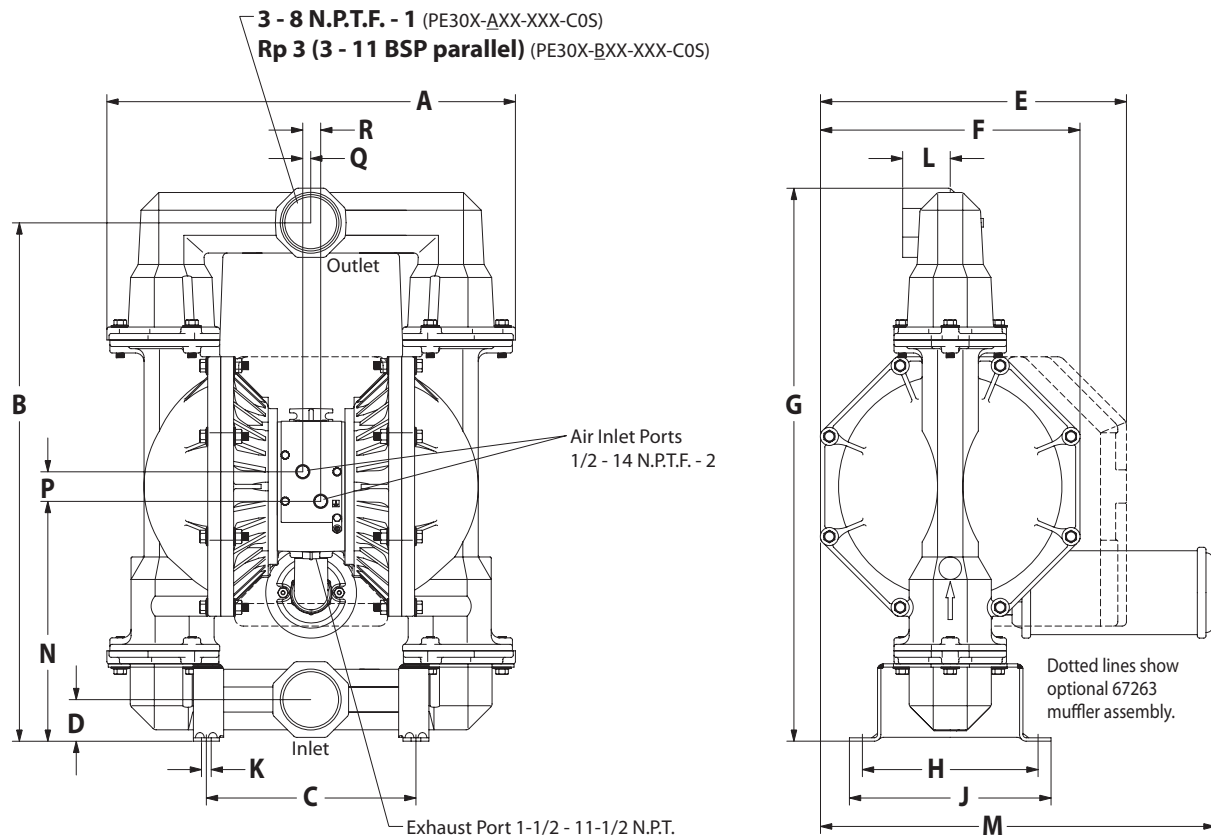
- Check (176) check valve for damage or wear.
- Check for restrictions in valve / exhaust.

Low output volume, erratic flow or no flow.

- Check air supply.
- Check for plugged outlet hose.
- Check for kinked (restrictive) outlet material hose.
- Check for kinked (restrictive) or collapsed inlet material hose.
- Check for pump cavitation - suction pipe should be sized at least as large as the inlet thread diameter of the pump for proper flow if high viscosity fluids are being pumped. Suction hose must be a non-collapsing type, capable of pulling a high volume.
- Check all joints on the inlet manifolds and suction connections. These must be air tight.
- Inspect the pump for solid objects lodged in the diaphragm chamber or the seat area.

DIMENSIONAL DATA

Dimensions shown are for reference only, they are displayed in inches and millimeters (mm).



DIMENSIONS

A - see below	E - 17-11/16" (449.2 mm)	J - see below	N - see below
B - 30" (761.7 mm)	F - 15" (381.0 mm)	K - 9/16" (14.3 mm)	P - 1-23/32" (43.4 mm)
C - 12-1/16" (306.5 mm)	G - 32" (812.5 mm)	L - 2-3/4" (69.9 mm)	Q - 33/64" (13.2 mm)
D - see below	H - 10-5/32" (258.0 mm)	M - 23-3/32" (586.3 mm)	R - 1-1/32" (26.3 mm)

	"A"	"D"	"J"	"N"
PE30X-XAX-XXX-C0S	23-5/8" (598.7 mm)	2-3/8" (60.3 mm)	11" (279.4 mm)	13-27/32" (351.5 mm)
PE30X-XCX-XXX-C0S	23-5/8" (598.7 mm)	2-7/16" (61.1 mm)	11-11/16" (296.1 mm)	13-7/8" (352.2 mm)
PE30X-XHX-XXX-C0S	23-1/8" (587.3 mm)	2-3/4" (69.9 mm)	11-11/16" (296.1 mm)	14-1/4" (361.4 mm)
PE30X-XSX-XXX-C0S	23-1/8" (587.3 mm)	2-3/4" (69.9 mm)	11-11/16" (296.1 mm)	14-1/4" (361.4 mm)

Figure 4