

# **BALDOR**® • ***RELIANCE***

## **Product Information Packet**

# **AFL3525A**

**1.5HP,3450RPM,1PH,60HZ,56,3528L,TEAO,F1**

Part Detail							
Revision:	AD	Status:	PRD/A	Change #:		Proprietary:	No
Type:	AC	Prod. Type:	3528L	Elec. Spec:	35WG0525	CD Diagram:	CD0052
Enclosure:	TEAO	Mfg Plant:		Mech. Spec:	35T954	Layout:	35LYT954
Frame:	56	Mounting:	F1	Poles:	02	Created Date:	06-22-2007
Base:	RG	Rotation:	RS	Insulation:	B	Eff. Date:	07-07-2016
Leads:	4#16 A&J,2#18 B PH,1#14 #1TH					Replaced By:	
Literature:		Elec. Diagram:					

Nameplate NP1280L										
CAT.NO.	AFL3525A									
SPEC.	35T954-0525									
HP	1.5									
VOLTS	115/230									
AMP	16.6/8.3									
RPM	3450									
FRAME	56					HZ	60		PH	1
SER.F.	1.00					CODE	H		DES	L
NEMA-NOM-EFF	70					PF	82		CL	B
RATING	40C AMB-CONT									
CC									USABLE AT 208V	8.6
DE	6205					ODE	6203			
ENCL	TEAO					SN				

Parts List		
Part Number	Description	Quantity
SA111040	SA 35T954-0525	1.000 EA
RA102419	RA 35T954-0525	1.000 EA
EC1645A06SP	ELEC CAP, 645-774 MFD, 125V, 2.06D X 4.	1.000 EA
11XT0832G06	8-32 X 3/8 TY 23 TAPPING	1.000 EA
51XW0832A07	8-32 X .44, TAPTITE II, HEX WSHR SLTD SE	2.000 EA
35EP3102A01SP	FR ENDPLATE, MACH	1.000 EA
NS2501A01	INSULATOR, CAPACITOR	1.000 EA
51XB1016A05	10-16X5/16HX WA SL SR TYB (F/S)	2.000 EA
HW5100A03SP	WAVY WASHER (W1543-017)	1.000 EA
35EP3101A02SP	STD PU ENDPLATE-ENCL-205 BRG LESS GREASE	1.000 EA
XY1032A02	10-32 HEX NUT DIRECTIONAL SERRATION	4.000 EA
WD4100A01	DP-875 HEYCO PLUG OR 62MP0875 MICRO PLAS	1.000 EA
35CB4500SP	TERMINAL BOX LID STAMPED	1.000 EA
35GS1002	GASKET,1/16 THICK LEXIDE	1.000 EA
51XW0832A07	8-32 X .44, TAPTITE II, HEX WSHR SLTD SE	2.000 EA
HW2501D13	KEY, 3/16 SQ X 1.375	1.000 EA
HA7000A04	KEY RETAINER 0.625 DIA SHAFTS	1.000 EA
85XU0407S04	4X1/4 U DRIVE PIN STAINLESS	2.000 EA
RM1001A01	GROMMET "MIDSTATES"	1.000 EA
WD1000A15	3-520132-2 AMP FLAG (4M/RL NON-CANC/NON-	2.000 EA
MJ1000A02	GREASE, POLYREX EM EXXON (USe 4824-15A)	0.050 LB
MG1025C02	WILKOFASST SG, 787.105, TAN	0.017 GA
SP5066A01	MODEL 35 TERMINAL PANEL SWITCH WITH LEAD	1.000 EA
35CB4802A02SP	CAPACITOR COVER, STAMPED X	1.000 EA

<b>Parts List (continued)</b>		
<b>Part Number</b>	<b>Description</b>	<b>Quantity</b>
35GS3001A02	GASKET, CA.COVER, 5.38 LONG .06 CS301	1.000 EA
HA3100A18	THRUBOLT 10-32 X 9.250	4.000 EA
LB1118	LABEL,WARNING (ROLL LABEL)	1.000 EA
LC0052	CONNECTION LABEL	1.000 EA
NP1280L	ALUM FARM DUTY UL CSA CC THERMAL	1.000 EA
35PA1005	PKG GRP, BLANK PK1012	1.000 EA

<b>Accessories</b>		
<b>Part Number</b>	<b>Description</b>	<b>Multiplier</b>
35-8762	C FACE KIT	A8
35EP1506A01SP	D-FLANGE KIT	A8

**AC Induction Motor Performance Data**  
Record # 8080 - Typical performance - not guaranteed values

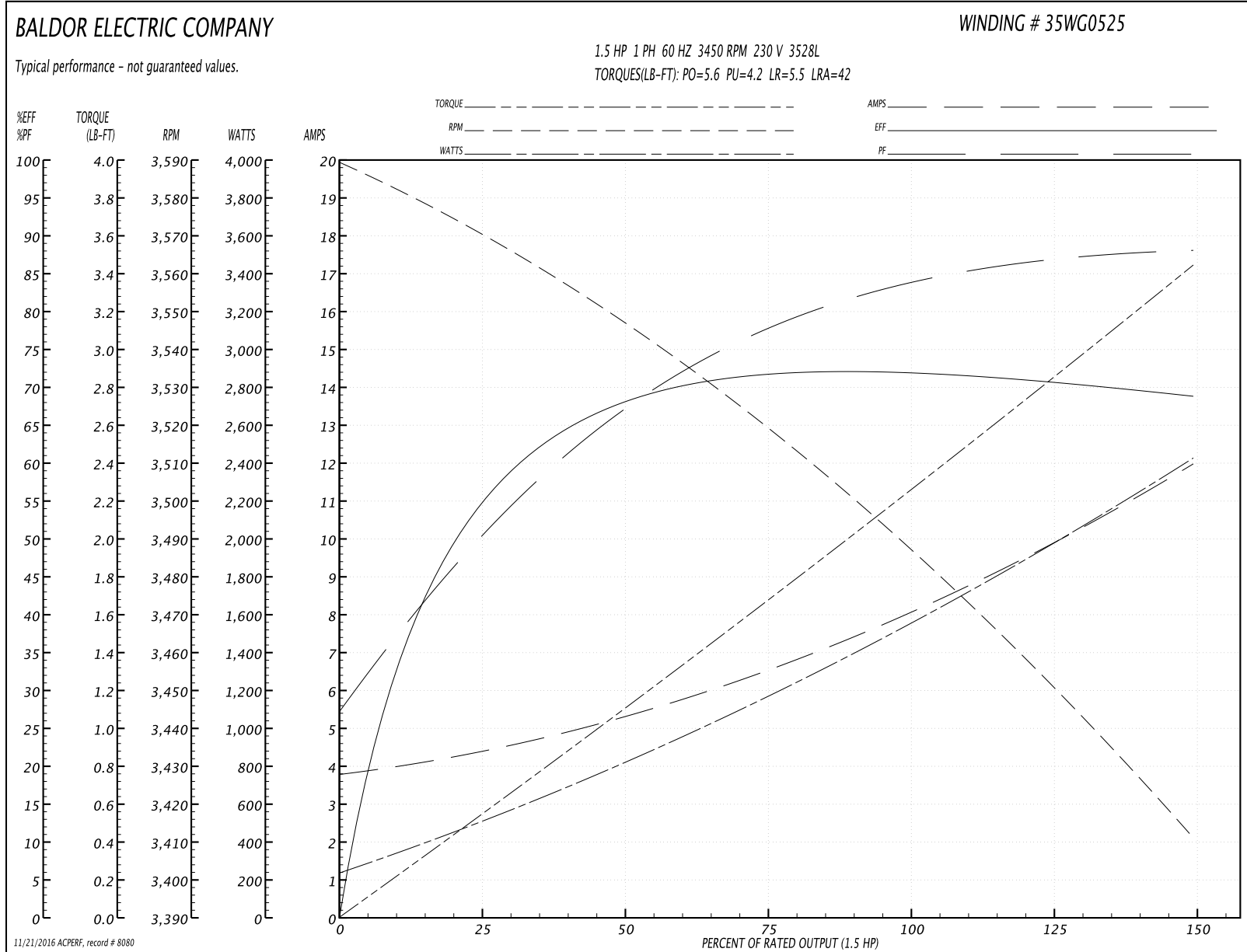
<b>Winding:</b> 35WG0525-R001	<b>Type:</b> 3528L	<b>Enclosure:</b> TEFC
-------------------------------	--------------------	------------------------

Nameplate Data				230 V, 60 Hz: High Voltage Connection	
Rated Output (HP)	1.5			Full Load Torque	2.3 LB-FT
Volts	115/230			Start Configuration	direct on line
Full Load Amps	16.6/8.3			Breakdown Torque	5.6 LB-FT
R.P.M.	3450			Pull-up Torque	4.2 LB-FT
Hz	60	Phase	1	Locked-rotor Torque	5.5 LB-FT
NEMA Design Code	L	KVA Code	H	Starting Current	42 A
Service Factor (S.F.)	1			No-load Current	3.8 A
NEMA Nom. Eff.	70	Power Factor	82	Line-line Res. @ 25°C	1.26 Ω A Ph 1.23 Ω B Ph
Rating - Duty	40C AMB-CONT			Temp. Rise @ Rated Load	70°C

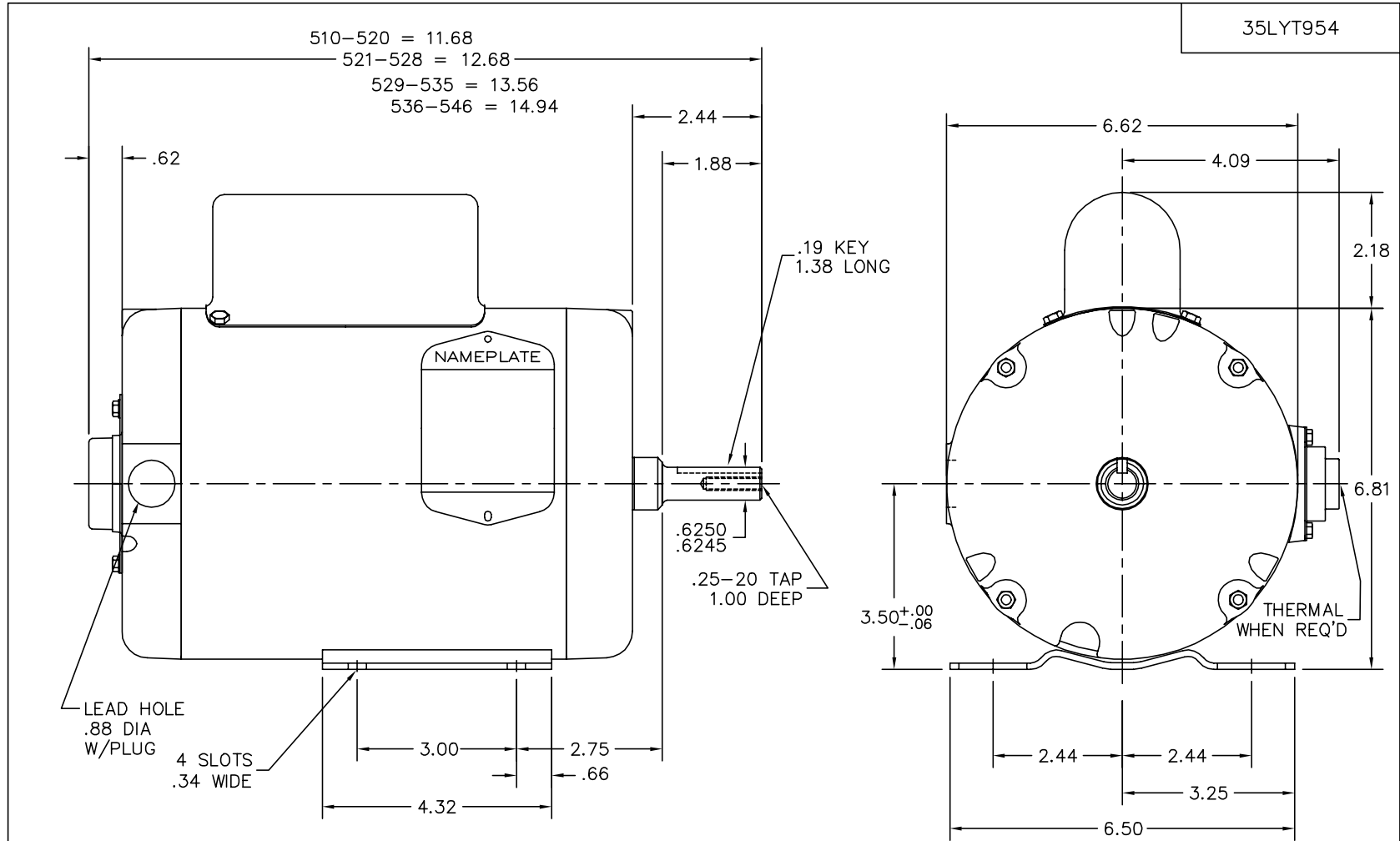
Load Characteristics 230 V, 60 Hz, 1.5 HP

% of Rated Load	25	50	75	100	125	150
Power Factor	52	69	78	84	87	88
Efficiency	54.9	67.7	71.6	72.4	71.2	68.4
Speed	3568	3543	3518	3485	3452	3409
Line amperes	4.4	5.4	6.6	8.3	9.9	12

Performance Graph at 230V, 60Hz, 1.5HP Typical performance - Not guaranteed values







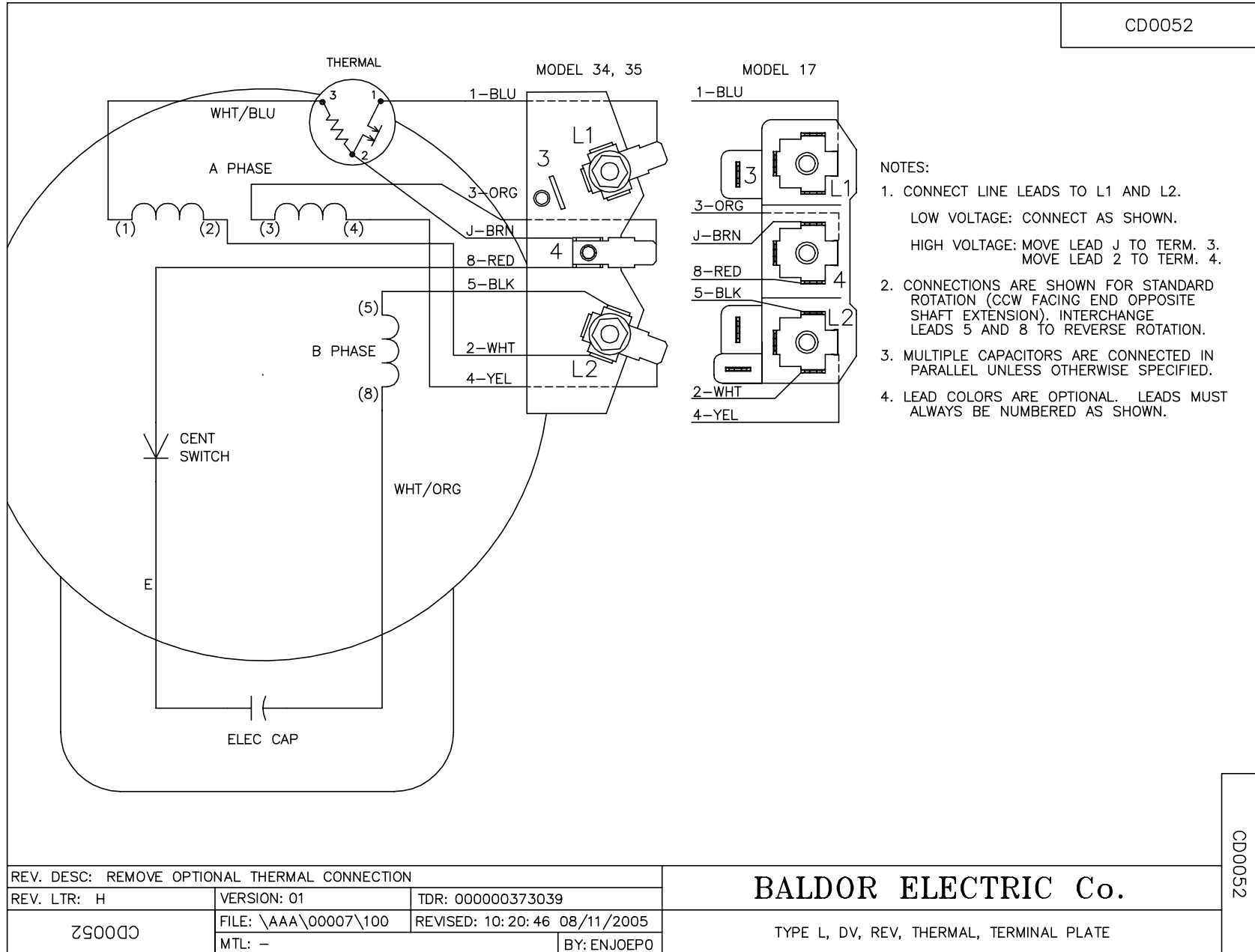
AERATION FAN MOTOR

CUSTOMER IS RESPONSIBLE FOR DETERMINING THAT MOTOR PERFORMANCE IS SUITABLE IN THE APPLICATION.

REV. DESC: ADDED THERMAL GRAPHICS			<b>BALDOR ELECTRIC Co.</b>
REV. LTR: A	VERSION: 01	TDR: 000000414007	
35LYT954	FILE: \AAA\00111\278	REVISED: 16:44:09 11/08/2006	HORZ 56 TEAO 35L TERM PANEL W/ .25-20 TAP IN SHAFT (2 POLE)
	MTL: -	BY: ENBRAMO	

35LYT954

CD0052



CD0052

REV. DESC: REMOVE OPTIONAL THERMAL CONNECTION		
REV. LTR: H	VERSION: 01	TDR: 000000373039
Z90052	FILE: \AAA\00007\100	REVISED: 10:20:46 08/11/2005
	MTL: -	BY: ENJOEPO

**BALDOR ELECTRIC Co.**

TYPE L, DV, REV, THERMAL, TERMINAL PLATE