

BALDOR® • RELIANCE

Product Information Packet

BL3518

.5HP,1725RPM,1PH,60HZ,56,BRAKE,3421L

Part Detail							
Revision:	AF	Status:	PRD/A	Change #:		Proprietary:	No
Type:	AC	Prod. Type:	3421L	Elec. Spec:	34WG5422	CD Diagram:	CD0001
Enclosure:	TEFC	Mfg Plant:		Mech. Spec:	34K026	Layout:	34LYK026
Frame:	56	Mounting:	F1	Poles:	04	Created Date:	
Base:	RG	Rotation:	R	Insulation:	B	Eff. Date:	12-01-2015
Leads:	6#18					Replaced By:	
Literature:		Elec. Diagram:					

Nameplate NP1256L												
CAT.NO.	BL3518											
SPEC.	34K26-5422-B											
HP	.5											
VOLTS	115/230											
AMP	7.4/3.7											
RPM	1725											
FRAME	56					HZ	60			PH	1	
SER.F.	1.25					CODE	J		DES	N	CLASS	B
NEMA-NOM-EFF	68					PF	66					
RATING	40C AMB-CONT											
CC									USABLE AT 208V	4.3		
DE	6203					ODE	6203					
ENCL	TEFC					SN						
	SFA 8.2/4.1											

Parts List		
Part Number	Description	Quantity
SA008124	SA 34K26-5422-B	1.000 EA
RA004571	RA 34K26-5422-B	1.000 EA
EC1270A02SP	ELEC CAP, 270-324 MFD, 125V, 1.48D X 3.	1.000 EA
NS2512A01	INSULATOR, CONDUIT BOX X	1.000 EA
34CB3002A	CB CAST W/.88 DIA HOLE	1.000 EA
34GS1029A01	GASKET, CONDUIT BOX	1.000 EA
51XB1016A07	10-16 X 7/16 HXWSSLD SERTYB	2.000 EA
11XW1032G06	10-32 X .38, TAPTITE II, HEX WSHR SLTD U	1.000 EA
34EP3900T09	FR ENDPLATE, MACH	1.000 EA
HA2001A01	SPACER, .218 ID X .250 LG	2.000 EA
11XT0832A12	8-32 X 3/4 HX WSHD SLTD, TY23	2.000 EA
NS2500A01	INSULATOR, AUTO THER PROT	1.000 EA
34CB4800SP	CAPACITOR COVER, STAMPED PRIMED	1.000 EA
34GS3000SP	GASKET, CAPACITOR BOX	1.000 EA
51XB1016A05	10-16X5/16HX WA SL SR TYB (F/S)	2.000 EA
WD1000A03	41531 AMP FLG.TERM,4M/REEL(2.5MIL)	1.000 EA
HW5100A03SP	WAVY WASHER (W1543-017)	1.000 EA
34EP3102A02SP	FR/PU ENDPLATE, MACH	1.000 EA
XY1032A02	10-32 HEX NUT DIRECTIONAL SERRATION	4.000 EA
HW2500A13	KEY, USA #605, WOODRUFF	1.000 EA
18XN2520A08	1/4-20X1/2 FLAT HD SLTD X	2.000 EA
34FN3002A03	EXTERNAL FAN, PLASTIC, .500 HUB I.D. W/5	1.000 EA
34FH4002A05	IEC FH W/DEEPER DIMPLES FOR BRAKE COVER,	1.000 EA
51XB1016A06	10-16X3/8 HXWSSLD SERTYB	3.000 EA

Parts List (continued)		
Part Number	Description	Quantity
34CB4517	CB LID 4 MTG HOLES .22 DIA STAMPED, FOR	1.000 EA
34GS1031A01	GASKET, FLAT CONDUIT BOX LID (LEXIDE)	1.000 EA
51XW0832A07	8-32 X .44, TAPTITE II, HEX WSHR SLTD SE	4.000 EA
HW2501D13	KEY, 3/16 SQ X 1.375	1.000 EA
HA7000A04	KEY RETAINER 0.625 DIA SHAFTS	1.000 EA
MG1000G27	MED CHARCOAL METALLIC GREY 400-0096	0.014 GA
10XF0440S02	04-40 X 1/8 TYPE F HEX HD STAINLESS STIC	2.000 EA
LB1185	LABEL,BRAKE CONNECTION (ON ROLLS)	1.000 EA
WD4006C05	ORANGE, WIRENUT, G-B #13-003 ORGSIZE 73B	2.000 EA
SP5051B16	MDL 34 TORQ STAT SW,TYPE L , STD F1 & F2	1.000 EA
HA3100A44	THRUBOLT 10-32 X 8.000	4.000 EA
48BK6101BP-D	BRAKE, DRILL FOR COVER	1.000 EA
LC0001A01	CONN LABEL / WARNING LABEL (LC0001 / LB1	1.000 EA
NP1256L	ALUM UL CSA CC	1.000 EA
27PA1001	PKG GRP, PRINT PK1027A06	1.000 EA

AC Induction Motor Performance Data
Record # 6767 - Typical performance - not guaranteed values

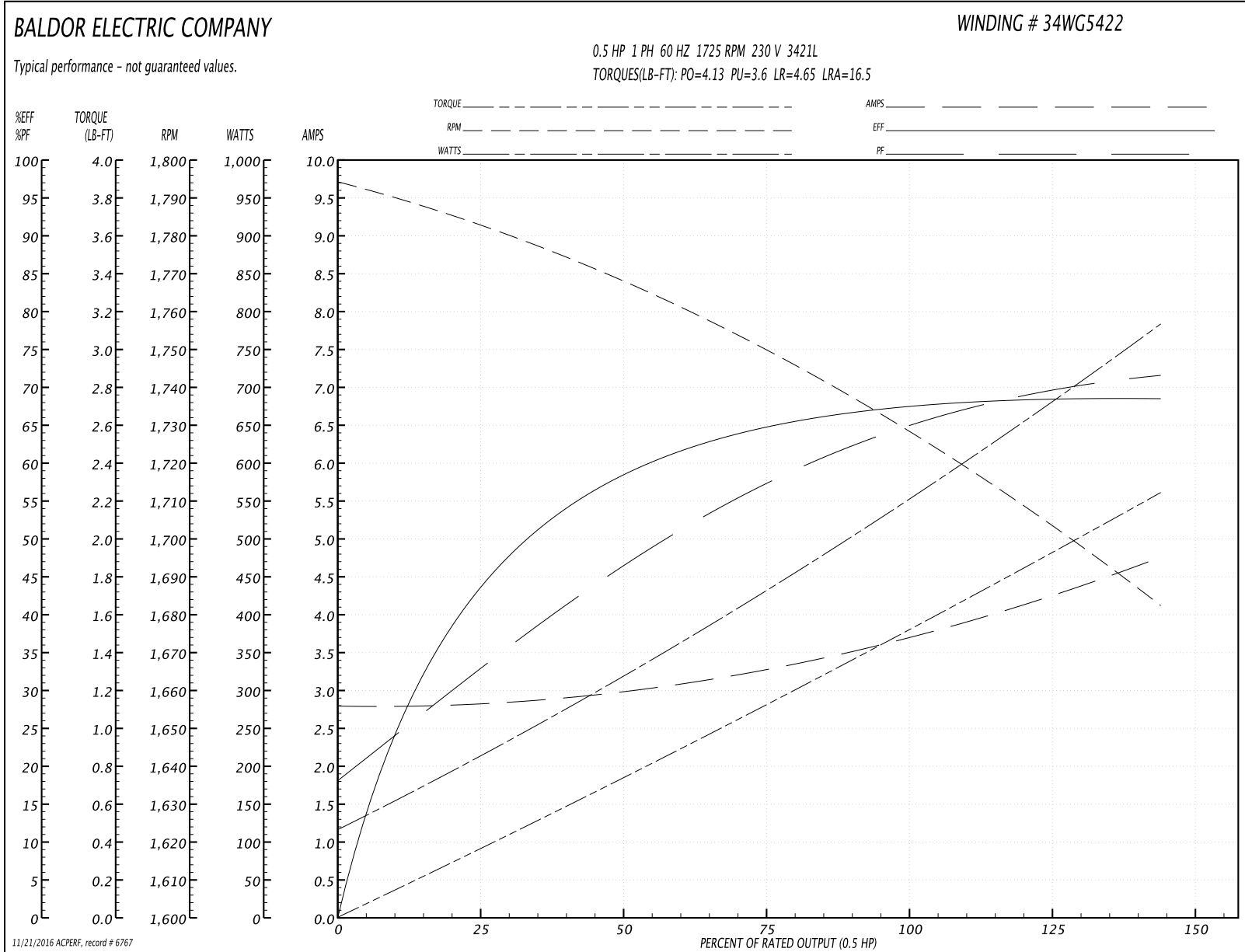
Winding: 34WG5422-R001	Type: 3421L	Enclosure: TEFC
-------------------------------	--------------------	------------------------

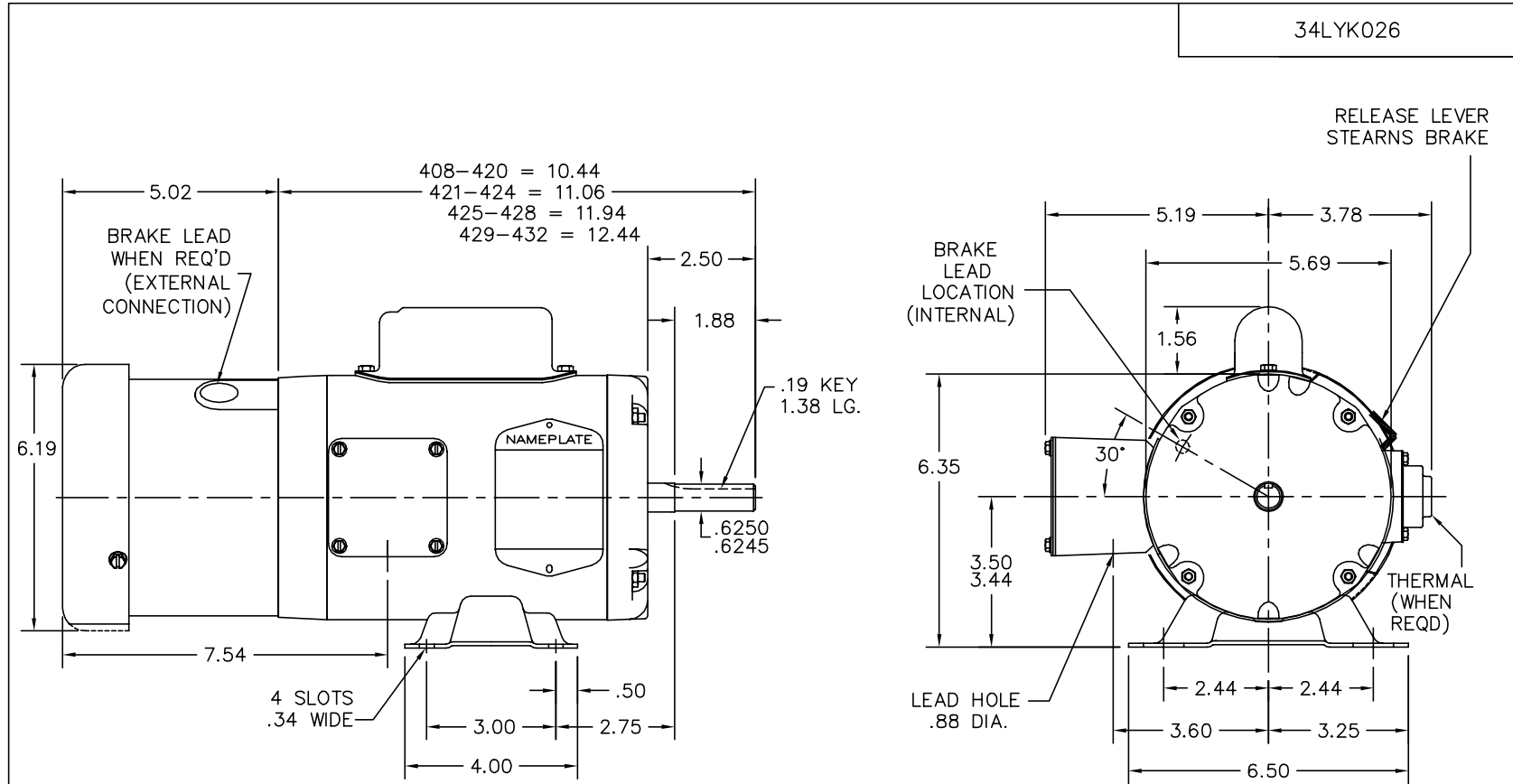
Nameplate Data				230 V, 60 Hz: High Voltage Connection	
Rated Output (HP)	.5			Full Load Torque	1.5 LB-FT
Volts	115/230			Start Configuration	direct on line
Full Load Amps	7.4/3.7			Breakdown Torque	4.13 LB-FT
R.P.M.	1725			Pull-up Torque	3.6 LB-FT
Hz	60	Phase	1	Locked-rotor Torque	4.65 LB-FT
NEMA Design Code	N	KVA Code	J	Starting Current	16.5 A
Service Factor (S.F.)	1.25			No-load Current	2.8 A
NEMA Nom. Eff.	68	Power Factor	66	Line-line Res. @ 25°C	4.44 Ω A Ph 3.19 Ω B Ph
Rating - Duty	40C AMB-CONT			Temp. Rise @ Rated Load	63°C
S.F. Amps	8.2/4.1			Temp. Rise @ S.F. Load	77°C

Load Characteristics 230 V, 60 Hz, 0.5 HP

% of Rated Load	25	50	75	100	125	150	S.F.
Power Factor	32	46	59	66	72	80	72
Efficiency	42	58	65	68	69	68	69
Speed	1783	1765	1750	1730	1710	1680	1710
Line amperes	2.8	3	3.3	3.7	4.1	4.8	4.1

Performance Graph at 230V, 60Hz, 0.5HP Typical performance - Not guaranteed values





CUSTOMER IS RESPONSIBLE FOR DETERMINING THAT BALDOR'S PRODUCT WILL PERFORM SUITABLY IN THE INTENDED APPLICATION.

REV. DESC: CHANGED SHAFT FOR EXT. FAN CHANGE

REV. LTR: F

VERSION: 02

TDR: 000000484780

FILE: \AAA\00027\168

REVISED: 10:00:47 12/16/2008

MTL: -

BY: ENJERWO

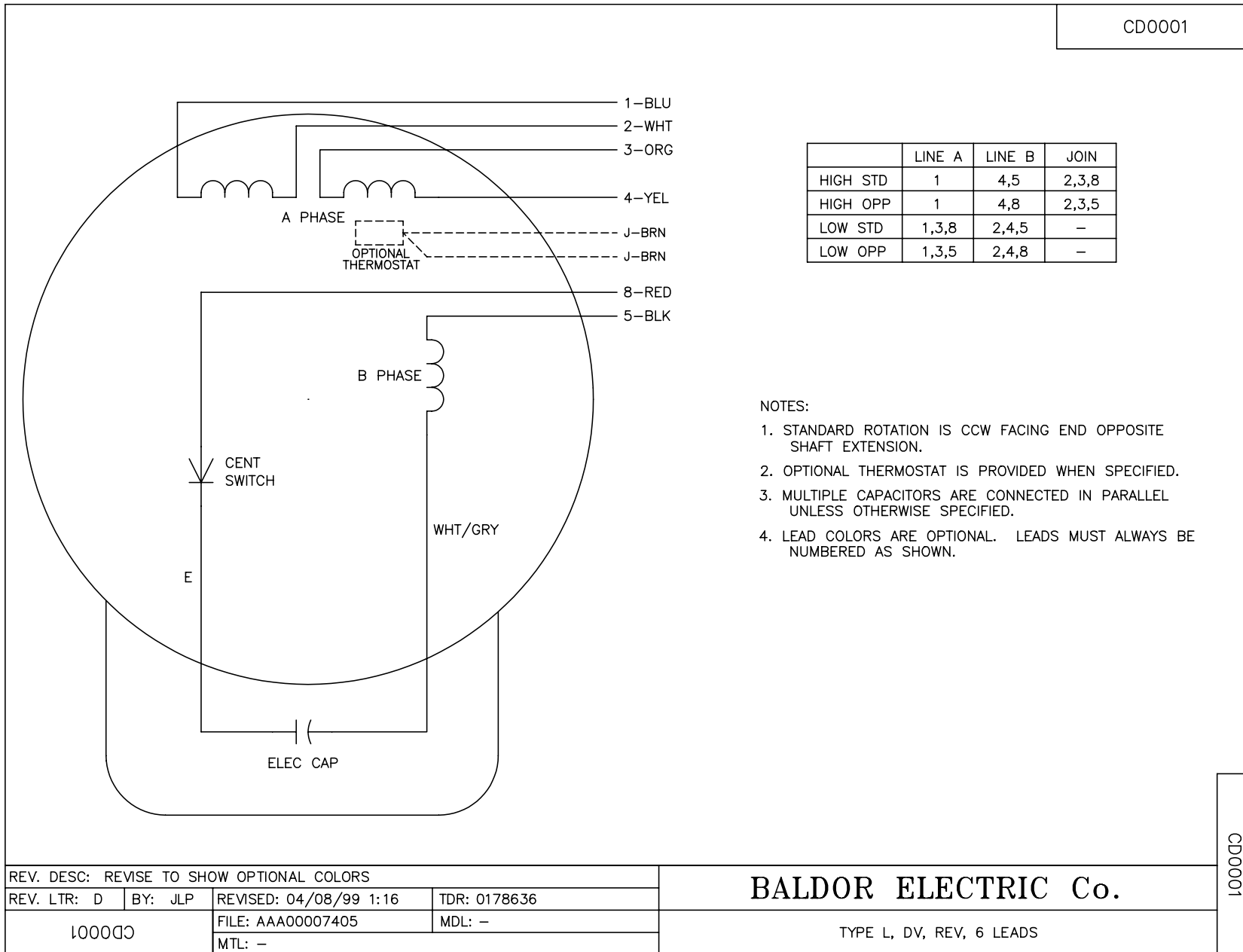
BALDOR • DODGE • RELIANCE

STD HORZ MODEL 34L NEMA 56 TEFC W/BRAKE

SH 1 of 1

34LYK026

CD0001



REV. DESC: REVISE TO SHOW OPTIONAL COLORS			
REV. LTR: D	BY: JLP	REVISED: 04/08/99 1:16	TDR: 0178636
100000		FILE: AAA00007405	MDL: -
		MTL: -	

BALDOR ELECTRIC Co.

TYPE L, DV, REV, 6 LEADS

CD0001