

BALDOR® • RELIANCE

Product Information Packet

CDP3440-V24

.75HP, 1800RPM, DC, 56C, 3424P, TEFC, F1

Part Detail							
Revision:	G	Status:	PRD/A	Change #:		Proprietary:	No
Type:	DC	Prod. Type:		Elec. Spec:	34WGZ611	CD Diagram:	CD0194
Enclosure:	TEFC	Mfg Plant:		Mech. Spec:	34-6893	Layout:	34LY6893
Frame:	56CZ	Mounting:	F1	Poles:	///	Created Date:	
Base:	RG	Rotation:	R	Insulation:	H	Eff. Date:	04-19-2016
Field Type:		Literature:		Elec. Diagram:		Replaced By:	

Nameplate NP0111L			
CAT.NO.	CDP3440-V24		
SPEC.	34-6893Z611		
HP	.75	ENCL	TEFC
RPM	1800		
FRAME	56CZ	TYPE	3424P
ARM V	24	ARM A	29.4
FLD V		FLD A	
INSUL	H	AMB.	40
DUTY	CONT	SUPPLY	A
BRG/DE	6203	BRG/ODE	6203
BRUSHES	2/BP5104BV01		
SER.		BLANK	
BLANK	---		
APRV-CSA	<input type="checkbox"/>	APRV-UL	<input type="checkbox"/>

Parts List		
Part Number	Description	Quantity
SA114012	SA 34-6893Z611	1.000 EA
AA010207	AA 34-6893Z611	1.000 EA
BP5104BV01	CARBON BRUSH - 12 DC - MZ65	2.000 EA
BP5100	SPRING PRESSURE BRACKET ASSY	2.000 EA
51XF1032A08	10/32X1/2 HXWSHR HD, SL, TYPE F ,SERATED	4.000 EA
11XW1032G06	10-32 X .38, TAPTITE II, HEX WSHR SLTD U	1.000 EA
HW3001B01	BRASS CUP WASHER, FOR #8 SCREW	1.000 EA
34EP3114A01	FR EP, MACH MODEL 34 TEFC W/EXT T-BOLTS	1.000 EA
HW5100A03SP	WAVY WASHER (W1543-017)	1.000 EA
34CB4519	BRUSH INSPECTION COVER	2.000 EA
34GS1022	GASKET, BRUSH COVER LID, NEOPRENE NON CO	2.000 EA
51XW0832A07	8-32 X .44, TAPTITE II, HEX WSHR SLTD SE	4.000 EA
34EP3300A66	PU ENDPLATE, MACH W/INTERNAL RABBET	1.000 EA
51XN1032A20	10-32 X 1 1/4 HX WS SL SR	2.000 EA
34FN3002A01SP	EXTERNAL FAN, PLASTIC, .637/.639 HUB W/	1.000 EA
34FH5002A09	FAN COVER ASSY W/SHAFT COVER, ROTATED DI	1.000 EA
51XW1032A06	10-32 X .38, TAPTITE II, HEX WSHR SLTD S	3.000 EA
34CB4518	CONDUIT BOX LID, STAMPED F/34P	1.000 EA
34GS1027	GASKET, 34P KOBX LID, CS-301 LEXIDE	1.000 EA
51XW0832A07	8-32 X .44, TAPTITE II, HEX WSHR SLTD SE	4.000 EA
HW2501D13	KEY, 3/16 SQ X 1.375	1.000 EA
HA7000A04	KEY RETAINER 0.625 DIA SHAFTS	1.000 EA
34RK5006	ROCKERARM ASSEMBLY MODEL 34 PM	1.000 EA
WD4102A65	HEYCO #2827 (B 625-500) SHORTY BUSHING	1.000 EA

Parts List (continued)		
Part Number	Description	Quantity
MG1000G27	MED CHARCOAL METALLIC GREY 400-0096	0.014 GA
10XF0440S02	04-40 X 1/8 TYPE F HEX HD STAINLESS STIC	2.000 EA
WD1000A50	TERM, AMP #4-520447-2	2.000 EA
HA3100A48	THRUBOLT 10-32 X 7.188	4.000 EA
MN416A01	TAG-INSTAL-MAINT no wire (1200/bx) 11/14	1.000 EA
LB1119N	WARNING LABEL	1.000 EA
LC0194	CONNECTION LABEL	1.000 EA
NP0111L	NP STD LASER ENGRAVED DC MOTORS, UL CSA	1.000 EA
27PA1001	PKG GRP, PRINT PK1027A06	1.000 EA

DC Motor Performance Data

Record # 499 - Typical performance - not guaranteed values

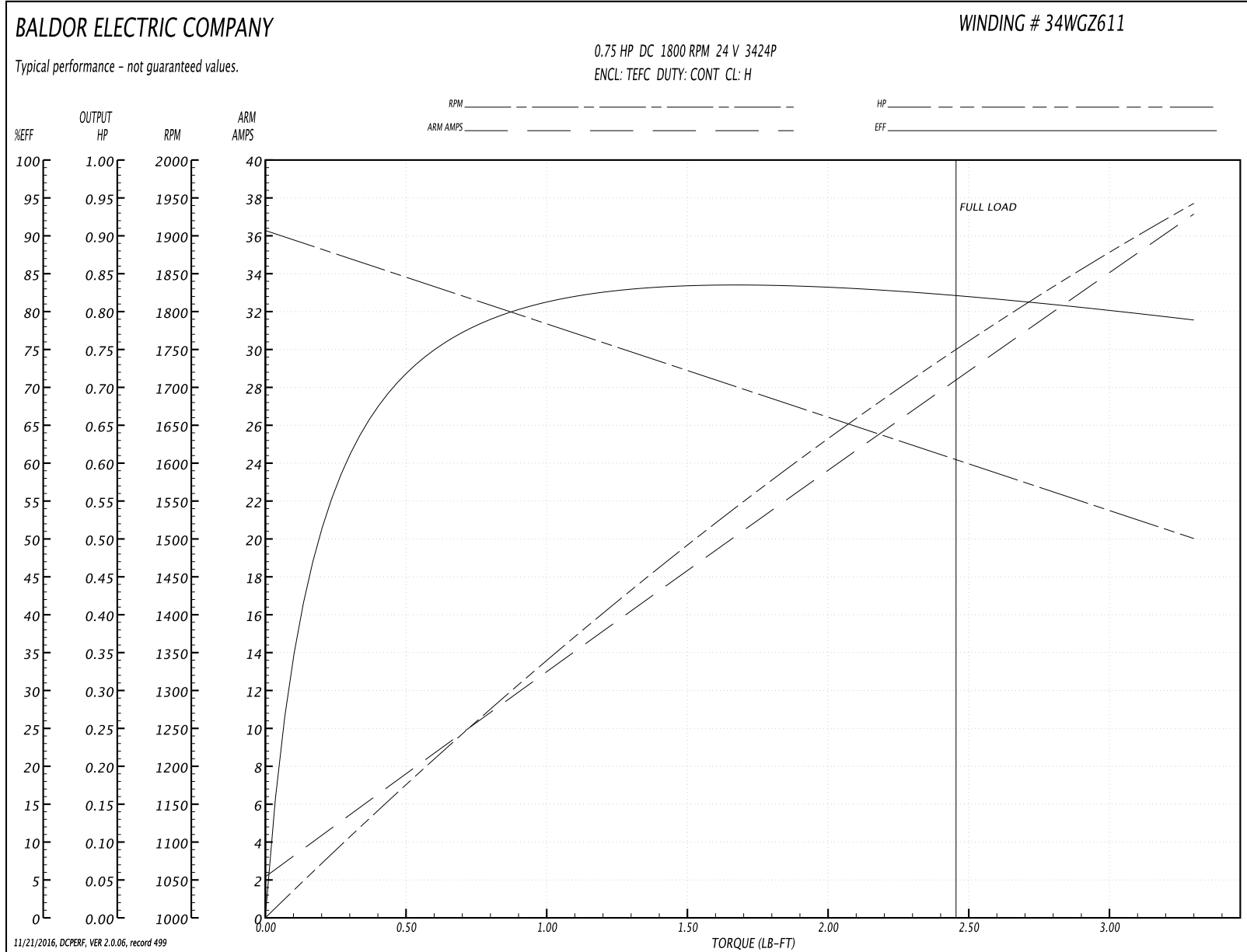
Winding: 34WGZ611-R001	Type: 3424P	Enclosure: TEFC
-------------------------------	--------------------	------------------------

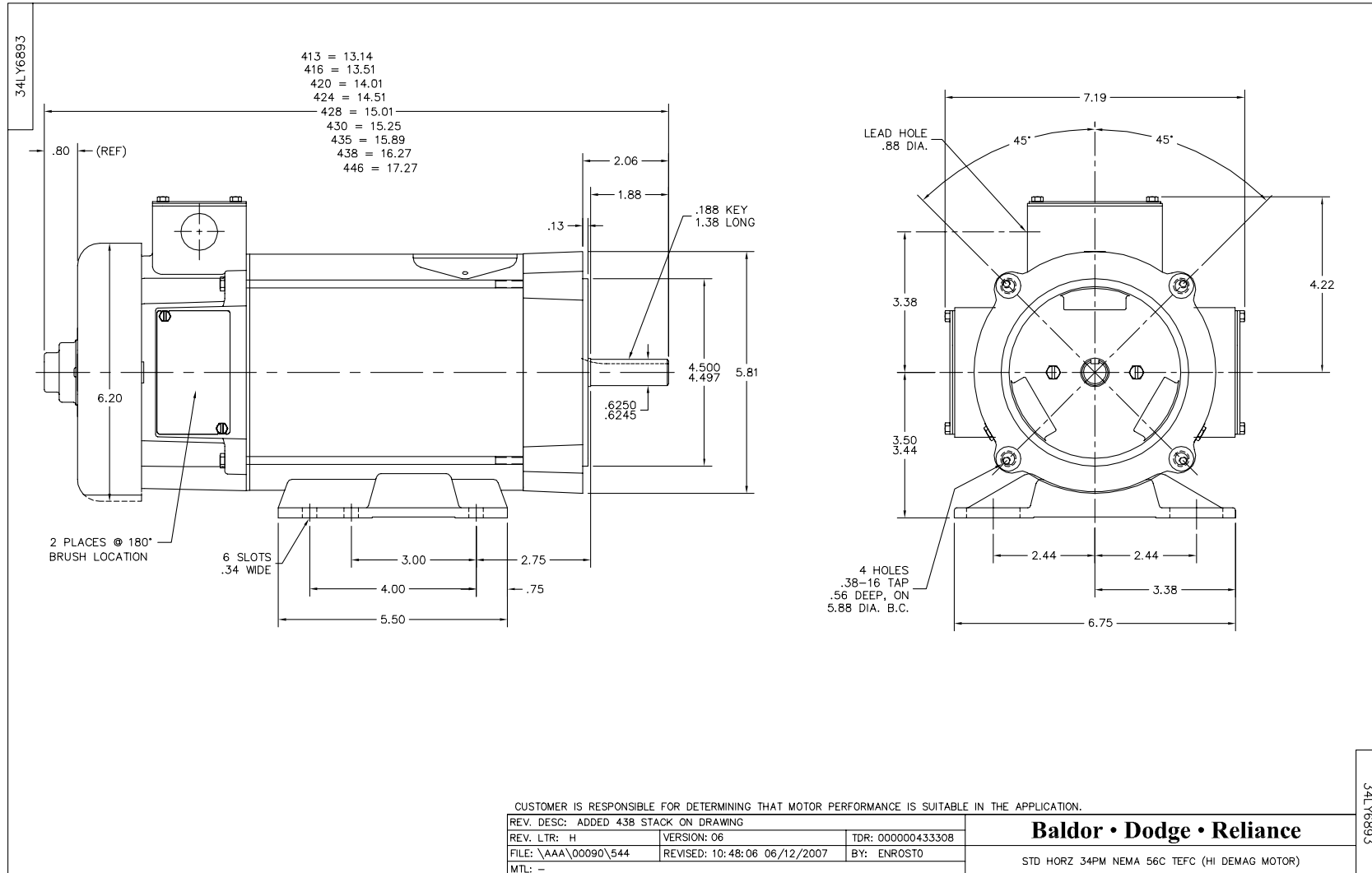
Nameplate Data		General Characteristics	
Rated Output (HP)	0.75	Armature Resistance @ 25°C	0.0933 Ω
R.P.M.	1800		
Armature Volts	24	Voltage Constant	12.46 v/krpm
Armature Amps	29.4		
Field Volts		Armature Inductance	0.7493 mH
Field Amps		Armature Inertia	8.2643 LI ²
Rating - Duty	40C AMB-CONT		
Power Supply Code	A		
		Temp. Rise @ Rated Load	103°C

Load Characteristics at 24 Armature Volts

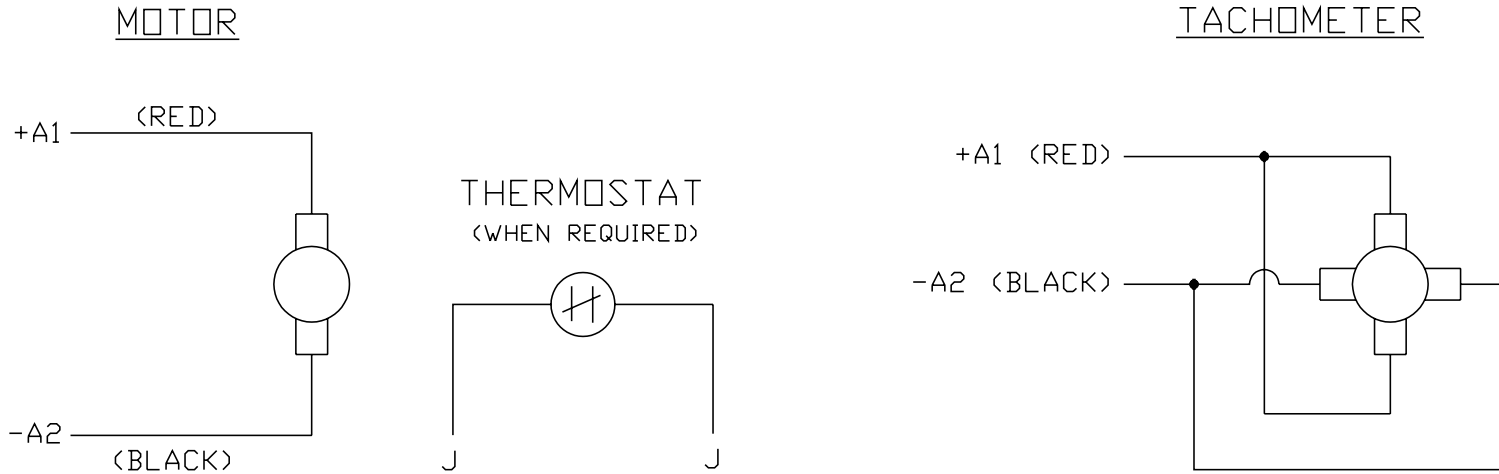
Load Point	1	2	3	4	5	6	7
Armature Amps	2.28	8.05	14.05	19.8	25.8	31.68	37
R.P.M.	1900	1843	1772	1709	1635	1574	1493
Torque (LB-FT)	0	0.55	1.1	1.65	2.2	2.75	3.3

Performance Graph at 24.0 Arm V, 0.75HP Typical performance - Not guaranteed values





CD0194



NOTES:

1. CCW ROTATION AS SHOWN FACING COMMUTATOR END. TO REVERSE MOTOR ROTATION OR TACHOMETER OUTPUT POLARITY INTERCHANGE LEADS A1(RED) & A2(BLACK)
2. LEAD COLORS FOR REFERENCE ONLY & NOT SPECIFIED BY THIS DRAWING. LEAD COLORS SPECIFIED BY LAYOUT DRAWING & BILL OF MATERIAL ONLY.

MATL: -			
REV:	E	ADDED NOTE "LEAD COLORS FOR REFERENCE ONLY &..."	
#61000		SCALE: -	BY: CK
CD0194		REVISD: 07/28/95	TDR: 0078737
		FILE: AAA00004503	

BALDOR ELECTRIC Co.

CD TYPE P DC PERMANENT MAGNET MOTORS AND TACHOMETERS

CD0194