

# **BALDOR® • RELIANCE**

## **Product Information Packet**

# **CDP3603**

**3HP, 1750RPM, DC, 184TC, 3649P, TEFC, F1**

Part Detail							
Revision:	S	Status:	PRD/A	Change #:		Proprietary:	No
Type:	DC	Prod. Type:		Elec. Spec:	36WGZ507	CD Diagram:	CD0194
Enclosure:	TEFC	Mfg Plant:		Mech. Spec:	36P181	Layout:	36LYP181
Frame:	184TC	Mounting:	F1	Poles:	///	Created Date:	
Base:	RG	Rotation:	R	Insulation:	F	Eff. Date:	08-17-2015
Field Type:		Literature:		Elec. Diagram:		Replaced By:	

Nameplate NP0891L			
CAT.NO.	CDP3603		
SPEC.	36P181Z507		
HP	3	ENCL	TEFC
RPM	1750		
FRAME	184TC	TYPE	3649P
ARM V	180	ARM A	14
FLD V		FLD A	
INSUL	F	AMB.	40
DUTY	CONT	SUPPLY	K
BRG/DE	6206	BRG/ODE	6206
BRUSHES	2/BP5031A01		
		BLANK	IP44
SER.			
BLANK			
APRV-CE	<input type="checkbox"/> Y	APRV-CSA	<input type="checkbox"/> Y
		APRV-UL	<input type="checkbox"/> Y

Parts List		
Part Number	Description	Quantity
SA100585	SA 36P181Z507	1.000 EA
AA009214	AA 36P181Z507	1.000 EA
HW3201A05	3/8-16 EYEBOLT	1.000 EA
19XM3118A08	5/16-18X1/2 HX HD ROLL FM#93882A578 MCMA	4.000 EA
36CB3000SP	CONDUIT BOX, CAST	1.000 EA
36GS1000	GASKET-CONDUIT BOX, .06 THICK #SV-330 LE	1.000 EA
51XB1016A07	10-16 X 7/16 HXWSSLD SERTYB	2.000 EA
11XW1032G06	10-32 X .38, TAPTITE II, HEX WSHR SLTD U	1.000 EA
HW3001B02	BRASS CUP WASHER W/GROUND SYMBOL TAB,	1.000 EA
36EP3402A03	SPL FR. E.P. MACH'G 36PM FOR (681P) STAC	1.000 EA
26XW1032A08	10-32 X 1/2 PHILLIPS HEAD TAPTITE-II (SI	4.000 EA
HW5100A06	W2420-025 WVY WSHR (WB)	1.000 EA
36EP3302A01	STD PU ENDPLATE #206 BRG 182TC-184TC 36P	1.000 EA
10XN2520A28	1/4-20X 1 3/4 HEX HD	4.000 EA
HW1001A25	LOCKWASHER 1/4, ZINC PLT .493 OD, .255 I	4.000 EA
36FN3000A01SP	EXFN, PLASTIC, 7.00 OD, .912 ID	1.000 EA
51XB1214A16	12-14X1.00 HXWSSLD SERTYB	1.000 EA
36FH5000A11	FAN COVER/TACH. ACC. ASSY.08 45823107	1.000 EA
51XW1032A06	10-32 X .38, TAPTITE II, HEX WSHR SLTD S	3.000 EA
35CB4514	35 LIPPED CB LID	1.000 EA
36GS1001A08	GASKET - CONDUIT BOX LID 36 FRAME	1.000 EA
51XW0832A07	8-32 X .44, TAPTITE II, HEX WSHR SLTD SE	4.000 EA
36CB4500SP	CONDUIT BOX LID, STAMPED	2.000 EA
36GS1001A08	GASKET - CONDUIT BOX LID 36 FRAME	2.000 EA

<b>Parts List (continued)</b>		
<b>Part Number</b>	<b>Description</b>	<b>Quantity</b>
51XW0832A07	8-32 X .44, TAPTITE II, HEX WSHR SLTD SE	8.000 EA
HW2501E16	3KEY, 1/4 SQ X 1.750	1.000 EA
HA7000A02	KEY RETAINER RING, 1 1/8 DIA, 1 3/8 DIA	1.000 EA
LB1115N	LABEL,LIFTING DEVICE (ON ROLLS)	1.000 EA
MG1000G27	MED CHARCOAL METALLIC GREY 400-0096	0.019 GA
85XU0409A04	4X1/4 U DRIVE PIN/85xu0407a04	2.000 EA
NP0891L	NP STD LASER ENGRAVED DC MTRS, UL CSA CE	1.000 EA
MN416A01	TAG-INSTAL-MAINT no wire (1200/bx) 11/14	1.000 EA
MG5010A01	TRICKLE VARNISH (PEDIGREE 600 S)	0.005 GA
MG5010Z01	488 (TPB) CATALYST	0.001 LB
36RK5009A01	ROCKERARM ASSY, GRADE E45	1.000 EA
WD1000D04	T&B C26M,NON-INS RING, 12-10 GA, #10 BOL	2.000 EA
HA3101A42	THRUBOLT 1/4-20 X 11.500 DEMBY	4.000 EA
LC0194	CONNECTION LABEL	1.000 EA
LB1417	LABEL CARTON 6X4 PERFORATED BLANK ROLLS	1.000 EA
LB1119N	WARNING LABEL	1.000 EA
37PA1016	PKG GRP, PRINT PK1035A06	1.000 EA

<b>Accessories</b>		
<b>Part Number</b>	<b>Description</b>	<b>Multiplier</b>
TK3600PM	TACHO MOUNTING KIT FOR TK3600PM	A8

**DC Motor Performance Data**

Record # 311 - Typical performance - not guaranteed values

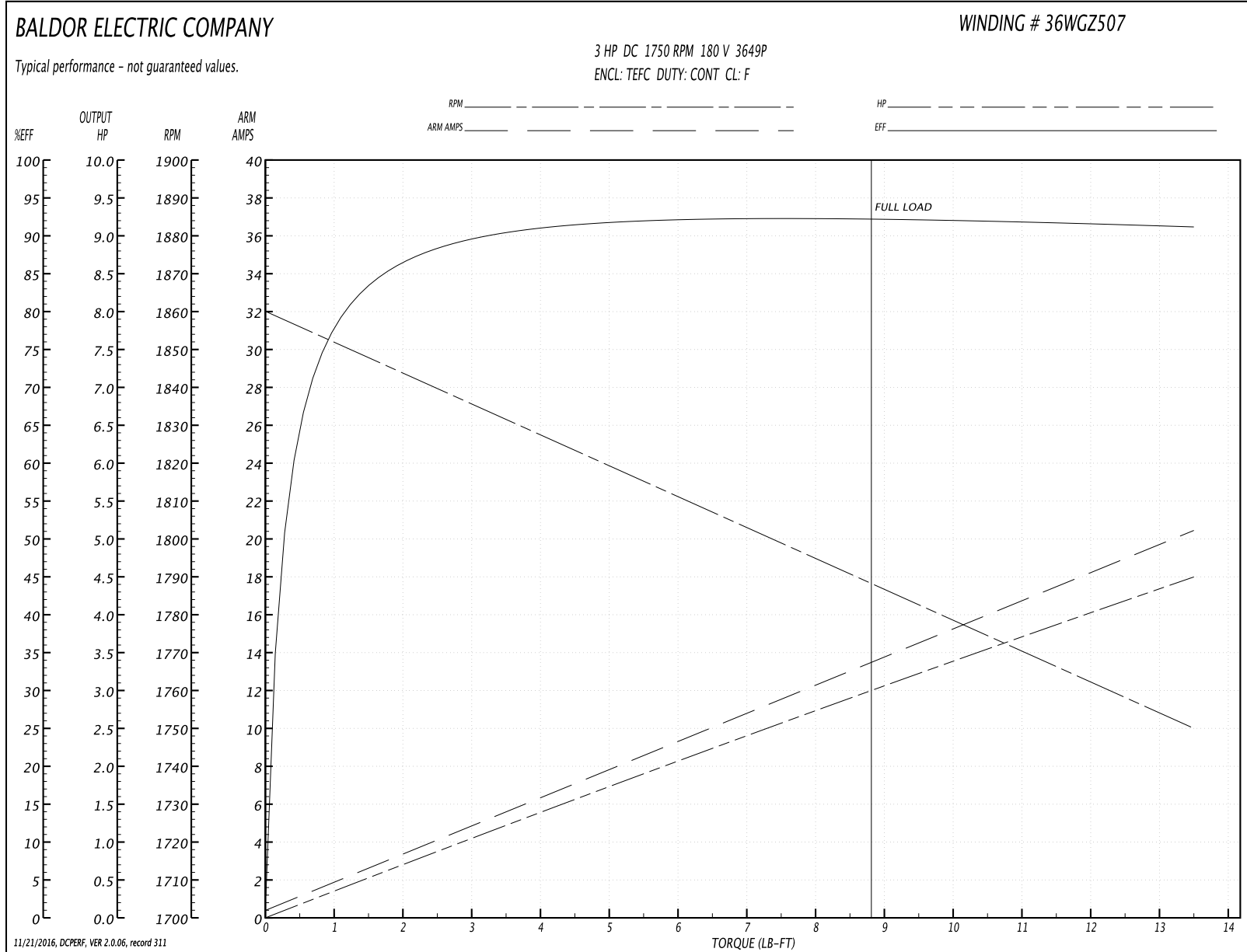
<b>Winding:</b> 36WGZ507-R001	<b>Type:</b> 3649P	<b>Enclosure:</b> TEFC
-------------------------------	--------------------	------------------------

Nameplate Data		General Characteristics	
Rated Output (HP)	3	Armature Resistance @ 25°C	0.3209 Ω
R.P.M.	1750		
Armature Volts	180		
Armature Amps	14		
Field Volts			
Field Amps			
Rating - Duty	40C AMB-CONT		
Power Supply Code	K		

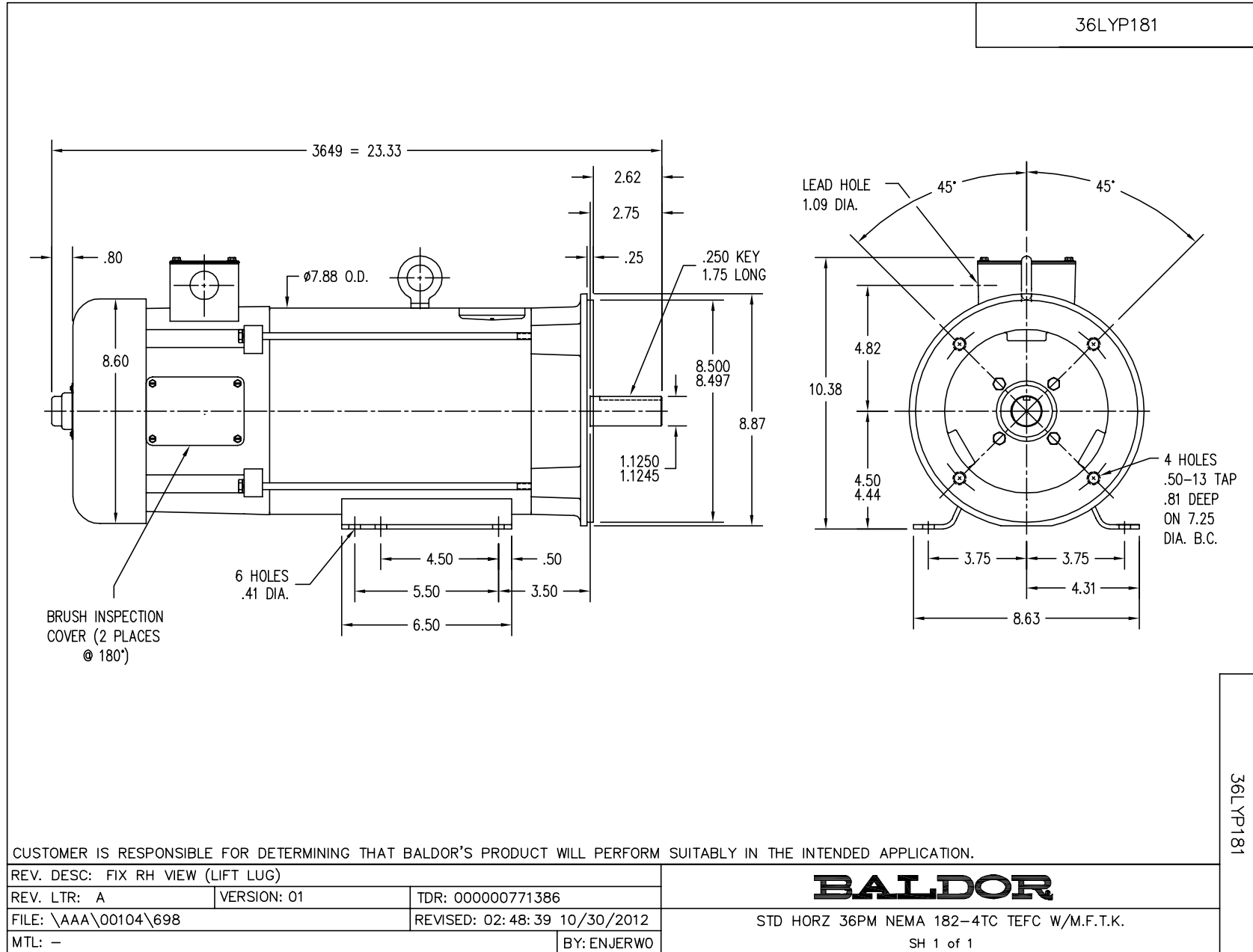
Load Characteristics at 180 Armature Volts

Load Point	1	2	3	4	5	6	7
Armature Amps	0.4	3.37	6.34	9.01	12.28	13.51	20.45
R.P.M.	1860	1844	1827	1813	1795	1788	1750
Torque ( LB-FT )	0	2	4	5.8	8	8.83	13.5

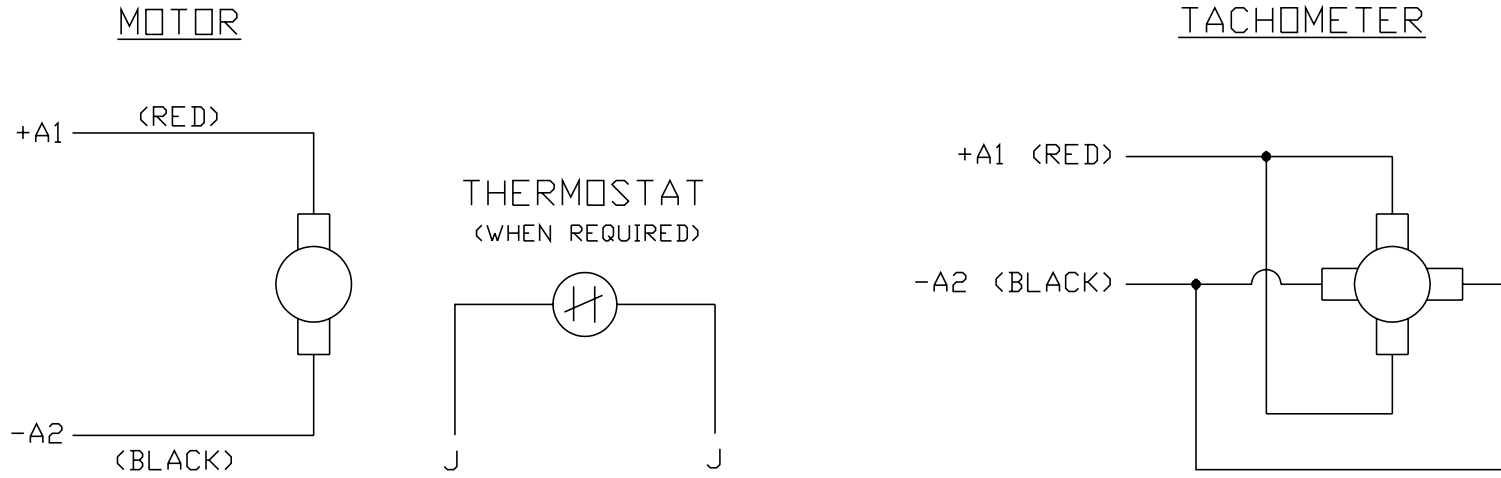
Performance Graph at 180.0 Arm V, 3.0HP Typical performance - Not guaranteed values







CD0194



NOTES:

1. CCW ROTATION AS SHOWN FACING COMMUTATOR END. TO REVERSE MOTOR ROTATION OR TACHOMETER OUTPUT POLARITY INTERCHANGE LEADS A1(RED) & A2(BLACK)
2. LEAD COLORS FOR REFERENCE ONLY & NOT SPECIFIED BY THIS DRAWING. LEAD COLORS SPECIFIED BY LAYOUT DRAWING & BILL OF MATERIAL ONLY.

MATL: -			
REV:	E	ADDED NOTE "LEAD COLORS FOR REFERENCE ONLY &..."	
#61000		SCALE: -	BY: CK
CD0194		REVISED: 07/28/95	TDR: 0078737
		FILE: AAA00004503	

**BALDOR ELECTRIC Co.**

CD TYPE P DC PERMANENT MAGNET MOTORS AND TACHOMETERS

CD0194