

# **BALDOR**® • **RELIANCE**

## **Product Information Packet**

# **CEM7067T-I**

**40//30HP,3540//2950RPM,3PH,60//50HZ,324T**

Part Detail							
Revision:	F	Status:	PRD/A	Change #:		Proprietary:	No
Type:	AC	Prod. Type:	1252M	Elec. Spec:	12WGY584	CD Diagram:	CD0180
Enclosure:	XPFC	Mfg Plant:		Mech. Spec:	12F665	Layout:	12LYF665
Frame:	324TSC	Mounting:	F1	Poles:	02	Created Date:	11-22-2013
Base:	RG	Rotation:	R	Insulation:	F	Eff. Date:	08-29-2016
Leads:	9#8					Replaced By:	
Literature:		Elec. Diagram:					

Nameplate NP0977XPSLEV										
NO.						CC	010A			
SER.							TEMP CODE	T3C		
SPEC.	12F665Y584G1									
CAT.NO.	CEM7067T-I									
HP	40//30 NEMA MG-1 PT.5,IP55									
VOLTS	230/460//190/380									
AMPS	90/45//82/41									
RPM	3540//2950					MOTOR WEIGHT	750			
HERTZ	60//50	PH	3	CL	F	DE BRG	6312			
SER.F.	1.15	DES	A	CODE	H	ODE BRG	6311			
FRAME	324TSC		GREASE			POLYREX EM				
RATING	40C AMB-CONT									
USABLE AT 208V	98	NEMA-NOM-EFF			92.4	PF	88			
	55C AMB @ 1.0 SF,60C RISE									

Parts List		
Part Number	Description	Quantity
SA272755	SA 12F665Y584G1	1.000 EA
RA259360	RA 12F665Y584G1	1.000 EA
37FN3002C04	EXFN, PLASTIC, 6.00 OD, 2.000 ID	1.000 EA
12CB1003A01	CONDUIT BOX MACH. GROUP C MTRS	1.000 EA
10XN3118K24	5/16-18 X 1.50" HEX HD, GRADE 5	4.000 EA
HW1001A31	LOCKWASHER 5/16, ZINC PLT.591 OD, .319 I	4.000 EA
WD1000B19	TERMINAL BURNDY L250HP	1.000 EA
10XN3816K12	3/8-16 X 3/4 HEX HD CAP GRADE 5	1.000 EA
HW1001A38	LOCKWASHER 3/8, ZINC PLT .688 OD, .382 I	1.000 EA
12EP1705A12P	EP, MACH. XPFC, 311 BRG. GRP C, HW4505A0	1.000 EA
HW3023E06	.125 X .625 SPIRAL SPRING PIN	1.000 EA
HA3051A03	1/2-13X2.75 BLT GR8 1.75 TO E NC F/S	4.000 EA
HW1001A50	LOCKWASHER 1/2, ZINC PLT.,879 OD, .509 I	4.000 EA
HW5100A13	W4627-047 WVY WSHER	1.000 EA
12EP1707A11P	FACE MTD. EP XPFC, W/DRN HW4505A02 W/PRI	1.000 EA
HW3023E06	.125 X .625 SPIRAL SPRING PIN	1.000 EA
10XN3118K44	5/16-18 X 2.75" HEX HD, GRADE 5	4.000 EA
HW1001A31	LOCKWASHER 5/16, ZINC PLT.591 OD, .319 I	4.000 EA
HA3051A03	1/2-13X2.75 BLT GR8 1.75 TO E NC F/S	4.000 EA
HW1001A50	LOCKWASHER 1/2, ZINC PLT.,879 OD, .509 I	4.000 EA
HA2067A02	SLINGER ALUM (AUTO)	1.000 EA
80XN1032A07	SET SCREW, HEX XOCK, ZN	2.000 EA
12FH1001A06	FAN HOUSING 312 EXPLOSION PROOF MOTORS	1.000 EA
10XN3118K12	5/16-18 X .75 GRADE 5, ZINC PLATED	3.000 EA

<b>Parts List (continued)</b>		
<b>Part Number</b>	<b>Description</b>	<b>Quantity</b>
HW1001A31	LOCKWASHER 5/16, ZINC PLT.591 OD, .319 I	3.000 EA
12CB1502A01	CONDUIT BOX LID MACH. GROUP C MTRS	1.000 EA
84XN5013J32	SOCKET HD.CAP SCR,1/2-13 X 2"LG,ALLOY ST	10.000 EA
HW1001A50	LOCKWASHER 1/2, ZINC PLT.,.879 OD, .509 I	10.000 EA
HW2501H18	KEY, 1/2 SQ X 2.000	1.000 EA
LB1115N	LABEL,LIFTING DEVICE (ON ROLLS)	1.000 EA
LB1081C	ALUM XP CAUTION LABEL (COL PLANT ONLY-	1.000 EA
MN416A01	TAG-INSTAL-MAINT no wire (1200/bx) 11/14	1.000 EA
HW4500A20	1/8NPT SL PIPE PLUG	2.000 EA
HW4505A02	BREATHER/DRAIN-EXP PROOF-.250-18 PTF AIS	1.000 EA
MJ1000A02	GREASE, POLYREX EM EXXON (USe 4824-15A)	0.200 LB
HW4500A20	1/8NPT SL PIPE PLUG	2.000 EA
HW4505A02	BREATHER/DRAIN-EXP PROOF-.250-18 PTF AIS	1.000 EA
HW2500A25	WOODRUFF KEY USA #1008 #BLOW CARBON STEE	1.000 EA
51XB1214A20	12-14X1.25 HXWSSLD SERTYB	1.000 EA
MG1025G05	WILKOFASST, 789.227, MED. GRAY CHAR. MET.	0.080 GA
85XU0407S04	4X1/4 U DRIVE PIN STAINLESS	6.000 EA
LB1119N	WARNING LABEL	1.000 EA
LC0181	CONNECTION LABEL	1.000 EA
NP0977XPSLEV	SS XP UL CSA-EEV CC CL-I GP-C&D	1.000 EA
14PA1000	PACKAGING 314 GROUP COMBINED PRINT	1.000 EA

**AC Induction Motor Performance Data**

Record # 38693 - Typical performance - not guaranteed values

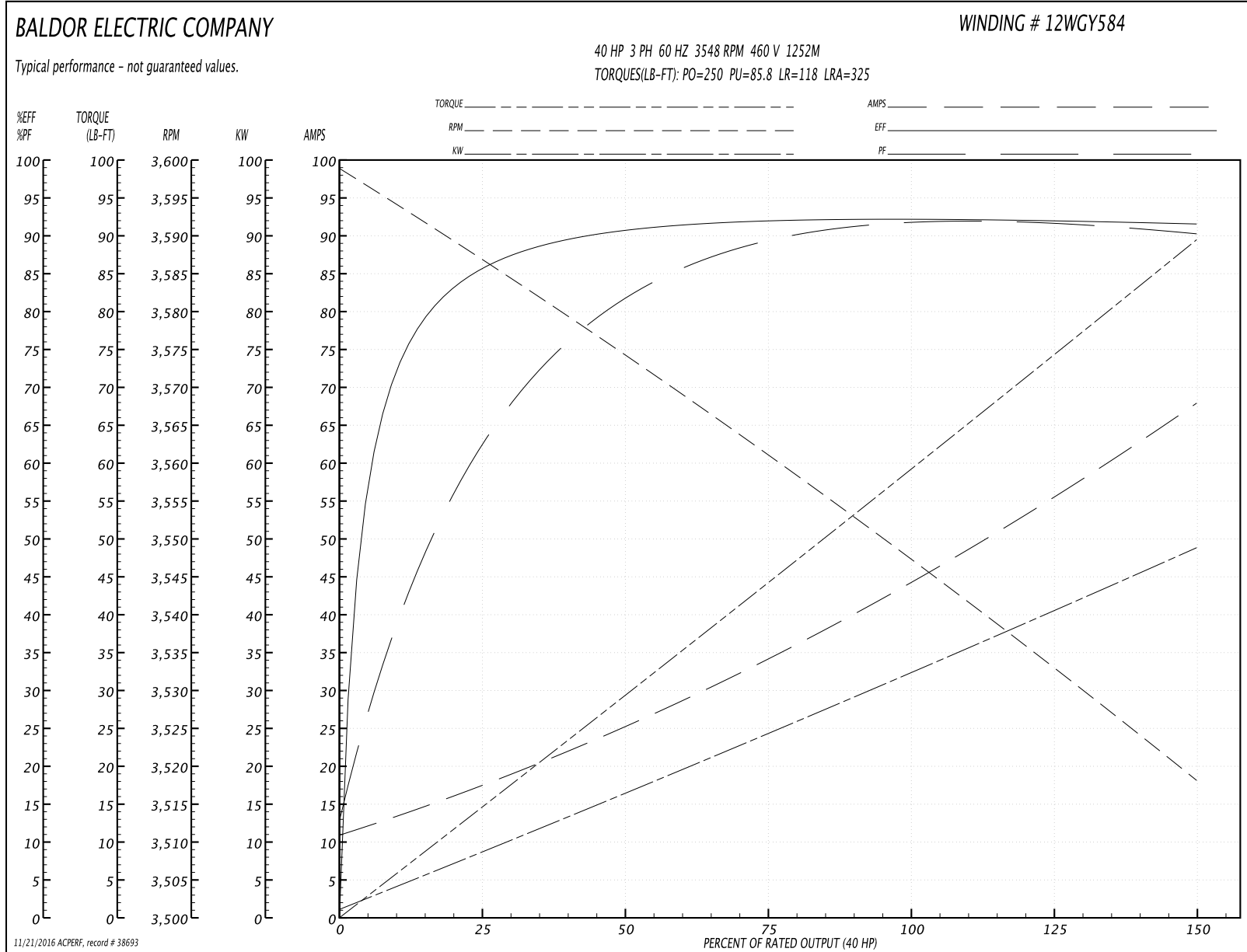
<b>Winding:</b> 12WGY584-R001	<b>Type:</b> 1252M	<b>Enclosure:</b> TEFC
-------------------------------	--------------------	------------------------

Nameplate Data				460 V, 60 Hz: High Voltage Connection	
Rated Output (HP)	40//30			Full Load Torque	59.2 LB-FT
Volts	230/460//190/380			Start Configuration	direct on line
Full Load Amps	90/45//82/41			Breakdown Torque	250 LB-FT
R.P.M.	3540//2950			Pull-up Torque	85.8 LB-FT
Hz	60//50	Phase	3	Locked-rotor Torque	118 LB-FT
NEMA Design Code	A	KVA Code	H	Starting Current	325 A
Service Factor (S.F.)	1.15			No-load Current	11.7 A
NEMA Nom. Eff.	92.4	Power Factor	88	Line-line Res. @ 25°C	0.12 Ω
Rating - Duty	40C AMB-CONT			Temp. Rise @ Rated Load	59°C
S.F. Amps				Temp. Rise @ S.F. Load	71°C
				Locked-rotor Power Factor	21
				Rotor inertia	4.07 LB-FT <sup>2</sup>

Load Characteristics 460 V, 60 Hz, 40 HP

% of Rated Load	25	50	75	100	125	150	S.F.
Power Factor	67	83	89	90	91	91	91
Efficiency	84.6	90.4	91.9	92.6	92	91.5	92.2
Speed	3587	3574	3561	3548	3533	3518	3539
Line amperes	16.4	24.7	34.4	44.7	55.9	67.4	51.4

Performance Graph at 460V, 60Hz, 40.0HP Typical performance - Not guaranteed values



**AC Induction Motor Performance Data**

Record # 38694 - Typical performance - not guaranteed values

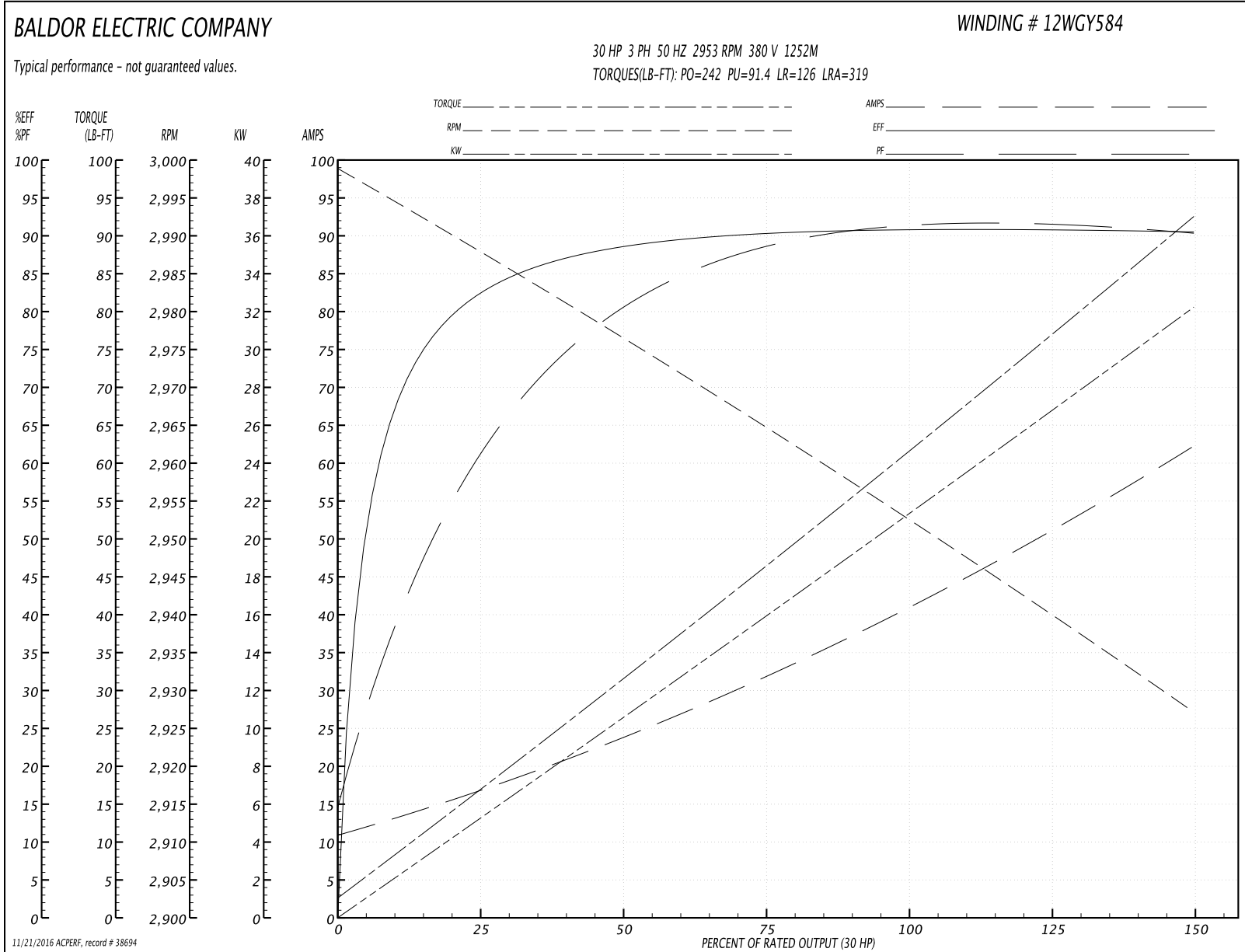
<b>Winding:</b> 12WGY584-R001	<b>Type:</b> 1252M	<b>Enclosure:</b> TEFC
-------------------------------	--------------------	------------------------

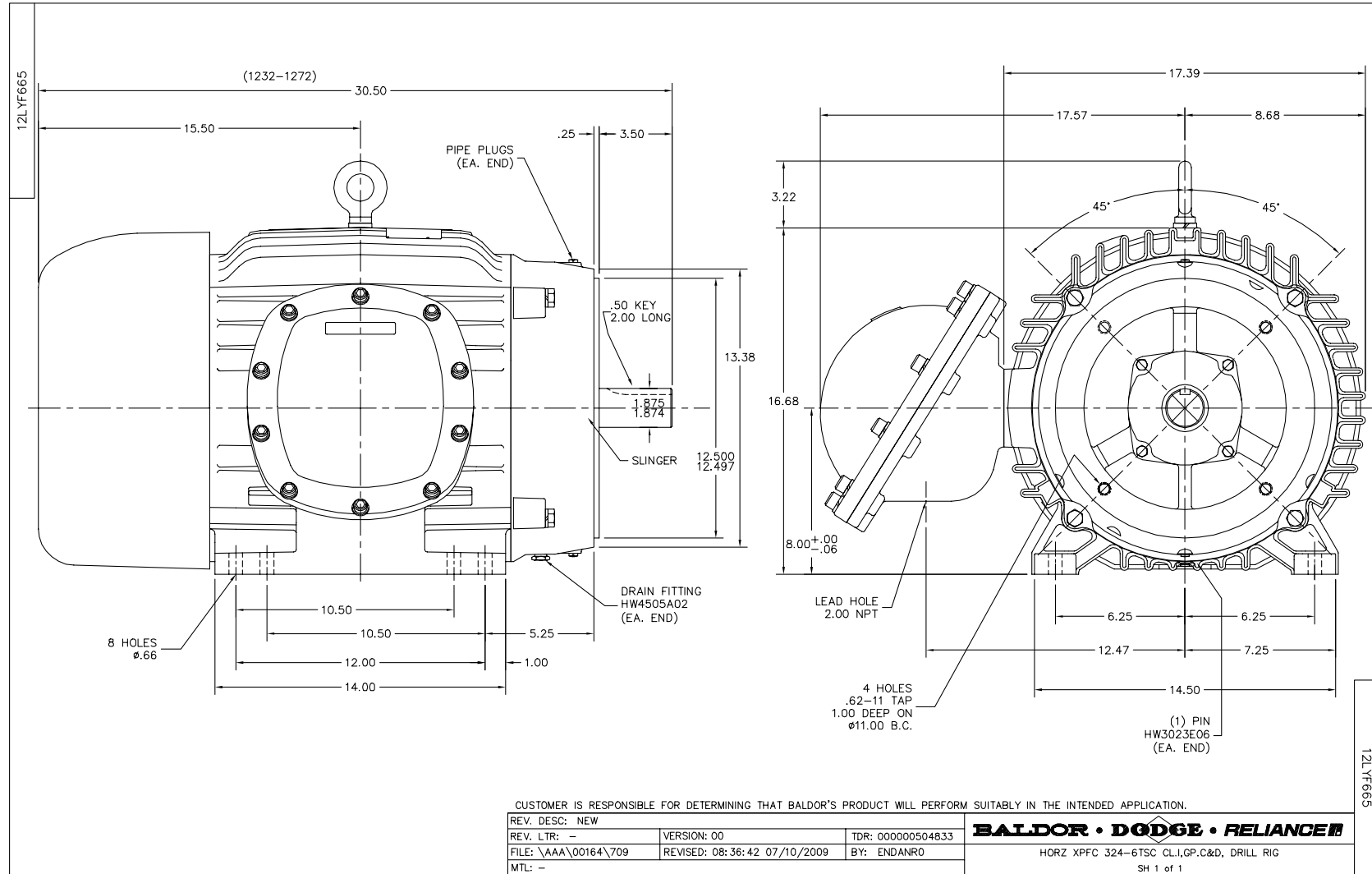
Nameplate Data				380 V, 50 Hz: High Voltage Connection	
Rated Output (HP)	40//30			Full Load Torque	53.3 LB-FT
Volts	230/460//190/380			Start Configuration	direct on line
Full Load Amps	90/45//82/41			Breakdown Torque	242 LB-FT
R.P.M.	3540//2950			Pull-up Torque	91.4 LB-FT
Hz	60//50	Phase	3	Locked-rotor Torque	126 LB-FT
NEMA Design Code	A	KVA Code	H	Starting Current	319 A
Service Factor (S.F.)	1.15			No-load Current	11.6 A
NEMA Nom. Eff.	92.4	Power Factor	88	Line-line Res. @ 25°C	0.12 Ω
Rating - Duty	40C AMB-CONT			Temp. Rise @ Rated Load	52°C
S.F. Amps				Temp. Rise @ S.F. Load	62°C
				Locked-rotor Power Factor	24
				Rotor inertia	4.07 LB-FT <sup>2</sup>

Load Characteristics 380 V, 50 Hz, 30 HP

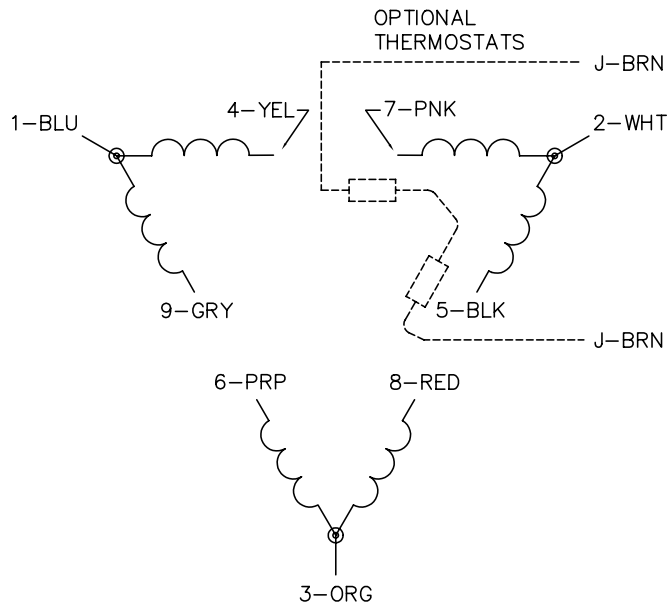
% of Rated Load	25	50	75	100	125	150	S.F.
Power Factor	66	82	88	90	91	91	91
Efficiency	81.3	88.2	90.2	91.3	90.9	90.4	91.1
Speed	2988	2976	2965	2953	2940	2927	2945
Line amperes	15.9	23.3	32.1	41.3	51.5	61.8	47.4

Performance Graph at 380V, 50Hz, 30.0HP Typical performance - Not guaranteed values

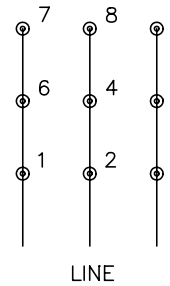




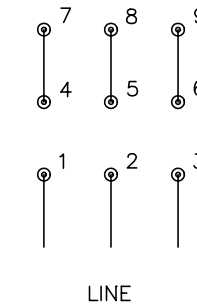
CD0180



LOW VOLTAGE  
(2D)



HIGH VOLTAGE  
(1D)



NOTES:

1. INTERCHANGE ANY TWO LINE LEADS TO REVERSE ROTATION.
2. OPTIONAL THERMOSTATS ARE PROVIDED WHEN SPECIFIED.
3. ACTUAL NUMBER OF INTERNAL PARALLEL CIRCUITS MAY BE A MULTIPLE OF THOSE SHOWN ABOVE.
4. LEAD COLORS ARE OPTIONAL. LEADS MUST ALWAYS BE NUMBERED AS SHOWN.

REV. DESC: REVISE TO SHOW OPTIONAL COLORS			
REV. LTR: C	BY: JLP	REVISED: 01/21/99 2:28	TDR: 0171435
0810D0		FILE: AAA00005148	MDL: -
		MTL: -	

**BALDOR ELECTRIC Co.**

3PH, DV, 9 LEADS, DELTA CONNECTION

CD0180