

BALDOR® • *RELIANCE*

Product Information Packet

CSSEWDM3558-5

2HP,1755RPM,3PH,60HZ,56C,3538M,TEFC,F1,N

| Part Detail | | | | | | | |
|-------------|------|----------------|-------|-------------|----------|---------------|------------|
| Revision: | G | Status: | INA/A | Change #: | | Proprietary: | No |
| Type: | AC | Prod. Type: | 3538M | Elec. Spec: | 35WGP956 | CD Diagram: | CD0006 |
| Enclosure: | TEFC | Mfg Plant: | | Mech. Spec: | 35Z176 | Layout: | 35LYZ176 |
| Frame: | 56C | Mounting: | F1 | Poles: | 04 | Created Date: | 12-20-2012 |
| Base: | RG | Rotation: | R | Insulation: | H | Eff. Date: | 04-08-2016 |
| Leads: | 3#18 | | | | | Replaced By: | |
| Literature: | | Elec. Diagram: | | | | | |

| | | | | | | | | | | |
|----------------------------|--------------|--|-------------|------------|-----------------------|----|--|--------------|-----------|---|
| Nameplate NP1953A05 | | | | | | | | | | |
| CAT.NO. | | | | | | | | | | |
| SPEC. | 35Z176P956G2 | | | | | | | | | |
| HP | 2 | | | | | | | | | |
| VOLTS | 575 | | | | | | | | | |
| AMP | 2.2 | | | | | | | | | |
| RPM | 1755 | | | | | | | | | |
| FRAME | 56C | | | | HZ | 60 | | | PH | 3 |
| SER.F. | 1.15 | | CODE | L | DES | B | | CLASS | H | |
| NEMA-NOM-EFF | 88.5 | | | PF | 78 | | | | | |
| RATING | 40C AMB-CONT | | | | | | | | | |
| CC | 010A | | | | USABLE AT 208V | | | | | |
| DE | 6205 | | | ODE | 6205 | | | | | |
| ENCL | TEFC | | SN | | | | | | | |
| | | | | | | | | | | |

| Parts List | | |
|-------------|--|----------|
| Part Number | Description | Quantity |
| SA256033 | SA 35Z176P956G2 | 1.000 EA |
| RA242830 | RA 35Z176P956G2 | 1.000 EA |
| 34FN3002B01 | EXTERNAL FAN, PLASTIC, .637/.639 HUB W/ | 1.000 EA |
| 11XW1032G06 | 10-32 X .38, TAPTITE II, HEX WSHR SLTD U | 1.000 EA |
| 35EP1917A09 | FREP TEFC 205 BRG NO GRS 4X.125 NPT (SS) | 1.000 EA |
| RM1070A25 | O-RING,VITON 6.19 ID X .062 C.S. NOM | 1.000 EA |
| HW4600E99 | AXIAL FACE SEAL 76925-9042-0447 SS CASE | 1.000 EA |
| HW4500A33 | 1/8 NPT STAINLESS,HOLO-KROME #13002,PRES | 3.000 EA |
| HW5100A05 | WVY WSHR F/205 & 304 BRGS | 1.000 EA |
| 35PE1916A05 | PUEP 56C ENC 205 BRG 4X.125 NPT (SS) | 1.000 EA |
| RM1070A25 | O-RING,VITON 6.19 ID X .062 C.S. NOM | 1.000 EA |
| HW4600E99 | AXIAL FACE SEAL 76925-9042-0447 SS CASE | 1.000 EA |
| HW4500A33 | 1/8 NPT STAINLESS,HOLO-KROME #13002,PRES | 3.000 EA |
| RM1070A26 | O-RING,4.5MM I.D.X1.5MM C.S. (VITON) | 4.000 EA |
| 51XB1214A16 | 12-14X1.00 HXWSSLD SERTYB | 1.000 EA |
| 35FH4005A39 | IEC FH NO GREASER (#304 SS)CLEAN ONLY | 1.000 EA |
| 10XN1032S06 | HEX HD CAP SCREW, SS | 3.000 EA |
| 36GS3008SP | WHITE NEOPREME KO BOX LID GASKET | 1.000 EA |
| 35CB4515 | 35 CB LID #304 STAINLESS STEEL | 1.000 EA |
| 59XN0832S07 | 8/32 X 7/16 HX WS HD SER X | 4.000 EA |
| HW2502D13 | SS KEY, 3/16 SQ X 1.375 | 1.000 EA |
| HA7000A04 | KEY RETAINER 0.625 DIA SHAFTS | 1.000 EA |
| MJ5001A27 | 32220KN GRAY SEALER *MIN BUY 4 QTS=1GAL | 0.005 QT |
| MJ5004A37 | #76732 LOCTITE ANTISEIZE THRD COMPOUND | 0.005 EA |

| Parts List (continued) | | |
|-------------------------------|--|-----------------|
| Part Number | Description | Quantity |
| HA5027A02 | HA4054 T-DRAIN X2 BAGGED WITH LABEL | 1.000 EA |
| MJ1000A02 | GREASE, POLYREX EM EXXON (USe 4824-15A) | 0.050 LB |
| WD4006A07 | WIRE JOINT,SILICONE FILLED FOR WATERTIGH | 3.000 EA |
| HA3100S10 | THRUBOLT 11.50LG SS | 4.000 EA |
| 36PA1000 | PKG GRP, PRINT PK1016A06 | 1.000 EA |
| MN416A01 | TAG-INSTAL-MAINT no wire (1200/bx) 11/14 | 1.000 EA |
| LB1417 | LABEL CARTON 6X4 PERFORATED BLANK ROLLS | 1.000 EA |

AC Induction Motor Performance Data

Record # 35976 - Typical performance - not guaranteed values

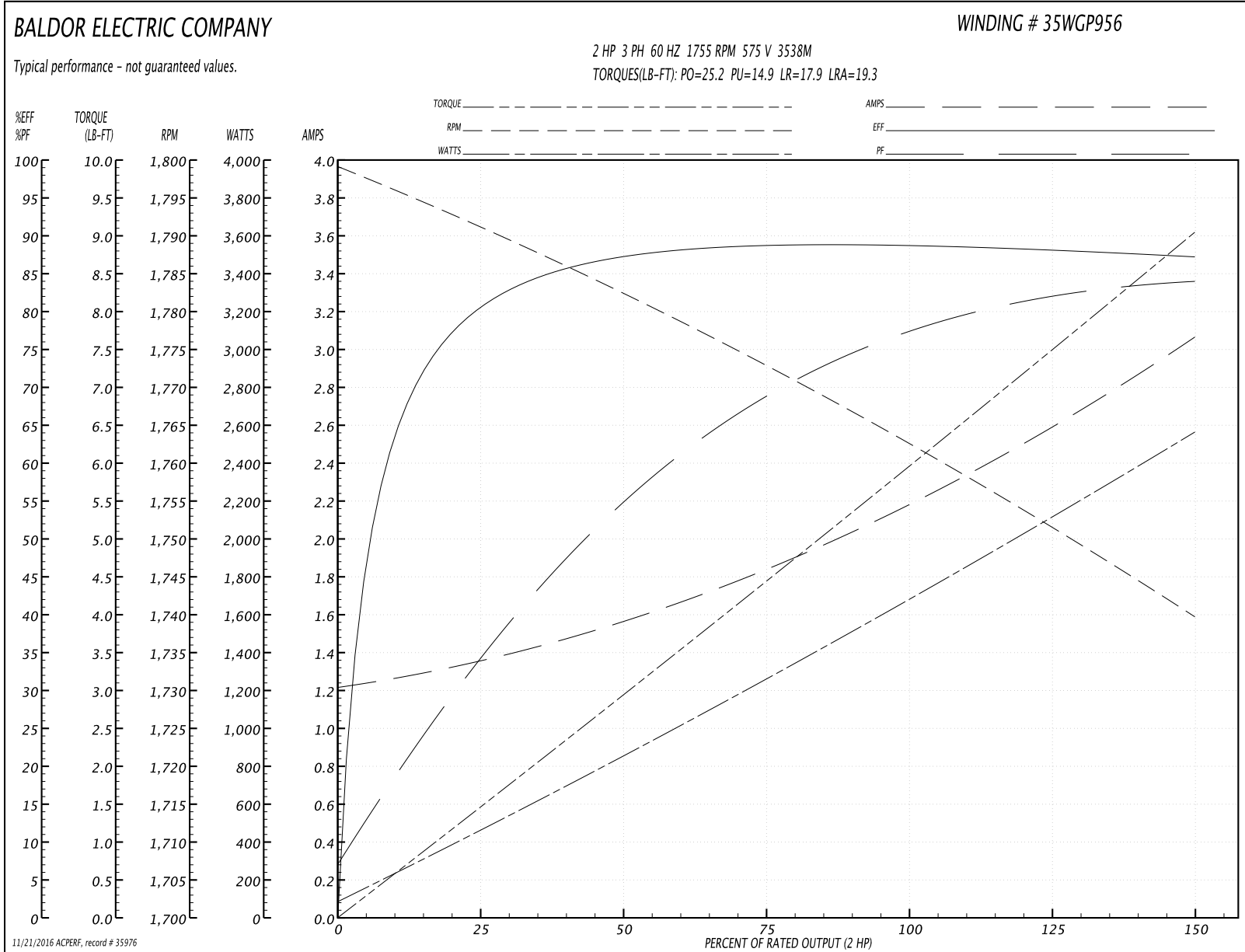
| | | |
|-------------------------------|--------------------|------------------------|
| Winding: 35WGP956-R001 | Type: 3538M | Enclosure: TEFC |
|-------------------------------|--------------------|------------------------|

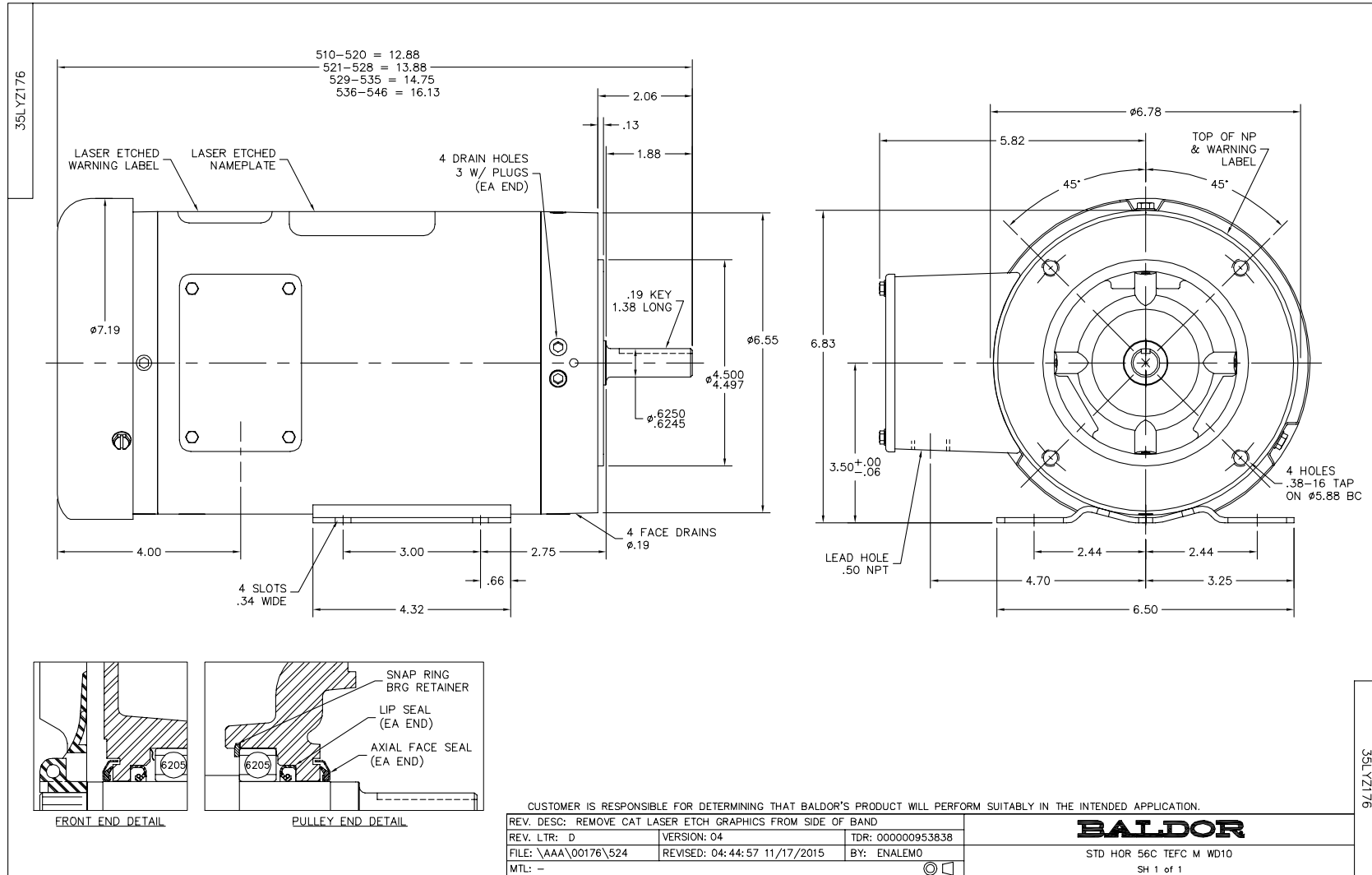
| Nameplate Data | | | | 575 V, 60 Hz: Single Voltage Motor | |
|-----------------------|--------------|--------------|----|---------------------------------------|--------------------------|
| Rated Output (HP) | 2 | | | Full Load Torque | 5.99 LB-FT |
| Volts | 575 | | | Start Configuration | direct on line |
| Full Load Amps | 2.2 | | | Breakdown Torque | 25.2 LB-FT |
| R.P.M. | 1755 | | | Pull-up Torque | 14.9 LB-FT |
| Hz | 60 | Phase | 3 | Locked-rotor Torque | 17.9 LB-FT |
| NEMA Design Code | B | KVA Code | L | Starting Current | 19.3 A |
| Service Factor (S.F.) | 1.15 | | | No-load Current | 1.24 A |
| NEMA Nom. Eff. | 88.5 | Power Factor | 78 | Line-line Res. @ 25°C | 10.7 Ω |
| Rating - Duty | 40C AMB-CONT | | | Temp. Rise @ Rated Load | 53°C |
| S.F. Amps | | | | Temp. Rise @ S.F. Load | 63°C |
| | | | | Locked-rotor Power Factor | 46 |
| | | | | Rotor inertia | 0.225 LB-FT ² |

Load Characteristics 575 V, 60 Hz, 2 HP

| % of Rated Load | 25 | 50 | 75 | 100 | 125 | 150 | S.F. |
|-----------------|------|------|------|------|------|------|------|
| Power Factor | 35 | 55 | 69 | 77 | 82 | 84 | 80 |
| Efficiency | 80.7 | 87.1 | 88.7 | 88.8 | 88.2 | 87.2 | 88.4 |
| Speed | 1791 | 1783 | 1773 | 1762 | 1751 | 1740 | 1755 |
| Line amperes | 1.33 | 1.54 | 1.85 | 2.21 | 2.61 | 3.05 | 2.45 |

Performance Graph at 575V, 60Hz, 2.0HP Typical performance - Not guaranteed values





CD0006



NOTES:

1. THREE LEAD MOTOR MAY BE EITHER WYE CONNECTED OR DELTA CONNECTED.
2. INTERCHANGE ANY TWO LINE LEADS TO REVERSE ROTATION.
3. OPTIONAL THERMOSTATS ARE PROVIDED WHEN SPECIFIED.
4. ACTUAL NUMBER OF INTERNAL PARALLEL CIRCUITS MAY VARY.
5. LEAD COLORS ARE OPTIONAL. LEADS MUST BE NUMBERED AS SHOWN.

| | | | |
|---|---------|------------------------|--------------|
| REV. DESC: REVISE TO SHOW OPTIONAL COLORS | | | |
| REV. LTR: D | BY: JLP | REVISED: 01/21/99 4:02 | TDR: 0171435 |
| 9000D | | FILE: AAA00005141 | MDL: - |
| | | MTL: - | |

BALDOR ELECTRIC Co.

3PH, SV, 3 LEADS, WYE OR DELTA CONNECTED

CD0006