

BALDOR® • **RELIANCE**

Product Information Packet

ECP83663T-4

5HP,3440RPM,3PH,60HZ,184T,0643M,TEFC,F1

Part Detail							
Revision:	-	Status:	PRD/A	Change #:		Proprietary:	No
Type:	AC	Prod. Type:	0643M	Elec. Spec:	06WGX822	CD Diagram:	CD0006
Enclosure:	TEFC	Mfg Plant:		Mech. Spec:	06H759	Layout:	06LYH759
Frame:	184T	Mounting:	F1	Poles:	02	Created Date:	10-03-2016
Base:	RG	Rotation:	R	Insulation:	F	Eff. Date:	10-13-2016
Leads:	3#16					Replaced By:	
Literature:		Elec. Diagram:					

Nameplate NP3235E											
CAT.NO.	ECP83663T-4										
SPEC.	06H759X822G1										
HP	5	TE						IP	56		
VOLTS	460										
AMP	5.7										
RPM	3440										
FRAME	184T					HZ	60				
SER.F.	1.15			CODE	J	DES	B			PH	3
RATING	40C AMB-CONT									CL	F
SN											
DE	6206					ODE	6206				
NEMA-NOM-EFF	88.5			PF	94						
G.MIN.EFF	86.5			CC	010A						
T. CODE	T3C			T=	160						

Nameplate NP3186E			
SPEC.	06H759X822G1		
D.E. BRG.	30BC02X30X		
O.D.E. BRG.	30BC02X30X		
GREASE	POLYREX EM		
WEIGHT	122	# OF ROTOR BARS	28
RPM MAX	5400	MAX. KVAR	
BLANK			
INV. TYPE	PWM	# OF STATOR SLOTS	36
T=	160		
C HP FR	60	C HP TO	90
CT HZ FROM	6	CT HZ TO	60
VT HZ FROM	4.4	VT HZ TO	60
HTR-VOLTS	N/A	HTR-AMPS	N/A
HTR-WATTS	N/A	MAX. SPACE HEATER TEMP.	N/A

Parts List		
Part Number	Description	Quantity
SA328432	SA 06H759X822G1	1.000 EA
RA316361	RA 06H759X822G1	1.000 EA
34FN3002A02	EXTERNAL FAN, PLASTIC, .905/.907 HUB W/	1.000 EA
HW3201A05	3/8-16 EYEBOLT	1.000 EA
06CB1001A01G	CONDUIT BOX, MACH GRAY	1.000 EA
RM1016	LEAD SEPARATOR GASKET - 305/306 C.P.MOTO	1.000 EA
51XW2520A12	.25-20 X .75, TAPTITE II, HEX WSHR SLTD	2.000 EA
11XW1032G06	10-32 X .38, TAPTITE II, HEX WSHR SLTD U	1.000 EA
HW3001B01	BRASS CUP WASHER, FOR #8 SCREW	1.000 EA
WD1000B16	T&B CX70TN TERMINAL	2.000 EA
10XN2520G06	1/4 20X3/8 HX HD CAP, GREEN	2.000 EA
06PE1132A02G	FREP ASSEMBLY FOR ROUTING PURPOSES	1.000 EA
HW4601B24	INPRO SEAL, 206 BRG, MINI66	1.000 EA
HW4500A32	FIT./EXT 1698-B (ALEMITE)GREASE FITTING	1.000 EA
HA4051A00	PLASTIC CAP FOR GREASE FITTING	1.000 EA
51XN1032A20	10-32 X 1 1/4 HX WS SL SR	4.000 EA
HW4500A17	317400 ALEMITE GREASE RELIEF	1.000 EA
HA4010A01	DRAIN PLUG,416 S.S.,W/ 1/4-28 THD & .076	1.000 EA
HW5100A06	W2420-025 WVY WSHR (WB)	1.000 EA
06EP1132A01G	PUEP ENCL 206,BRG RET,GRSR,RLF,DRAIN FIT	1.000 EA
HW4601B24	INPRO SEAL, 206 BRG, MINI66	1.000 EA
HW4500A01	1641B(ALEMITE)400 UNIV, GREASE FITT	1.000 EA
HA4051A00	PLASTIC CAP FOR GREASE FITTING	1.000 EA
HW4500A17	317400 ALEMITE GREASE RELIEF	1.000 EA

Parts List (continued)		
Part Number	Description	Quantity
HA4010A01	DRAIN PLUG,416 S.S.,W/ 1/4-28 THD & .076	1.000 EA
51XN1032A20	10-32 X 1 1/4 HX WS SL SR	4.000 EA
HA3101A34	THRUBOLT- 1/4-20 X 10.375	4.000 EA
XY2520A12	1/4-20 HEX NUT, DIRECTIONAL SERRATIONS	4.000 EA
06FH1004A01G	FAN HOUSING MACH, W/GRAY EPOXY	1.000 EA
10XN2520A24	1/4-20X 1 1/2 HEX HD X	3.000 EA
WD4100A02	DP-1000 HEYCO PLUG OR 62MP1000 MICRO PL	1.000 EA
06CB1503A01G	LIPPED CONDUIT BOX LID, MACH GRAY EPOXY	1.000 EA
06GS1009	GASKET, KOBX LID, 1/8" THICK BLACK NEOPR	1.000 EA
10XN2520A12	O1/4-20X 3/4 HEX HEAD CAP	2.000 EA
HW1001A25	LOCKWASHER 1/4, ZINC PLT .493 OD, .255 I	2.000 EA
MJ5004A59	ADHESIVE LOCTITE #401 SURFACE INSENSITIV	0.010 EA
HW2501E16	3KEY, 1/4 SQ X 1.750	1.000 EA
HA7000A02	KEY RETAINER RING, 1 1/8 DIA, 1 3/8 DIA	1.000 EA
MJ5001A27	32220KN GRAY SEALER *MIN BUY 4 QTS=1GAL	0.001 QT
MJ1000A73	INPRO P-80 ASSEMBLY LUB./ 1 QT. CONTAIN	0.001 QT
85XU0407S04	4X1/4 U DRIVE PIN STAINLESS	4.000 EA
LB1115N	LABEL,LIFTING DEVICE (ON ROLLS)	1.000 EA
LT0019A00	MOTOR NO-LOAD PERFORMANCE DATA SHEET	1.000 EA
WD1000D21	TRM,T&B #B71M,RING,18-14,.25,NON-INSL	3.000 EA
MJ1000A02	GREASE, POLYREX EM EXXON (USe 4824-15A)	0.050 LB
51XB1214A16	12-14X1.00 HXWSSLD SERTYB	1.000 EA
MG1025N19	WILKOFASST, 778.50, RELIANCE BLUE-GREEN	0.028 GA
LB1119N	WARNING LABEL	1.000 EA

LB1449	DIV-2/NEC WARNING LABEL	1.000 EA
LC0006	CONNECTION LABEL	1.000 EA
NP3235E	SS IEEE841 DIV-2 UL CSA-C US EEV PREM	1.000 EA
NP3186E	SS IEEE841 INV AUX DATA INFORMATION	1.000 EA
36PA1001	PKG GRP, PRINT PK1017A06	1.000 EA
MN416A01	TAG-INSTAL-MAINT no wire (1000/bx) 11/14	1.000 EA

AC Induction Motor Performance Data

Record # 59597 - Typical performance - not guaranteed values

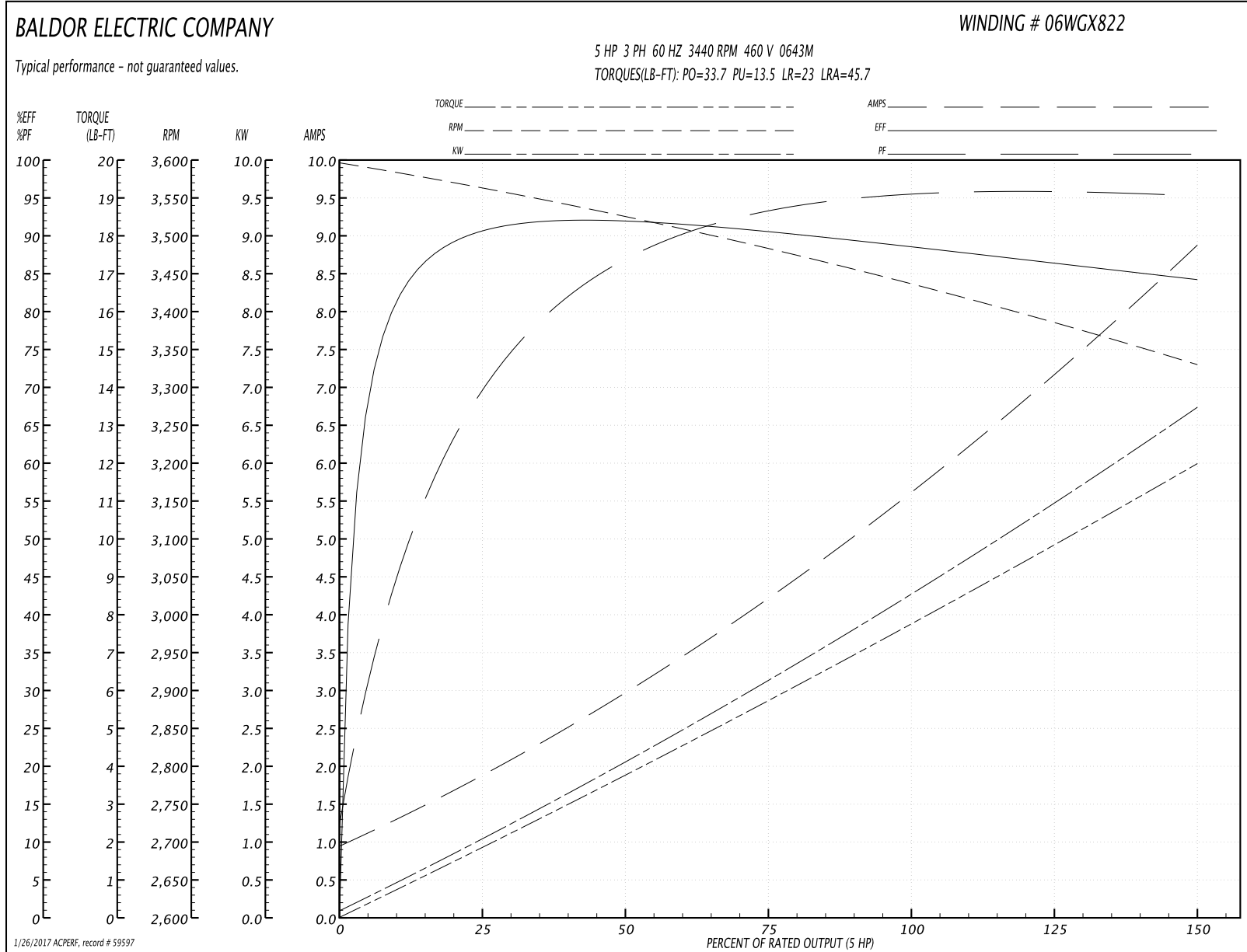
Winding: 06WGX822-R001	Type: 0643M	Enclosure: TEFC
-------------------------------	--------------------	------------------------

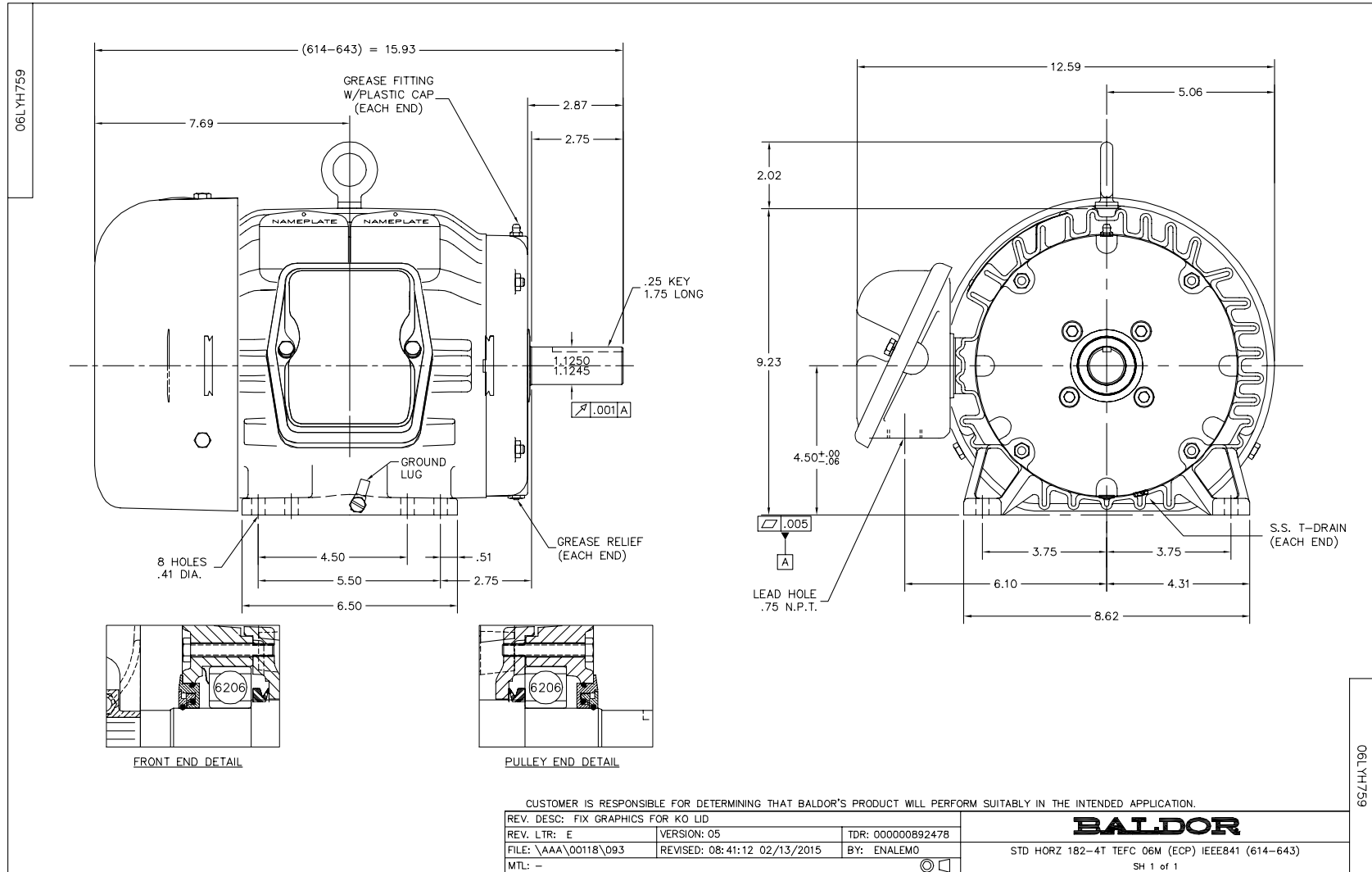
Nameplate Data				460 V, 60 Hz: Single Voltage Motor	
Rated Output (HP)	5			Full Load Torque	7.76 LB-FT
Volts	460			Start Configuration	direct on line
Full Load Amps	5.7			Breakdown Torque	33.7 LB-FT
R.P.M.	3440			Pull-up Torque	13.5 LB-FT
Hz	60	Phase	3	Locked-rotor Torque	23 LB-FT
NEMA Design Code	B	KVA Code	J	Starting Current	45.7 A
Service Factor (S.F.)	1.15			No-load Current	1.07 A
NEMA Nom. Eff.	88.5	Power Factor	94	Line-line Res. @ 25°C	2.5537 Ω
Rating - Duty	40C AMB-CONT			Temp. Rise @ Rated Load	51°C
S.F. Amps				Temp. Rise @ S.F. Load	67°C
				Locked-rotor Power Factor	41.6

Load Characteristics 460 V, 60 Hz, 5 HP

% of Rated Load	25	50	75	100	125	150	S.F.
Power Factor	78	90	93	94	93	97	93
Efficiency	90.2	91.5	90.6	88.8	86.4	84.2	87.4
Speed	3558.9	3523	3481.9	3440	3385.6	3329.1	3406
Line amperes	1.8	2.92	4.25	5.68	7.33	8.74	6.67

Performance Graph at 460V, 60Hz, 5.0HP Typical performance - Not guaranteed values





CD0006



NOTES:

1. THREE LEAD MOTOR MAY BE EITHER WYE CONNECTED OR DELTA CONNECTED.
2. INTERCHANGE ANY TWO LINE LEADS TO REVERSE ROTATION.
3. OPTIONAL THERMOSTATS ARE PROVIDED WHEN SPECIFIED.
4. ACTUAL NUMBER OF INTERNAL PARALLEL CIRCUITS MAY VARY.
5. LEAD COLORS ARE OPTIONAL. LEADS MUST BE NUMBERED AS SHOWN.

REV. DESC: REVISE TO SHOW OPTIONAL COLORS			
REV. LTR: D	BY: JLP	REVISED: 01/21/99 4:02	TDR: 0171435
9000D		FILE: AAA00005141	MDL: -
		MTL: -	

BALDOR ELECTRIC Co.

3PH, SV, 3 LEADS, WYE OR DELTA CONNECTED

CD0006