

BALDOR® • *RELIANCE*

Product Information Packet

ECP84412T-5

125HP,3565RPM,3PH,60HZ,444TS,A44056M,TEF

Part Detail							
Revision:	L	Status:	PRD/A	Change #:		Proprietary:	No
Type:	AC	Prod. Type:	A44056M	Elec. Spec:	A44WG1592	CD Diagram:	416820-036
Enclosure:	TEFC	Mfg Plant:		Mech. Spec:		Layout:	617427-064
Frame:	444TS	Mounting:	F1	Poles:	02	Created Date:	08-17-2012
Base:		Rotation:	PS	Insulation:	F	Eff. Date:	12-15-2016
Leads:	3#1					Replaced By:	
Literature:		Elec. Diagram:					

Nameplate NP3237									
CAT NO	ECP84412T-5		SPEC NO.	P44G3961		DESIGN	B		
HP	125	AMPS	109	VOLTS	575	SF	1.15	DUTY	CONT
FRAME SIZE	444TS	RPM	3565	HZ	60	AMB	40	PH	3
D.E. BRG.DATA	6313	O.D.E. BRG.DATA	6313	TYPE	P	ENCL	TEFC	CODE	F
D.E. BRG.	65BC03J30X	POWER FACTOR	89	INSUL.CLASS	F				
O.D.E. BRG.	65BC03J30X	MAX CORR KVAR	15.0	NEMA-NOM-EFFICIENCY	95.4				
3/4 LOAD EFF.	95.4	IP	56	GUARANTEED EFFICIENCY	94.5				
TEMP CODE	T3	TEMP =	200	VT HZ	0-60				
CHP HZ	60-75	CT HZ	30-60	MOTOR WEIGHT	1799				
INVERTER-TEMP-CODE	T3	SER.NO.							

Nameplate 000613007EX

CAT NO	ECP84412T-5	SPEC NO.	P44G3961
NO. ROTOR BARS	38	GREASE TYPE	POLYREX EM
NO. SLOTS	48	NL AMPS AT RATED VOLTAGE	26.8
5 YEAR WARRANTY		WINDING RES @25 C	0.0507
MFG. DATE		SER.NO	
			OHMS

Parts List		
Part Number	Description	Quantity
SA249731	SA P44G3961	1.000 EA
RA236591	RA P44G3961	1.000 EA
000613006PU	N/P (RELEASE QTY 10,000) UL CSA LABEL	1.000 EA
NP3237	SS SUPER E INVERTER DUTY IEEE 841	1.000 EA
000613007EX	SS IEEE 841 EMBOSSED AUXILIARY NAMEPLATE	1.000 EA
000692000FF	N/P	1.000 EA
000692000JP	N/P	1.000 EA
000692000VD	LABEL WARNING	1.000 EA
000692000VH	N/P	1.000 EA
421948051	LABEL, MYLAR	1.000 EA
004824015A	GREASE POLYREX EM	0.540 LB
032018008CK	HHCS 3/8-16X1L PLATED	4.000 EA
032018020FK	HHCS 3/4-10X2-1/2 PLTD.	4.000 EA
032018022CK	HHCS 3/8-16X2-3/4 PLTD	3.000 EA
032620016LA	SOCKET SET SCREW-449	3.000 EA
034017014AB	LCKW 3/8 STD. PLATED	4.000 EA
034180014DA	KEY 1/4X1/4X1-3/4 L	1.000 EA
034530072AB	P/NIP 1/8X9"L Threaded both ends	1.000 EA
034530072BB	PIPE NIPPLE,DE - 440-BS	1.000 EA
034600001AA	BUSH 1/4TO1/8 BLACK	1.000 EA
034630002AB	CPLG 1/4" PLATED	1.000 EA
034690005AB	PPLG 3/4 PLATED	2.000 EA
035000001G	GREASE RELIEF FITTING, ALEMITE 317400	1.000 EA
089490097C	BRKT,DE 089490102WCA	1.000 EA

Parts List (continued)		
Part Number	Description	Quantity
412118006A	DRAIN	1.000 EA
083199082RA	G28 SHORT FAN COVER W/BAFFLE ASSEMBLY	1.000 EA
089490097C	BRKT,DE 089490102WCA	1.000 EA
410700004F	WSHR	1.000 EA
412118006A	DRAIN	1.000 EA
415028021E	SEAL	1.000 EA
415072001B	CLAMP	1.000 EA
415096002A	CPLG 1/8 HEX TYPE	1.000 EA
423709011C	WASHER	3.000 EA
078546004C	FAN 440 702675001D	1.000 EA
032018004BK	HHCS 5/16-18X1/2 PLATED	3.000 EA
032018006BK	HHCS 5/16-18X3/4 PLATED	3.000 EA
032018020FK	HHCS 3/4-10X2-1/2 PLTD.	4.000 EA
032018022CK	HHCS 3/8-16X2-3/4 PLTD	3.000 EA
415915007K	GASK, 26" LAC	1.000 EA
034017013AB	LCKW 5/16 STD. PLATED	3.000 EA
034530056AB	1/8 X 7 PP NIPPLE	1.000 EA
034530056BB	P/NIP 1/4X7 SCHED 40	1.000 EA
034600001AA	BUSH 1/4TO1/8 BLACK	1.000 EA
034630002AB	CPLG 1/4" PLATED	1.000 EA
035000001G	GREASE RELIEF FITTING, ALEMITE 317400	1.000 EA
415028021E	SEAL	1.000 EA
415096002A	CPLG 1/8 HEX TYPE	1.000 EA
423709011C	WASHER	3.000 EA

Product Information Packet: ECP84412T-5 - 125HP,3565RPM,3PH,60HZ,444TS,A44056M,TEF

702623012A	THERMAL BARRIER, G28	1.000 EA
032018008BK	HHCS 5/16-18X1L PLATED	4.000 EA
032018008DK	HHCS 1/2-13X1 PLATED	4.000 EA
033512006LB	HHTTS 1/4-20X3/4 PLTD.	1.000 EA
035000001A	ALFTG 1/8" 1610-BL	1.000 EA
035000001A	ALFTG 1/8" 1610-BL	1.000 EA
067053001C	GASK 440	1.000 EA
076863000C	+CBCST BLKT - 440	1.000 EA
076864000A	CB CVRCST BLKT - 440	1.000 EA
406056007A	GASKET, 440	1.000 EA
406099000A	PLUG - FAN COVER 320-440	1.000 EA
415000103D	T/LUG #4AWG-1/0AWG W/HOLE FOR .250 BOLT	1.000 EA
418150003A	GREASE FITTING CAP	1.000 EA
418150003A	GREASE FITTING CAP	1.000 EA
MG1025N19	WILKO 778.50 BLUE GREEN - 55 GAL DRUMS	0.250 GA
033775004EA	DRSCR #6-1/4 304 S.S.	2.000 EA
034180024HA	KEY 5/8X5/8X3 L	1.000 EA
MN416	TAG-INSTAL-MAINT w/wire. (1200/bx) 10/14	1.000 EA
PK5004A09	BASE 48 X 39-1/4 STACK 2 X 4 RUUNER	1.000 EA
LB1449	DIV-2/NEC WARNING LABEL	1.000 EA

REL. S.O.	FRAME	HP	TYPE	PHASE/HERTZ	RPM	VOLTS
	444TS	125	P	3/60	3565	575
AMPS	DUTY	AMB °C/ INSUL.	S.F.	NEMA DESIGN	CODE LETTER	ENCL.
109	CONT	40/F	1.15	B	F	TEFC
E/S	ROTOR	TEST S.O.	TEST DATE	STATOR RES. @25 °C (OHMS (BETWEEN LINES))		
497511	418143-14-CE	---	---	.0503		

PERFORMANCE						
LOAD	HP	AMPERES	RPM	POWER FACTOR %	EFFICIENCY %	
NO LOAD	0	26.8	3600	7.43	0	
1/4	31.3	37.3	3592	68.4	91.6	
2/4	62.5	57.8	3584	85.6	94.7	
3/4	93.8	82.2	3576	89.7	95.4	
4/4	125	109	3567	90.4	95.4	
5/4	156	136	3558	90.4	95.1	

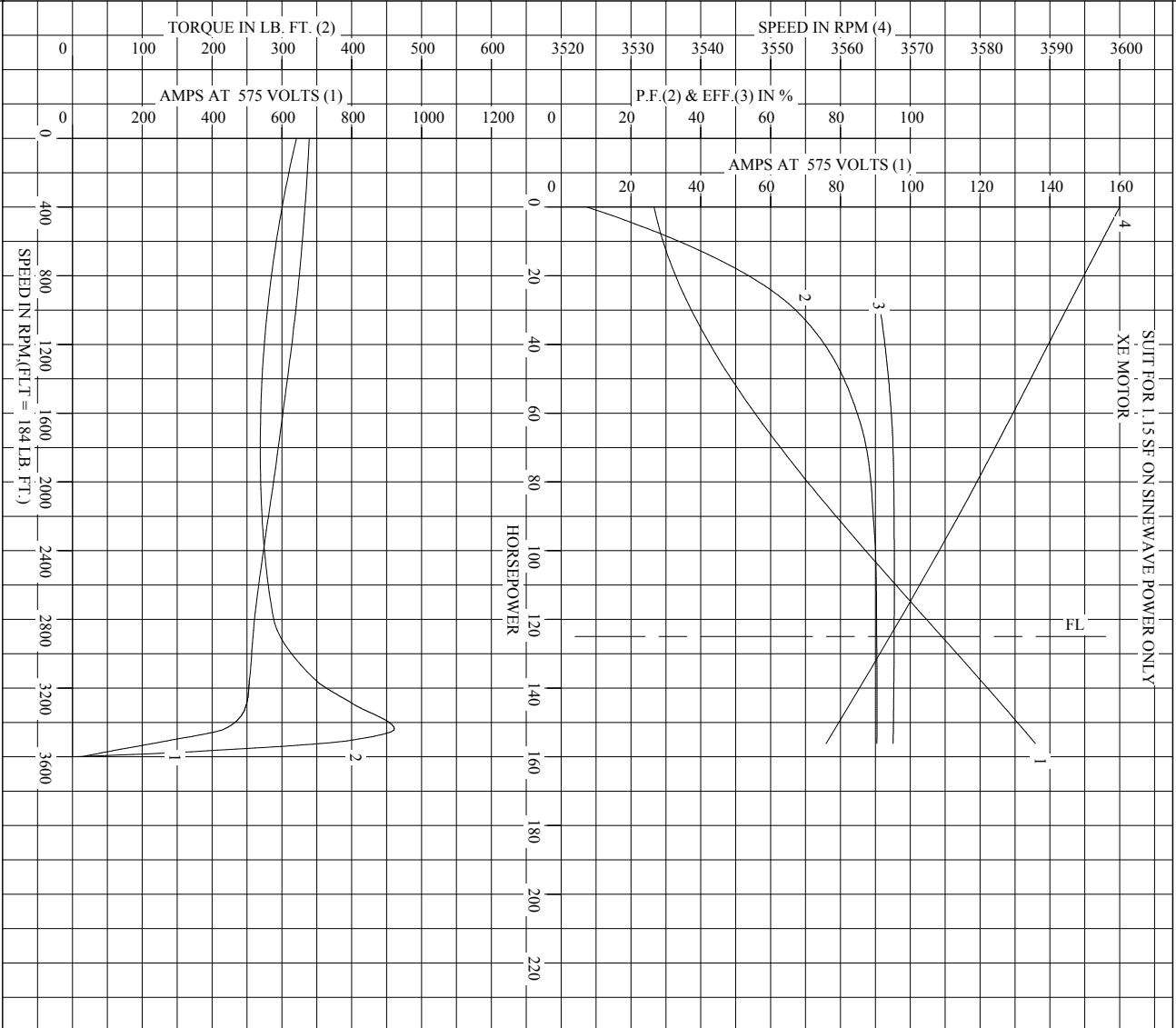
SPEED TORQUE						
	RPM	TORQUE % FULL LOAD	TORQUE LB.-FT.	AMPERES		
LOCKED ROTOR	0	174	321	678		
PULL UP	1800	146	269	590		
BREAKDOWN	3438	251	461	435		
FULL LOAD	3567	100	184	109		

AMPERES SHOWN FOR 575. VOLT CONNECTION. IF OTHER VOLTAGE CONNECTIONS ARE AVAILABLE, THE AMPERES WILL VARY INVERSELY WITH THE RATED VOLTAGE

REMARKS: TYPICAL DATA
SUIT FOR 1.15 SF ON SINEWAVE POWER ONLY
XE MOTOR

BALDOR	DR. BY P. B. GREENE	A-C MOTOR
	CK. BY K. W. KANOUE	
	APP. BY K. W. KANOUE	
	DATE 02/08/01	
PERFORMANCE DATA		A44WG1592-R001
		ISSUE DATE 12/18/10

REL. S.O. _____ RPM 3565 S.F. 1.15 ROTOR 418143-14-CE
 FRAME 444TS VOLTS 575 NEMA DESIGN B TEST S.O. TYPICAL DATA
 HP 125 AMPS 109 CODE LETTER F
 TYPE P DUTY CONT ENCLOSURE TEFPC STATOR RES. @ 25 °C .0503
 PHASE/HERTZ 3/60 AMB °C/INSUL 40/F E/S 497511 OHMS (BETWEEN LINES)



AMPERES SHOWN FOR 575 VOLT CONNECTION, IF OTHER VOLTAGE CONNECTIONS ARE AVAILABLE, THE AMPERES WILL VARY INVERSELY WITH THE RATED VOLTAGE.

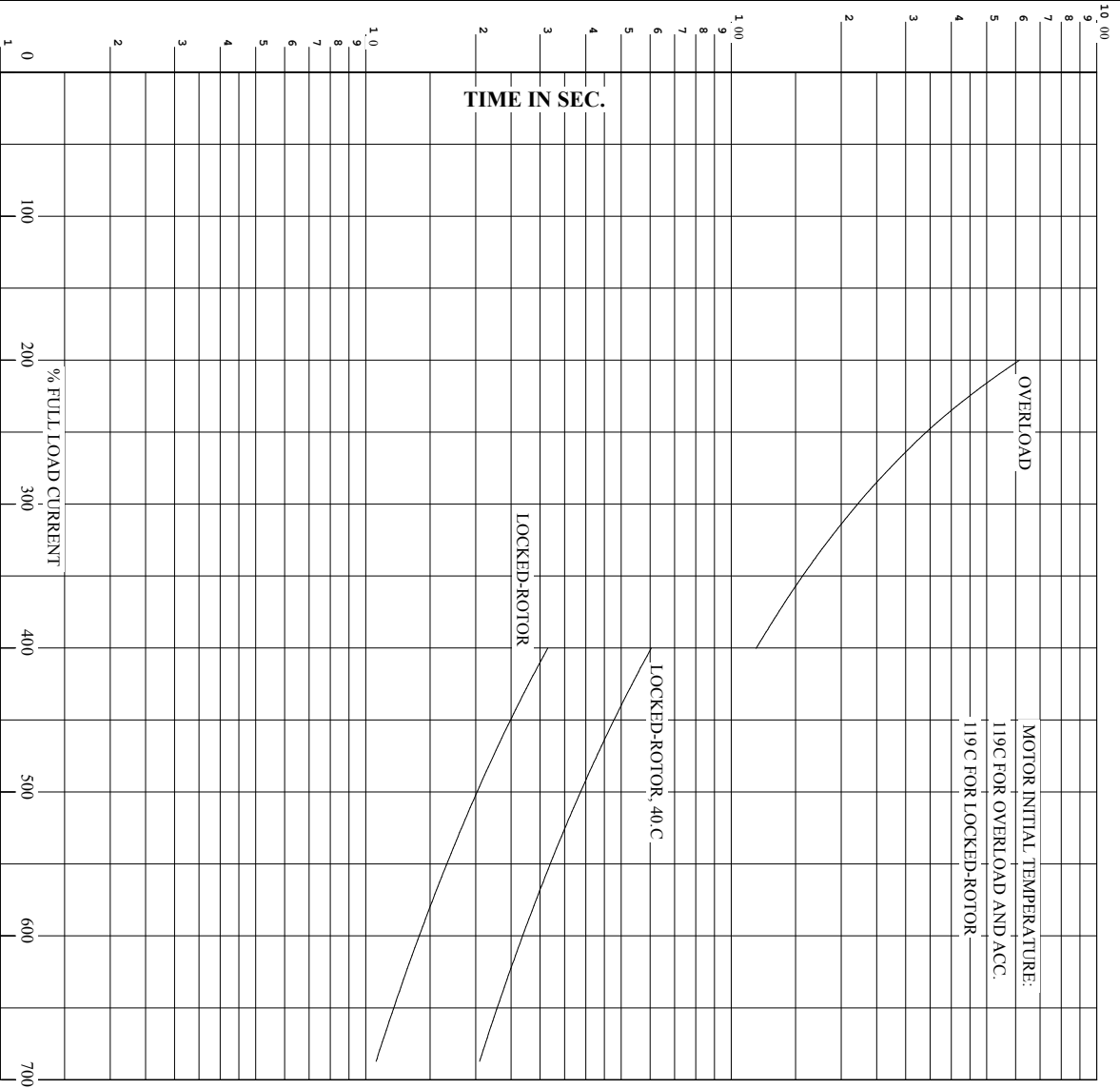
BALDOR

DR. BY P.B. GREENE
 CK. BY K.W. KNAOUFF
 APP. BY K.W. KNAOUFF
 DATE 02/08/01

A-C MOTOR PERFORMANCE CURVES A44WG1592-R001
 ISSUE DATE 12/18/10

Printed on 12/18/10 7:50 @ pscs-motoreng

RET. S.O. RPM 3565 S.F. 1.15 ROTOR 418143-14-CE
 FRAME 444TS VOLTS 575 NEMA DESIGN B TEST S.O. TYPICAL DATA
 HP 125 AMPS 109 CODE LETTER F TEST DATE ---
 TYPE P DUTY CONT ENCLOSURE TEFEC STATOR RES. @ 25 °C. 0503
 PHASE/HERTZ 3/60 AMB °C/INSUL 40/F E/S 497511 OHMS (BETWEEN LINES)



REMARKS: THERMAL LIMIT CURVE
 SUIT FOR 1.15 SF ON SINEWAVE POWER ONLY
 XE MOTOR

AMPERES SHOWN FOR 575 VOLT CONNECTION, IF OTHER VOLTAGE CONNECTIONS ARE AVAILABLE, THE AMPERES WILL VARY INVERSELY WITH THE RATED VOLTAGE.



DR. BY P.B. GREENE
 CK. BY K.W. KANOUIFF
 App. BY K.W. KANOUIFF
 DATE 02/08/01

A-C MOTOR
PERFORMANCE A44WG1S92-R001
CURVES ISSUE DATE 12/18/10

617427-064

DUTY MASTER ALTERNATING CURRENT MOTORS

SQUIRREL-CAGE INDUCTION

ENCLOSURE: TOTALLY ENCLOSED

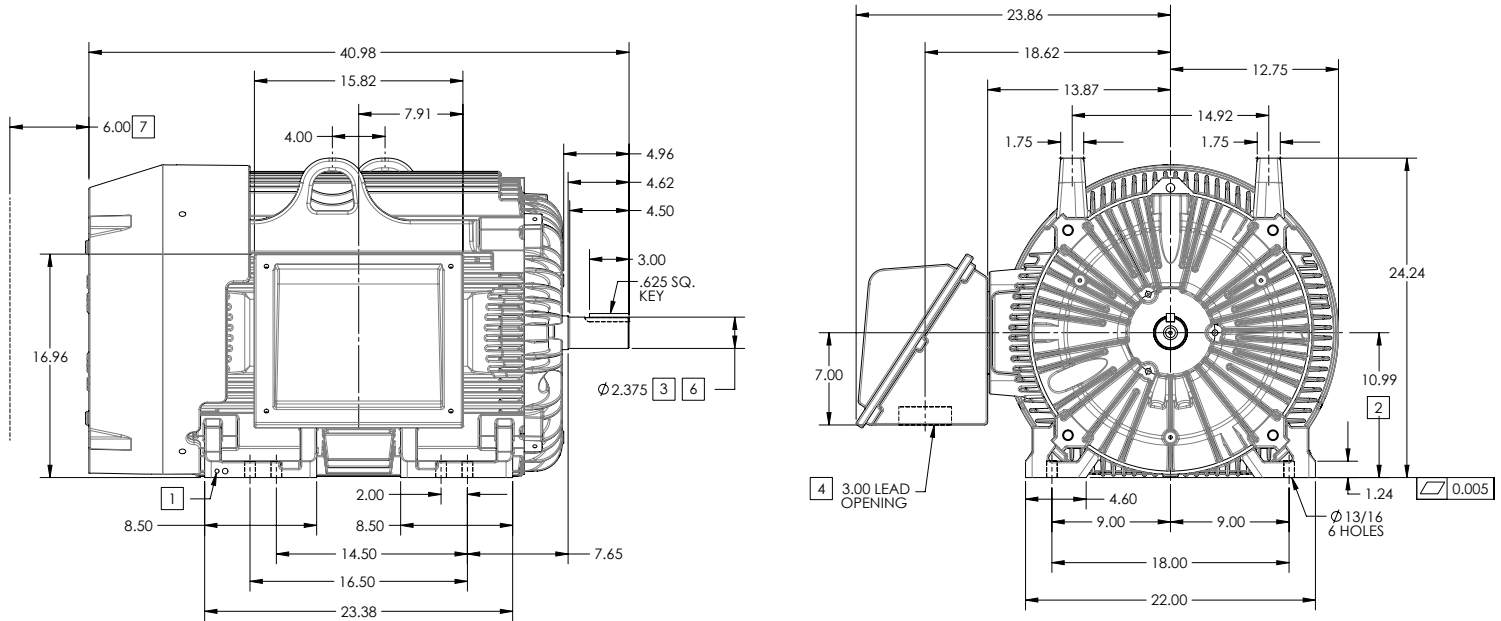
FRAME G445TS ABOVE NEMA RATINGS

COOLING: FAN COOLED

MOUNTING: FOOT

INCLUDES 444TS FRAME MOUNTING HOLES

841XL ENCLOSURE ENHANCEMENT



1. GROUND HOLES QTY 1 1/2-13 TAP; QTY 1 3/8-16 TAP
2. VARIES +.00,-.06
3. VARIES +.00,-.001
4. ON STANDARD MOTORS THIS IS CONDUIT SIZE. ON XT AND CORROSION PROOF MOTOR THIS IS PIPE TAP.
5. MOTOR WEIGHTS MAY VARY BY 15% DEPENDING ON RATING.
6. SHAFT TIR = 0.0015IN FOR BALL BEARING MOTORS AND 0.002IN FOR ROLLER BEARING CONSTRUCTION
7. OBSTRUCTION MUST NOT ENCROACH ON AIR INLET

5 WEIGHT (LBS): 2100

DRIVE END AIR DEFLECTOR IS ONLY INCLUDED WHEN NECESSARY.

DIMENSIONS ARE IN INCHES; SEE SHEET 2 FOR DIMENSIONS IN MILLIMETERS

CUSTOMER IS RESPONSIBLE FOR DETERMINING THAT MOTOR PERFORMANCE IS SUITABLE IN THE APPLICATION.

CONDUIT BOX LOCATED ON OPPOSITE SIDE WHEN F-2. IF MOUNTING CLEARANCE DETAILS ARE REQUIRED, CONSULT FACTORY. MAXIMUM PERMISSIBLE SHAFT RUNOUT WHEN MEASURED AT END OF STANDARD SHAFT EXTENSION IS .003" T.I.R. TO 5 INCH DIA.

SHEET NUMBER
1 OF 2
F907-27-064

REV. D	VERSION: 04	REVISED: 08-29-51 01/16/2014	TDR: 000000834927
MODEL NO.	617427-064	REF:	
BY: RAGSSI	Material:		

BALDOR
G445TS-444TS STD - FOOTED - SIDE-CENTER C/B - 841XL

617427-064

617427-064

DUTY MASTER ALTERNATING CURRENT MOTORS

SQUIRREL-CAGE INDUCTION

ENCLOSURE: TOTALLY ENCLOSED

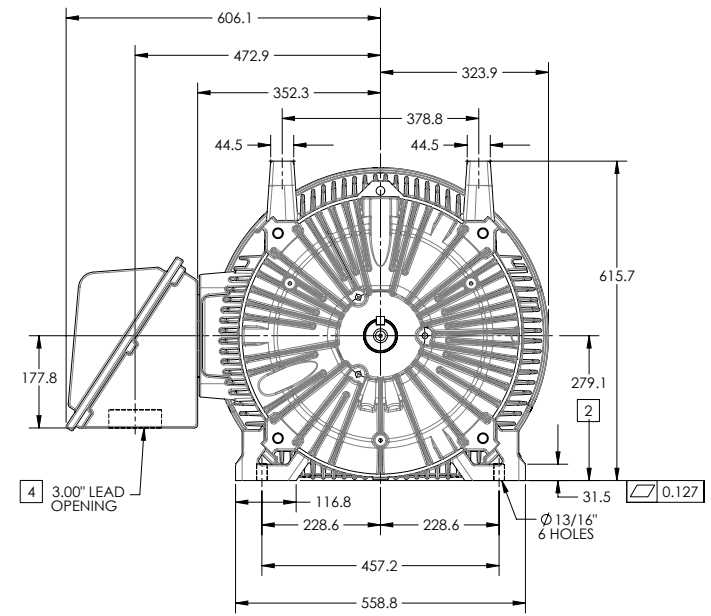
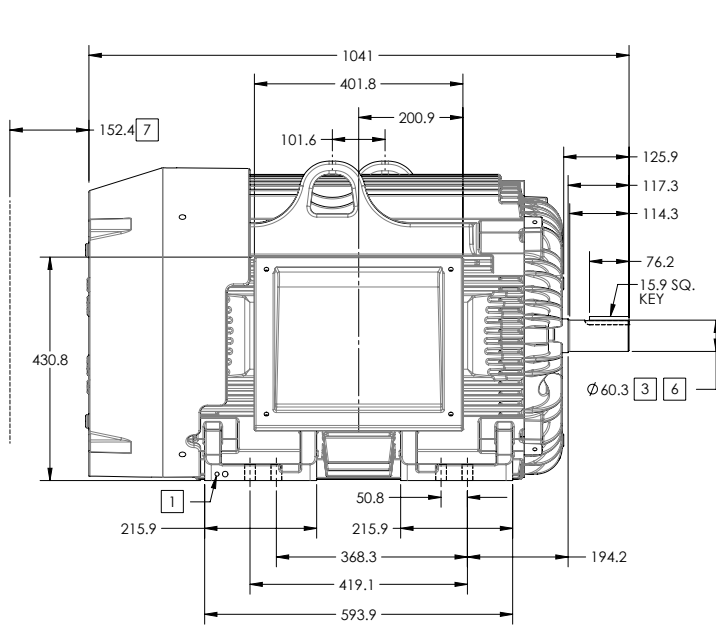
FRAME G445TS ABOVE NEMA RATINGS

COOLING: FAN COOLED

MOUNTING: FOOT

INCLUDES 444TS FRAME MOUNTING HOLES

841XL ENCLOSURE ENHANCEMENT



1. GROUND HOLES QTY 1 1/2-13 TAP; QTY 1 3/8-16 TAP
2. VARIES +.00,-.06
3. VARIES +.00,-.001
4. ON STANDARD MOTORS THIS IS CONDUIT SIZE. ON XT AND CORROSION PROOF MOTOR THIS IS PIPE TAP.
5. MOTOR WEIGHTS MAY VARY BY 15% DEPENDING ON RATING.
6. SHAFT TIR = 0.038MM FOR BALL BEARING MOTORS AND 0.051MM FOR ROLLER BEARING CONSTRUCTION
7. OBSTRUCTION MUST NOT ENCR OACH ON AIR INLET

[5] WEIGHT (KGS): 950

DRIVE END AIR DEFLECTOR IS ONLY INCLUDED WHEN NECESSARY.

DIMENSIONS ARE IN MILLIMETERS; SEE SHEET 1 FOR DIMENSIONS IN INCHES

CUSTOMER IS RESPONSIBLE FOR DETERMINING THAT MOTOR PERFORMANCE IS SUITABLE IN THE APPLICATION.

CONDUIT BOX LOCATED ON OPPOSITE SIDE WHEN F-2. IF MOUNTING CLEARANCE DETAILS ARE REQUIRED, CONSULT FACTORY. MAXIMUM PERMISSIBLE SHAFT RUNOUT WHEN MEASURED AT END OF STANDARD SHAFT EXTENSION IS .08 MM T.I.R. TO 127 MM DIA.

SHEET NUMBER
2 OF 2

617427-064

REV. D	VERSION: 04	REVISED: 08-29-51 01/16/2014	TDR: 00000834927
MODEL NO.	617427-064	REF:	
BY: RAGSSI	Material:		

BALDOR
G445TS-444TS STD - FOOTED - SIDE-CENTER C.B. - 841XL

617427-064

416820-036

A-C MOTOR
 CONNECTION DIAGRAM
 STANDARD 3 LEAD CONNECTED



(N.P. 1575-BA)

416820-036

REV. DESC: LOADED TO BUS, C/R 335225		
REV. LTR: -	VERSION: 00	TDR: 000000538207
FILE: \MGA\00000\682	REVISED: 11:54:06 04/30/2010	
MTL: -	BY: RAGRA	

BALDOR

CONN DIAG - STANDARD 3 LEAD

SH 1 of 1

Marketing maintained PDF of MN408:

<http://www.baldor.com/support/Literature/Load.ashx/MN408?ManNumber=MN408>

Marketing maintained PDF of MN416:

<http://www.baldor.com/support/Literature/Load.ashx/MN416?ManNumber=MN416>