

BALDOR® • RELIANCE

Product Information Packet

EJMM3154T-G

1.5HP, 1755RPM, 3PH, 60HZ, 145JM, 3522M, OPSB

Part Detail							
Revision:	H	Status:	PRD/A	Change #:		Proprietary:	No
Type:	AC	Prod. Type:	3522M	Elec. Spec:	35WGM495	CD Diagram:	CD0005
Enclosure:	OPSB	Mfg Plant:		Mech. Spec:	35Z929	Layout:	35LYZ929
Frame:	145JM	Mounting:	F1	Poles:	04	Created Date:	12-06-2011
Base:	RG	Rotation:	R	Insulation:	H	Eff. Date:	01-12-2017
Leads:	9#18					Replaced By:	
Literature:		Elec. Diagram:					

Nameplate NP1259L												
CAT.NO.	EJMM3154T-G											
SPEC.	35Z929M495G1											
HP	1.5											
VOLTS	230/460											
AMP	4.4/2.2											
RPM	1755											
FRAME	145JM					HZ	60			PH	3	
SER.F.	1.15					CODE	L		DES	B	CL	H
NEMA-NOM-EFF	86.5					PF	72					
RATING	40C AMB-CONT											
CC	010A								USABLE AT 208V	4.5		
DE	6206					ODE	6203					
ENCL	OPSB					SN						

Parts List		
Part Number	Description	Quantity
SA235514	SA 35Z929M495G1	1.000 EA
RA222477	RA 35Z929M495G1	1.000 EA
NS2512A01	INSULATOR, CONDUIT BOX X	1.000 EA
35CB3009	35 CB W/1.09 DIA. LEAD HOLE @ 6:	1.000 EA
51XB1016A07	10-16 X 7/16 HXWSSLD SERTYB	2.000 EA
11XW1032G06	10-32 X .38, TAPTITE II, HEX WSHR SLTD U	1.000 EA
18XN1032A06	10-32X3/8 FLAT HD SLTD	1.000 EA
35FE3201A01	FREP ASSEMBLY FOR ROUTING	1.000 EA
HW4500A01	1641B(ALEMITE)400 UNIV, GREASE FITT	1.000 EA
HA1100A03	SCREEN, RODENT	1.000 EA
51XT1032A04	10-32X1/4 HX WA SL SR TYT (F/S)	4.000 EA
HW1000A10	#10 FLAT WASHER (SAE)	4.000 EA
HW5100A03SP	WAVY WASHER (W1543-017)	1.000 EA
35EP3401A03	PU ENDPLATE -OPEN W/SCREENS & GREASER W/	1.000 EA
HW4500A01	1641B(ALEMITE)400 UNIV, GREASE FITT	1.000 EA
HA1102A08	RODENT SCREEN 35 OPEN FACE MTD	1.000 EA
51XT1032A04	10-32X1/4 HX WA SL SR TYT (F/S)	4.000 EA
51XN1032A20	10-32 X 1 1/4 HX WS SL SR	2.000 EA
35CB4521	35 LIPPED CB LID (GALV & PHOSPH)	1.000 EA
51XW0832A07	8-32 X .44, TAPTITE II, HEX WSHR SLTD SE	4.000 EA
HA1005A02	SLINGER, OD 2.00, ID 1.14, 206 BRG,	1.000 EA
HW2501D13	KEY, 3/16 SQ X 1.375	1.000 EA
HA7000A01	KEY RETAINER 7/8" DIA SHAFT	1.000 EA
85XU0407S04	4X1/4 U DRIVE PIN STAINLESS	2.000 EA

Parts List (continued)		
Part Number	Description	Quantity
LB1459	AEGIS SGR LABEL "AEGISLBL-100"	1.000 EA
HW1000A10	#10 FLAT WASHER (SAE)	4.000 EA
MJ1000A02	GREASE, POLYREX EM EXXON (USe 4824-15A)	0.050 LB
HA3100A14	THRUBOLT 10-32 X 7.875	4.000 EA
MG1000Y03	MUNSELL 2.53Y 6.70/ 4.60, GLOSS 20,	0.017 GA
35AD2005A01	BAFFLE PLATE,MOD 35-SLTD BAND MTRS GL.F.	1.000 EA
LC0005E01	CONN.DIA./WARNING LABEL (LC0005/LB1119N)	1.000 EA
NP1259L	ALUM SUPER-E UL CSA-EEV CC NEMA PREMIUM	1.000 EA
36PA1000	PKG GRP, PRINT PK1016A06	1.000 EA
MN416A01	TAG-INSTAL-MAINT no wire (1000/bx) 11/14	1.000 EA

AC Induction Motor Performance Data

Record # 35594 - Typical performance - not guaranteed values

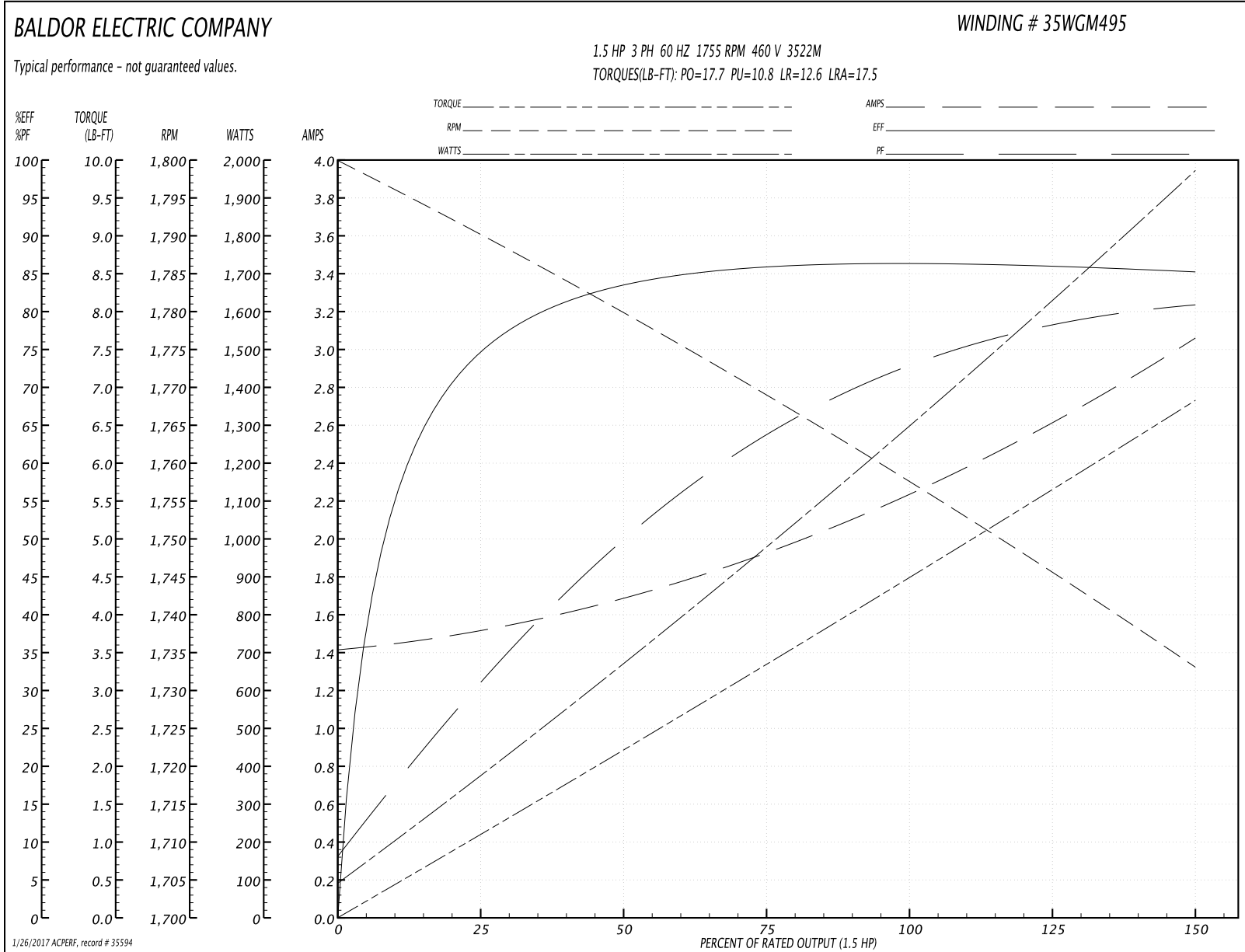
Winding: 35WGM495-R002	Type: 3522M	Enclosure: OPSB
-------------------------------	--------------------	------------------------

Nameplate Data				460 V, 60 Hz: High Voltage Connection	
Rated Output (HP)	1.5			Full Load Torque	4.46 LB-FT
Volts	230/460			Start Configuration	direct on line
Full Load Amps	4.4/2.2			Breakdown Torque	17.7 LB-FT
R.P.M.	1755			Pull-up Torque	10.8 LB-FT
Hz	60	Phase	3	Locked-rotor Torque	12.6 LB-FT
NEMA Design Code	B	KVA Code	L	Starting Current	17.5 A
Service Factor (S.F.)	1.15			No-load Current	1.43 A
NEMA Nom. Eff.	86.5	Power Factor	72	Line-line Res. @ 25°C	11.1 Ω
Rating - Duty	40C AMB-CONT			Temp. Rise @ Rated Load	34°C
S.F. Amps				Temp. Rise @ S.F. Load	40°C
				Locked-rotor Power Factor	53
				Rotor inertia	0.13 LB-FT ²

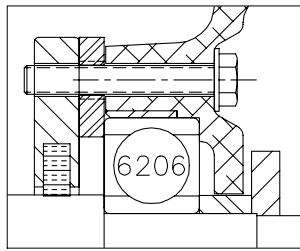
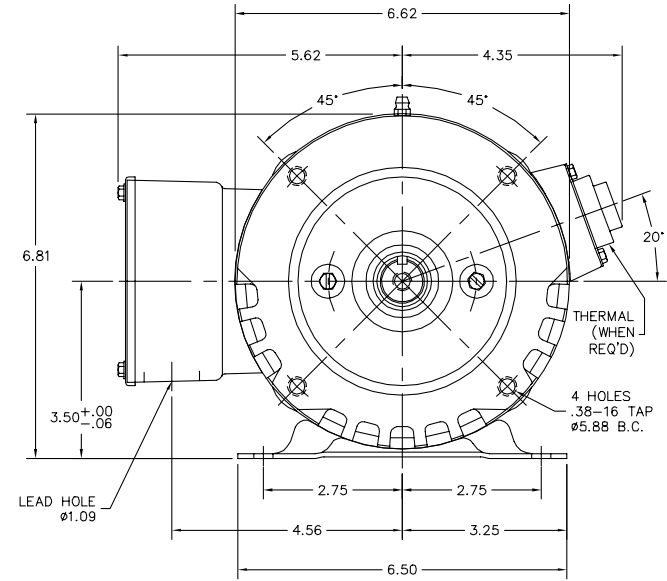
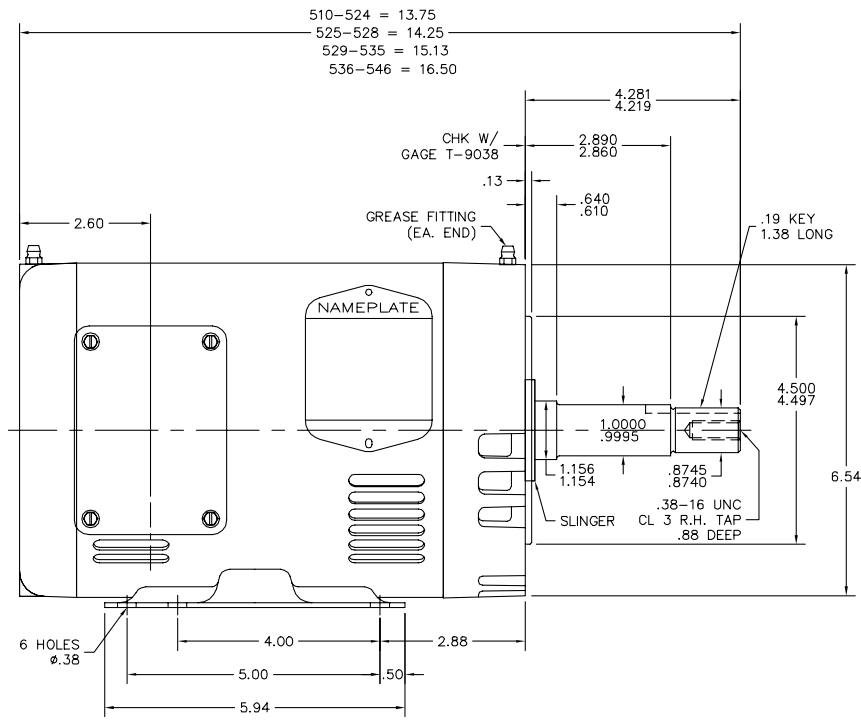
Load Characteristics 460 V, 60 Hz, 1.5 HP

% of Rated Load	25	50	75	100	125	150	S.F.
Power Factor	32	50	63	72	78	81	76
Efficiency	74.7	83.3	85.9	86.5	86.1	85.2	86.3
Speed	1790	1780	1769	1758	1746	1733	1751
Line amperes	1.5	1.67	1.93	2.24	2.61	3.05	2.46

Performance Graph at 460V, 60Hz, 1.5HP Typical performance - Not guaranteed values



35LYZ929



PULLEY END DETAIL

CUSTOMER IS RESPONSIBLE FOR DETERMINING THAT BALDOR'S PRODUCT WILL PERFORM SUITABLY IN THE INTENDED APPLICATION.

REV. DESC: NEW	VERSION: 00	TDR: 000000721637
REV. LTR: -	REVISED: 11:56:09 12/06/2011	BY: ENSTEKO
FILE: \AAA\00187\434		
MTL: -		

BALDOR

HOR 143-5JM OPSB AEGIS INT GRD, SCREENS

SH 1 of 1

35LYZ929

CD0005

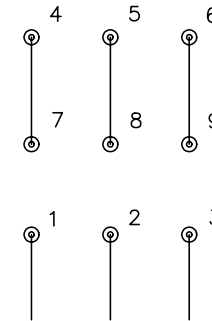


LOW VOLTAGE
(2Y)



LINE

HIGH VOLTAGE
(1Y)



LINE

NOTES:

1. INTERCHANGE ANY TWO LINE LEADS TO REVERSE ROTATION.
2. OPTIONAL THERMOSTATS ARE PROVIDED WHEN SPECIFIED.
3. ACTUAL NUMBER OF INTERNAL PARALLEL CIRCUITS MAY BE A MULTIPLE OF THOSE SHOWN ABOVE.
4. LEAD COLORS ARE OPTIONAL. LEADS MUST ALWAYS BE NUMBERED AS SHOWN.

REV. DESC: REVISE TO SHOW OPTIONAL COLORS			
REV. LTR: E	BY: JLP	REVISED: 01/19/99 10:15	TDR: 0171435
900003		FILE: AAA00005140	MDL: -
		MTL: -	

BALDOR ELECTRIC Co.

3PH, DV, 9 LEADS

CD0005