

BALDOR® • **RELIANCE**

Product Information Packet

EL11306

.75HP,3450RPM,1PH,60HZ,56,3428LC,ODP,F1

Part Detail							
Revision:	D	Status:	PRD/A	Change #:		Proprietary:	No
Type:	AC	Prod. Type:	3428LC	Elec. Spec:	34WGS943	CD Diagram:	CD0055
Enclosure:	ODP	Mfg Plant:		Mech. Spec:	34F353	Layout:	34LYF353
Frame:	56	Mounting:	F1	Poles:	02	Created Date:	02-28-2014
Base:	RG	Rotation:	R	Insulation:	F	Eff. Date:	10-10-2014
Leads:	6#18					Replaced By:	
Literature:		Elec. Diagram:					

Nameplate NP3155L										
CAT.NO.	EL11306									
SPEC.	34F353S943G1									
HP	.75									
VOLTS	115/230									
AMP	6.3/3.3									
RPM	3450									
FRAME	56				HZ	60			PH	1
SER.F.	1.25		CODE	J	DES	N		CL	F	
F.L. AVG. EFF.	76.2		PF	95						
RATING	40C AMB-CONT									
CC									USABLE AT 208V	
DE	6203				ODE	6203				
ENCL	ODP		SN							
	SFA 8.4/4.2									

Parts List		
Part Number	Description	Quantity
SA277366	SA 34F353S943G1	1.000 EA
RA263917	RA 34F353S943G1	1.000 EA
OC3030F11SP	CYL OIL CAP 30MFD/370V	1.000 EA
EC1400A03SP	ELEC CAP, 400-480 MFD, 125V, 1.81D X 3.	1.000 EA
NS2512A01	INSULATOR, CONDUIT BOX X	1.000 EA
34CB3002A	CB CAST W/.88 DIA HOLE	1.000 EA
51XB1016A07	10-16 X 7/16 HXWSSLD SERTYB	2.000 EA
11XW1032G06	10-32 X .38, TAPTITE II, HEX WSHR SLTD U	1.000 EA
51XW0832A07	8-32 X .44, TAPTITE II, HEX WSHR SLTD SE	2.000 EA
SP1006A01	TERM. BOARD, MODE 35 SW X H-23655	1.000 EA
34EP3210A01SP	FR ENDPLATE, MACH	1.000 EA
34CB3801	CAPACITOR BOX, DIE CAST	1.000 EA
51XB1214A08	12-14 X 1/2HX WS SL SR TYBX	2.000 EA
34GS5003A01	FOAM SLEEVE, ID = 2 1/16" X 4 3/8"	1.000 EA
HW5100A03SP	WAVY WASHER (W1543-017)	1.000 EA
34EP3212A02	PU ENDPLATE, MODEL 34 OPEN	1.000 EA
XY1032A02	10-32 HEX NUT DIRECTIONAL SERRATION	4.000 EA
34CB4517	CB LID 4 MTG HOLES .22 DIA STAMPED, FOR	1.000 EA
51XW0832A07	8-32 X .44, TAPTITE II, HEX WSHR SLTD SE	4.000 EA
HW2501D13	KEY, 3/16 SQ X 1.375	1.000 EA
HA7000A04	KEY RETAINER 0.625 DIA SHAFTS	1.000 EA
10XF0440S02	04-40 X 1/8 TYPE F HEX HD STAINLESS STIC	2.000 EA
MG1000Y03	MUNSELL 2.53Y 6.70/ 4.60, GLOSS 20,	0.014 GA
SP5181A01	MODEL 35 LC TORQ STAT SWITCH LEAD ASSY	1.000 EA

Parts List (continued)		
Part Number	Description	Quantity
HA3100A45	THRUBOLT 10-32 X 8.875	4.000 EA
MN416A01	TAG-INSTAL-MAINT no wire (1000/bx) 11/14	1.000 EA
LC0001A01	CONN LABEL / WARNING LABEL (LC0001 / LB1	1.000 EA
NP3155L	ALUM SUPER-E UL CSA CC "SEMS"	1.000 EA
35PA1000	PKG GRP, PRINT PK1008A06	1.000 EA

AC Induction Motor Performance Data
Record # 44911 - Typical performance - not guaranteed values

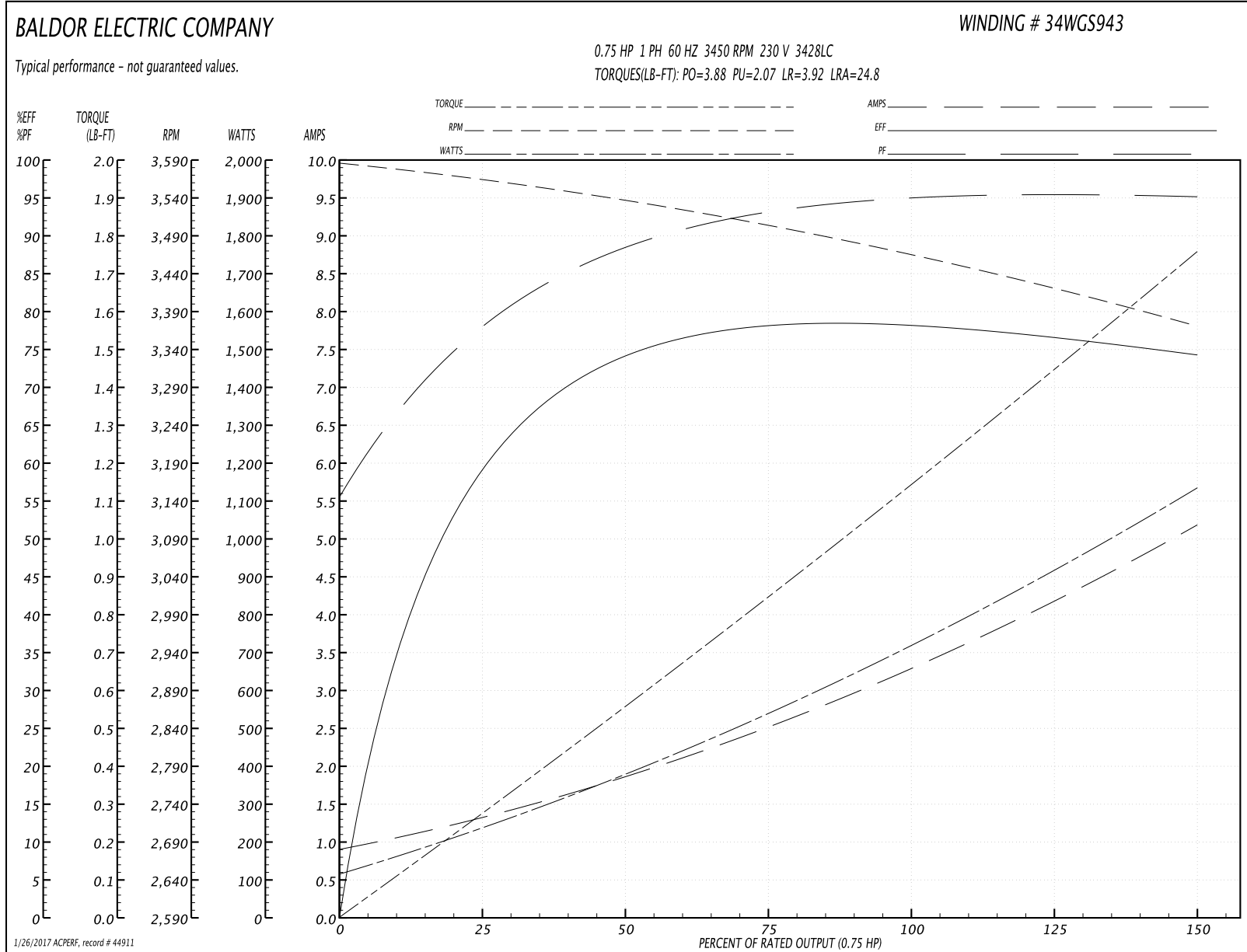
Winding: 34WGS943-R001	Type: 3428LC	Enclosure: OPEN
-------------------------------	---------------------	------------------------

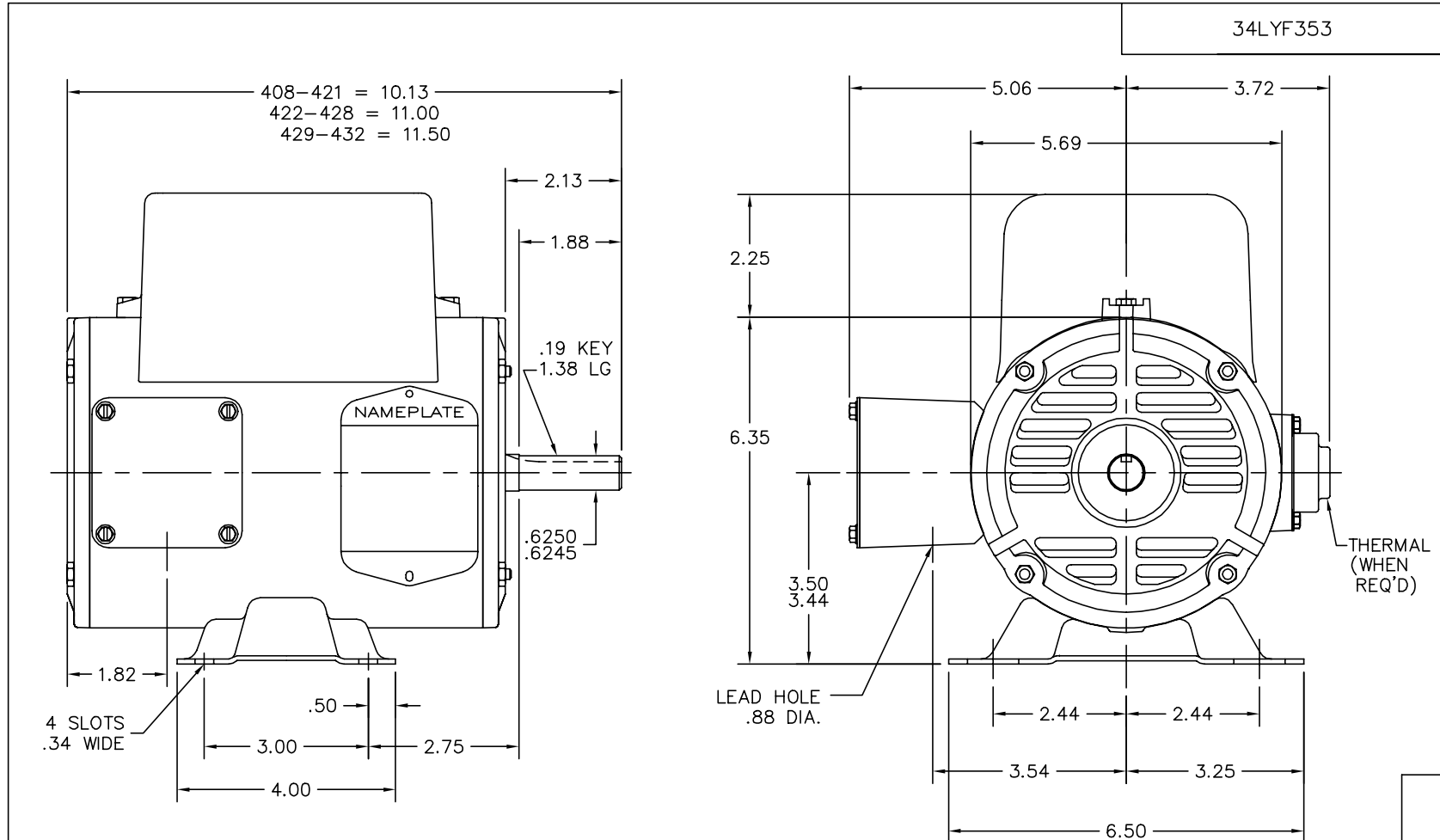
Nameplate Data				230 V, 60 Hz: High Voltage Connection	
Rated Output (HP)	.75			Full Load Torque	1.14 LB-FT
Volts	115/230			Start Configuration	direct on line
Full Load Amps	6.6/3.3			Breakdown Torque	3.88 LB-FT
R.P.M.	3450			Pull-up Torque	2.07 LB-FT
Hz	60	Phase	1	Locked-rotor Torque	3.92 LB-FT
NEMA Design Code	N	KVA Code	J	Starting Current	24.8 A
Service Factor (S.F.)	1.25			No-load Current	0.961 A
NEMA Nom. Eff.	76.2	Power Factor	95	Line-line Res. @ 25°C	2.4012 Ω A Ph 2.118 Ω B Ph
Rating - Duty	40C AMB-CONT			Temp. Rise @ Rated Load	12°C
S.F. Amps	8.4/4.2			Temp. Rise @ S.F. Load	16°C

Load Characteristics 230 V, 60 Hz, 0.75 HP

% of Rated Load	25	50	75	100	125	150	S.F.
Power Factor	77	89	93	95	95	95	95
Efficiency	62.6	74.2	78.2	77.5	76.1	74.7	76.1
Speed	3567.6	3537.1	3504.2	3465	3419.8	3372.1	3420
Line amperes	1.23	1.84	2.51	3.32	4.21	5.14	4.21

Performance Graph at 230V, 60Hz, 0.75HP Typical performance - Not guaranteed values





34LYF353

34LYF353

CUSTOMER IS RESPONSIBLE FOR DETERMINING THAT BALDOR'S PRODUCT WILL PERFORM SUITABLY IN THE INTENDED APPLICATION.

REV. DESC: UPDATE TITLE BLOCK & DIMENSIONS		
REV. LTR: C	VERSION: 02	TDR: 000000777676
FILE: \AAA\00037\204		REVISED: 08:53:11 12/17/2012
MTL: -		BY: ENJERWO

BALDOR

STD HOR 34LC 56 OPEN
SH 1 of 1

CD0055



REV. DESC: REVISE TO SHOW OPTIONAL COLORS			
REV. LTR: D	BY: JLP	REVISED: 04/08/99 1:17	TDR: 0178636
99000		FILE: AAA00007414	MDL: -
		MTL: -	

BALDOR ELECTRIC Co.

TYPE LC, DV, REV, 6 LEADS

CD0055