

BALDOR® • ***RELIANCE***

Product Information Packet

EM251502T-4

500HP,3565RPM,3PH,60HZ,449TS,A44128M,DP

Part Detail							
Revision:	D	Status:	PRD/A	Change #:		Proprietary:	No
Type:	AC	Prod. Type:	A44128M	Elec. Spec:	A44WG2745	CD Diagram:	416820-008
Enclosure:	DP	Mfg Plant:		Mech. Spec:		Layout:	604989-501
Frame:	449TS	Mounting:	F1	Poles:	02	Created Date:	02-12-2015
Base:		Rotation:	R	Insulation:	B	Eff. Date:	01-24-2017
Leads:	6#1 (02 per group)					Replaced By:	
Literature:		Elec. Diagram:					

Nameplate NP2496L	
MOBIL POLYREX EM	

Nameplate NP2349L											
SPEC NO.	A44-6890-2745			CAT.NO.	EM251502T-4			FRAME	449TS		
HP	500	VOLTS	460	PHASE	3	DESIGN	B	TYPE	P		
RPM	3565	AMPS	544	HZ	60	AMB	40	SF	1.15		
DRIVE END BEARING	65BC03J30X			DUTY	CONT		INSUL.CLASS	F			
OPP D.E. BEARING	65BC03J30X			ENCL	DP		CODE	F			
SER.NO.				POWER FACTOR	89		NEMA-NOM-EFFICIENCY	96.2			
							MAX CORR KVAR	60		GUARANTEED EFFICIENCY	95.4
							NEMA NOM/CSA QUOTED EFF				
							MOTOR WEIGHT	2595			

Parts List		
Part Number	Description	Quantity
SA293632	SA A44-6890-2745	1.000 EA
RA279725	RA A44-6890-2745	1.000 EA
421948044	LABEL, MYLAR	1.000 EA
NP2496L	MOTOR LUBE NAMEPLATE	1.000 EA
000613006PU	N/P (RELEASE QTY 10,000) UL CSA LABLE	1.000 EA
000692000FF	N/P	1.000 EA
000692000VD	LABEL WARNING	1.000 EA
NP2349L	SUPER-E ,SS, CSA, CSA SUPER-E	1.000 EA
702611001A	BAFFL 440 SUB PAINT	1.000 EA
089438082A	BRKT 440 089438081WCB	1.000 EA
004824015A	GREASE POLYREX EM	0.540 LB
032018028EK	HHCS 5/8-11X3-1/2L PLTD	4.000 EA
032018028CK	HHCS 3/8-16X3-1/2 PLTD.	3.000 EA
410700004F	WSHR	1.000 EA
034017012AB	LCKW 1/4 STD. PLATED	4.000 EA
405851012AD	SPACE	4.000 EA
032018010AK	HHCS 1/4-20X1-1/4L PLTD.	4.000 EA
034000012AB	WSHR 1/4 STD. PLATED	4.000 EA
034690002AB	"unbulked" PPLG 1/4" PLTD.	1.000 EA
035000001A	ALFTG 1/8" 1610-BL	1.000 EA
035000001A	ALFTG 1/8" 1610-BL	1.000 EA
405851012AD	SPACE	4.000 EA
034690002AB	"unbulked" PPLG 1/4" PLTD.	1.000 EA
034017012AB	LCKW 1/4 STD. PLATED	4.000 EA

Parts List (continued)		
Part Number	Description	Quantity
034000012AB	WSHR 1/4 STD. PLATED	4.000 EA
032018010AK	HHCS 1/4-20X1-1/4L PLTD.	4.000 EA
089438082A	BRKT 440 089438081WCB	1.000 EA
702611001A	BAFFL 440 SUB PAINT	1.000 EA
032018028EK	HHCS 5/8-11X3-1/2L PLTD	4.000 EA
032018028CK	HHCS 3/8-16X3-1/2 PLTD.	3.000 EA
406056008A	GASKET, TERBD 440	1.000 EA
032018008DK	HHCS 1/2-13X1 PLATED	4.000 EA
702616012T	CONDUIT BOX	1.000 EA
MG1025Y03	WILKOFAS, 789.701, SUPER E PEARL GOLD	1.000 QT
033775004EA	DRSCR #6-1/4 304 S.S.	2.000 EA
034180024HA	KEY 5/8X5/8X3 L	1.000 EA
604797056	400-447 FRAME 60 X 42	1.000 EA
032510026D	CARRIAGE BOLT - 440	2.000 EA
034001014AB	FLAT WASHER 3/8"PLATED	2.000 EA
034001016AB	WSHR .562ID 1.375OD .109	2.000 EA
033300014AC	HEX NUT, SHIPPING - 400	2.000 EA
604797003C	SHIPPING BAG	1.000 EA
048897010DG	PLUG,ODE BRKT - 360	1.000 EA

REL. S.O.	FRAME	HP	TYPE	PHASE/HERTZ	RPM	VOLTS
	449T	500	P	3/60	3565	460
AMPS	DUTY	AMB °C/INSUL.	S.F.	NEMA DESIGN	CODE LETTER	ENCL.
544	CONT	40/F	1.15	B	F	PXXE
E/S	ROTOR	TEST S.O.	TEST DATE	STATOR RES. @25 °C (OHMS (BETWEEN LINES))		
433535	418143-13-NE	---	---	.00642		

PERFORMANCE

LOAD	HP	AMPERES	RPM	POWER FACTOR %	EFFICIENCY %
NO LOAD	0	122	3600	4.29	0
1/4	125	177	3592	69.6	95.2
2/4	250	281	3584	86.3	96.6
3/4	375	407	3576	89.1	96.7
4/4	500	544	3567	89.3	96.4
5/4	625	684	3557	89.1	96.0

SPEED TORQUE

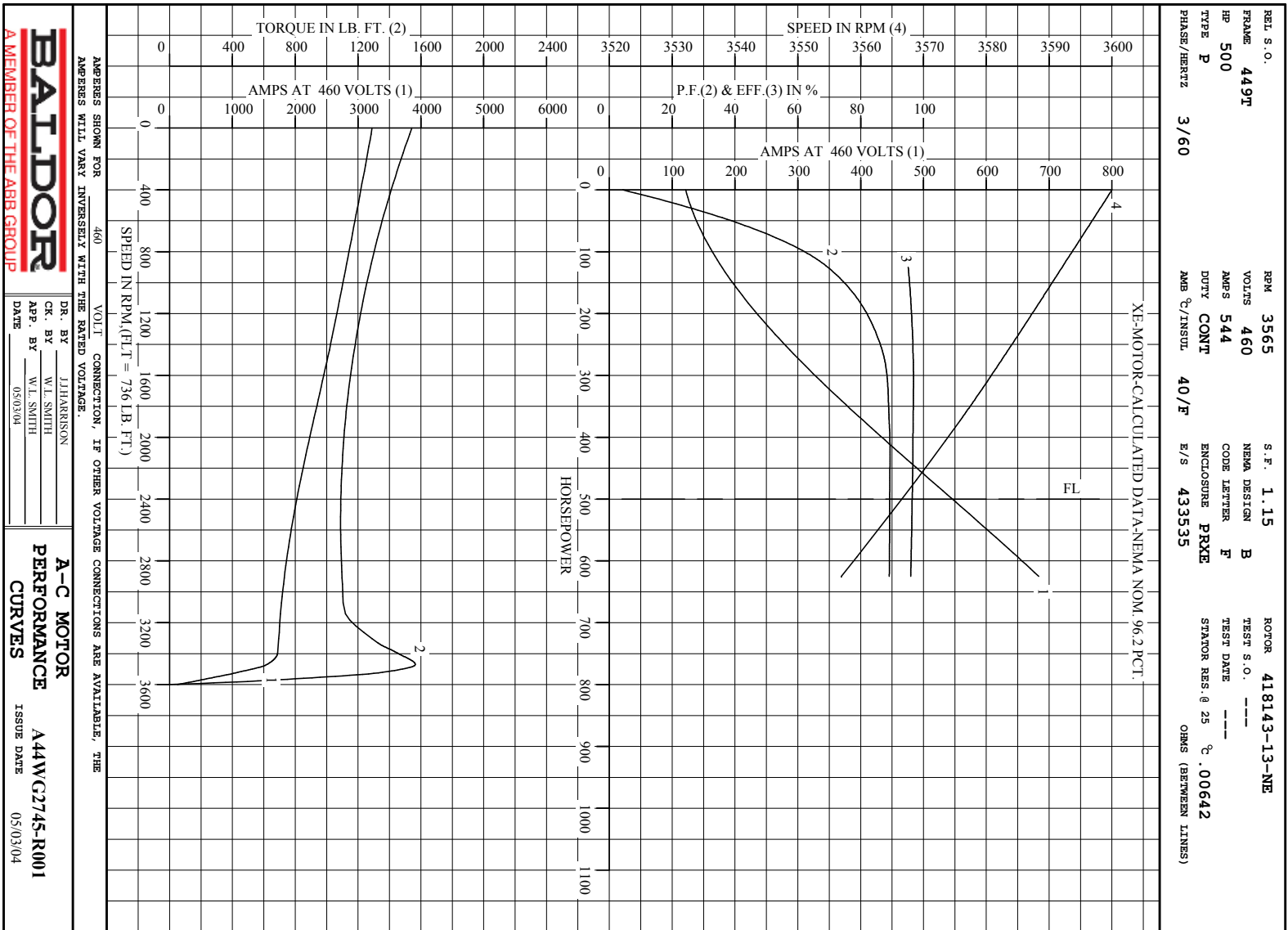
	RPM	TORQUE % FULL LOAD	TORQUE LB.-FT.	AMPERES
LOCKED ROTOR	0	210	1543	3225
PULL UP	2550	148	1089	1957
BREKDOWN	3470	213	1565	1550
FULL LOAD	3567	100	736	544

AMPERES SHOWN FOR 460. VOLT CONNECTION. IF OTHER VOLTAGE CONNECTIONS ARE AVAILABLE, THE AMPERES WILL VARY INVERSELY WITH THE RATED VOLTAGE
 REMARKS : XE-MOTOR--CALCULATED DATA-NEMA NOM. 96.2 PCT.



DR. BY J.J. HARRISON
 CK. BY W.L. SMITH
 APP. BY W.L. SMITH
 DATE 05/03/04

A-C MOTOR PERFORMANCE DATA
 A44WG2745-R001
 ISSUE DATE 05/03/04



Printed on 8/12/15 12:48 @ bengap01.baldor.com

DUTY MASTER ALTERNATING CURRENT MOTORS
SQUIRREL-CAGE INDUCTION

604989-501

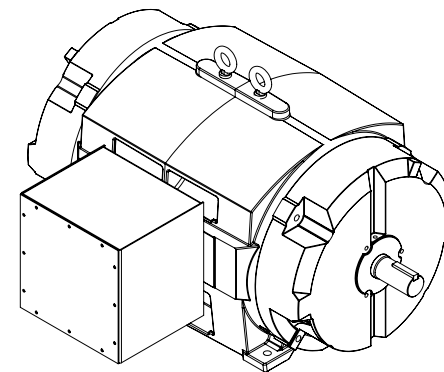
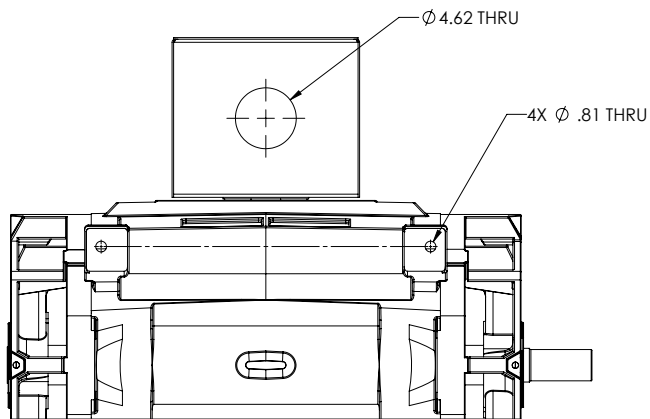
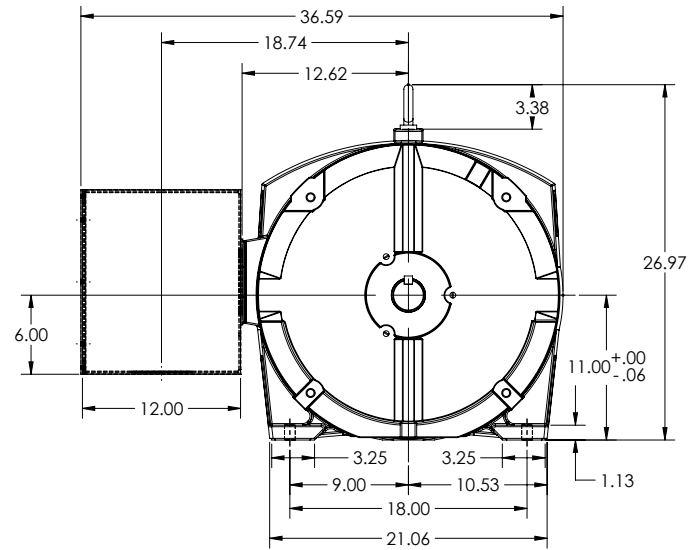
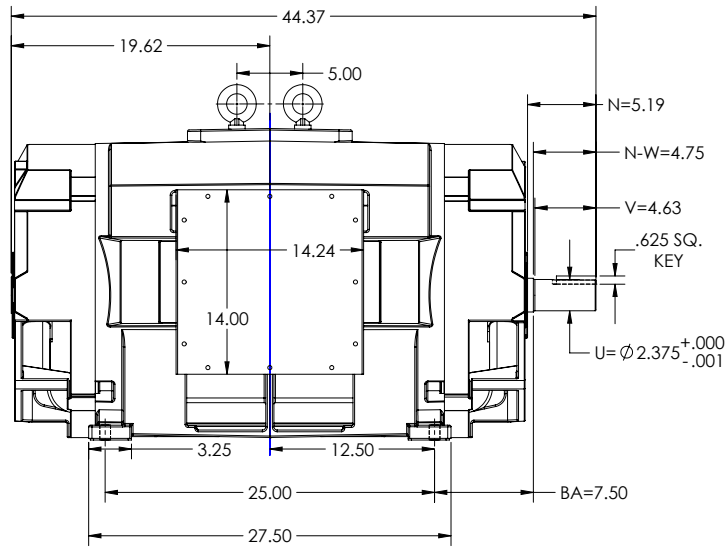
ENCLOSURE: OPEN DRIP-PROOF (PROTECTED)

FRAME E449TS

COOLING: SELF-VENTILATED

MOUNTING: FOOT, F-1

SPECIAL FABRICATED 14 X 14 X 12 STEEL C/BOX



WEIGHT (LBS) 2100/ MAY VARY 15% DEPENDING ON RATING

DIMENSIONS ARE IN INCHES

CUSTOMER IS RESPONSIBLE FOR DETERMINING THAT MOTOR PERFORMANCE IS SUITABLE IN THE APPLICATION.

REV. DESC: CHANGING FROM 6318 TO 6313

REV: B VERSION: 02 REVISED: 02-53-55 03/02/2016 TDR: 00000968603

MODEL NO. 604989-501

BY: RAGRA

BALDOR

E449TS PROT F-1 FT MTG - 24 X 20 X 12 FABRICATED STEEL BOX

SHEET NUMBER
1 OF 1
105-686109

IF MOUNTING CLEARANCE DETAILS ARE REQUIRED, CONSULT FACTORY.

MAXIMUM PERMISSIBLE SHAFT RUNOUT WHEN MEASURED AT END OF STANDARD SHAFT EXTENSION IS .003" MAX. T.I.R.

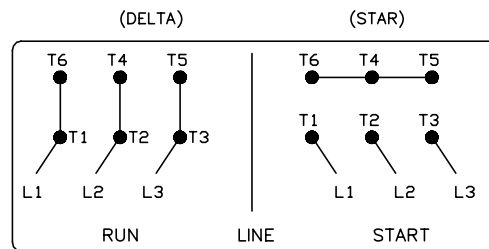
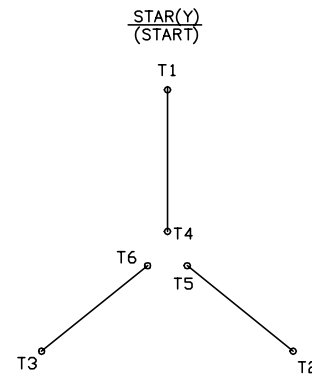
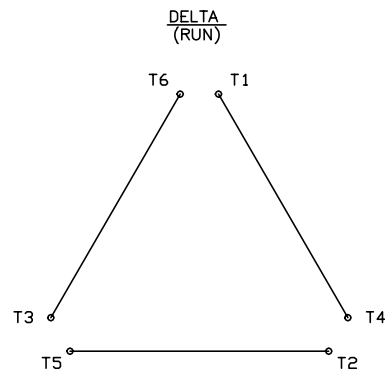
105-686109

416820-008

A-C MOTOR CONNECTION DIAGRAM

STANDARD 6 LEAD

Y START - DELTA RUN



< N. P. 1767-DC >

416820-008

REV. DESC: ADDED T4 TO Y CONNECT DIAGRAM		
REV. LTR: D	VERSION: 04	TDR: 000000847713
FILE: \RAG\00001\808	REVISED: 10: 41: 26 04/08/2014	BY: RAGJSS1
MTL: -	⊙ □	

BALDOR

CONNECT DIAGRAM STD 6 LEAD Y START DELTA RUN

SH 1 of 1

Marketing maintained PDF of MN408:

<http://www.baldor.com/support/Literature/Load.ashx/MN408?ManNumber=MN408>

Marketing maintained PDF of MN416:

<http://www.baldor.com/support/Literature/Load.ashx/MN416?ManNumber=MN416>