

BALDOR® • ***RELIANCE***

Product Information Packet

EM2531T-12

25HP, 1770RPM, 3PH, 60HZ, 284T, 4046M, OPSB, F1

Part Detail							
Revision:	J	Status:	PRD/A	Change #:		Proprietary:	No
Type:	AC	Prod. Type:	4050M	Elec. Spec:	40WGX794	CD Diagram:	CD0104
Enclosure:	OPSB	Mfg Plant:		Mech. Spec:	40G48	Layout:	40LYG048
Frame:	284T	Mounting:	F1	Poles:	04	Created Date:	01-22-2013
Base:	RG	Rotation:	R	Insulation:	F	Eff. Date:	01-05-2017
Leads:	12#10					Replaced By:	
Literature:		Elec. Diagram:					

Nameplate NP3554L										
CAT.NO.	EM2531T-12			P/N				ENCLOSURE	OPSB	
SPEC.	40G048X794		CC	010A	FRAME	284T		S/N		
HP	25			CLASS	F	HZ	60			
RPM	1770			PH	3	DES	B			
VOLT	230/460			KVA-CODE	G		ODE BRG	6309	DE BRG	6311
AMP	60/30			USABLE AT 208V						
RATING	40C AMB-CONT			NEMA-NOM-EFF			93.6	GREASE POLYREX EM		
PF	82	SER.F.	1.15	VPWM INVERTER READY						
HTR-VOLTS			HTR-AMPS			MAX. SPACE HEATER TEMP.				

Parts List		
Part Number	Description	Quantity
SA257339	SA 40G048X794	1.000 EA
RA244125	RA 40G048X794	1.000 EA
S/P107-000-004	SUPER-E(284 FR. & UP)-CL PLANT,POLYREX E	1.000 EA
HA6361A01	LIFTING LUG FOR 37, 39 & 40 FRAME ZINC	2.000 EA
HA6017	CAST ADAPTER, 40,42 KOBX	1.000 EA
19XW3118A12	.31-18 X .75 HEX WASHER HEAD TAPTITE II	2.000 EA
HW1001A31	LOCKWASHER 5/16, ZINC PLT.591 OD, .319 I	2.000 EA
10CB3000SP	STD KO BOX MODEL 310,312,314 MTRS W/2.00	1.000 EA
19XW3118A12	.31-18 X .75 HEX WASHER HEAD TAPTITE II	4.000 EA
WD1000B16	T&B CX70TN TERMINAL	1.000 EA
51XF2520A08	SCREW, HEX SER SLT HD, ZN 1/4-20 X .50 L	1.000 EA
40EP3200A02	STD FREP OPEN 309 BRG	1.000 EA
HW5100A11	W3917-042 WVY WSHR (WB)	1.000 EA
40EP3200B05	STD PUEP OPEN 311 BRG	1.000 EA
XY3816A12	3/8-16 FINISHED NUT	8.000 EA
10CB3500SP	CONDUIT BOX LID, CAST	1.000 EA
51XW2520A12	.25-20 X .75, TAPTITE II, HEX WSHR SLTD	4.000 EA
HW2501H28	KEY, 1/2 SQ X 3.250	1.000 EA
LB1115N	LABEL,LIFTING DEVICE (ON ROLLS)	1.000 EA
MN416A01	TAG-INSTAL-MAINT no wire (1000/bx) 11/14	1.000 EA
HW4500A03	GREASE FITTING, .125 NPT 1610(ALEMITE) 8	1.000 EA
HW4500A20	1/8NPT SL PIPE PLUG	1.000 EA
HA4051A00	PLASTIC CAP FOR GREASE FITTING	1.000 EA
MJ1000A02	GREASE, POLYREX EM EXXON (USe 4824-15A)	0.050 LB

Parts List (continued)		
Part Number	Description	Quantity
HW4500A03	GREASE FITTING, .125 NPT 1610(ALEMITE) 8	1.000 EA
HW4500A20	1/8NPT SL PIPE PLUG	1.000 EA
HA4051A00	PLASTIC CAP FOR GREASE FITTING	1.000 EA
MG1000Y03	MUNSELL 2.53Y 6.70/ 4.60, GLOSS 20,	0.070 GA
85XU0407S04	4X1/4 U DRIVE PIN STAINLESS	4.000 EA
40AD2002A01	LEXAN BAFFLE 40 FR OPEN	1.000 EA
40AD2002A01	LEXAN BAFFLE 40 FR OPEN	1.000 EA
HA3154A04	THRUBOLT STUD 3/8-16 X 18.750	4.000 EA
LB1119N	WARNING LABEL	1.000 EA
LC0104A01	CONNECTION DIAGRAM	1.000 EA
NP3554L	SS SUPER-E UL CSA-EEV PREM CC	1.000 EA
40PA1000	PACKAGING GROUP	1.000 EA

AC Induction Motor Performance Data

Record # 41055 - Typical performance - not guaranteed values

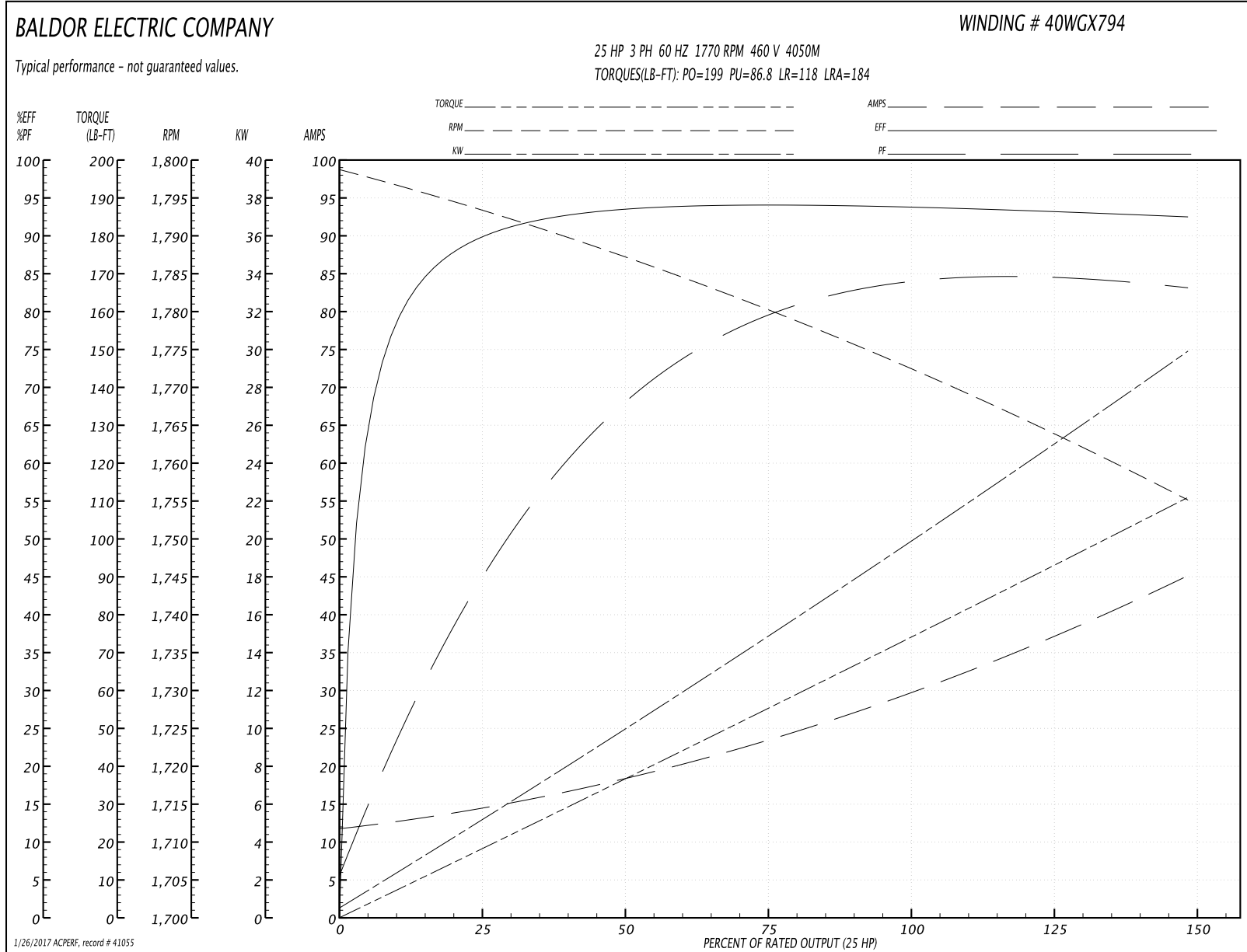
Winding: 40WGX794-R001	Type: 4050M	Enclosure: OPSB
-------------------------------	--------------------	------------------------

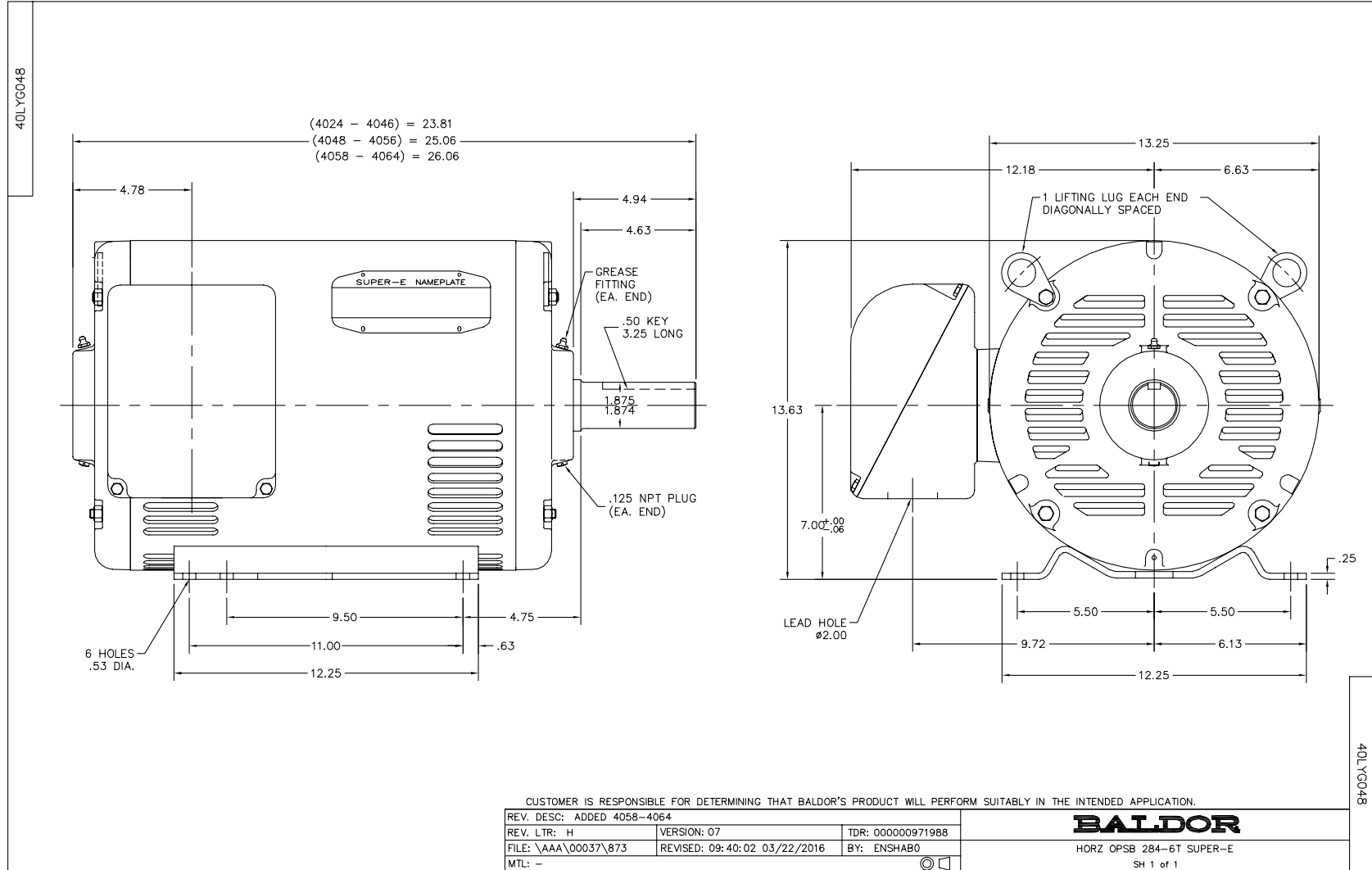
Nameplate Data				460 V, 60 Hz: High Voltage Connection	
Rated Output (HP)	25			Full Load Torque	74.1 LB-FT
Volts	230/460			Start Configuration	direct on line
Full Load Amps	60/30			Breakdown Torque	199 LB-FT
R.P.M.	1770			Pull-up Torque	86.8 LB-FT
Hz	60	Phase	3	Locked-rotor Torque	118 LB-FT
NEMA Design Code	B	KVA Code	G	Starting Current	184 A
Service Factor (S.F.)	1.15			No-load Current	12.2 A
NEMA Nom. Eff.	93.6	Power Factor	82	Line-line Res. @ 25°C	0.315 Ω
Rating - Duty	40C AMB-CONT			Temp. Rise @ Rated Load	28°C
S.F. Amps				Temp. Rise @ S.F. Load	35°C
				Locked-rotor Power Factor	33
				Rotor inertia	3.96 LB-FT ²

Load Characteristics 460 V, 60 Hz, 25 HP

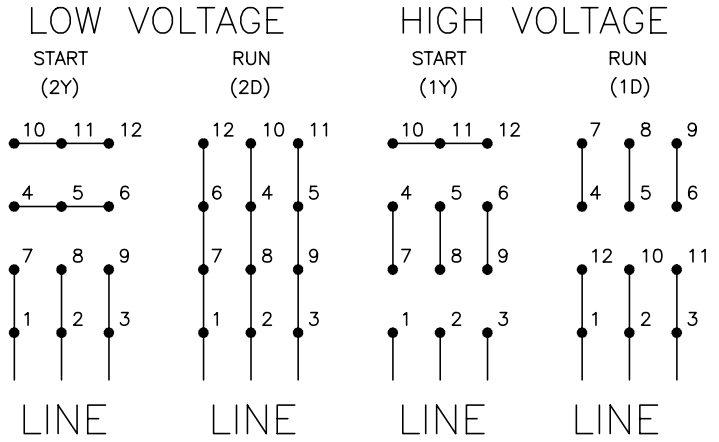
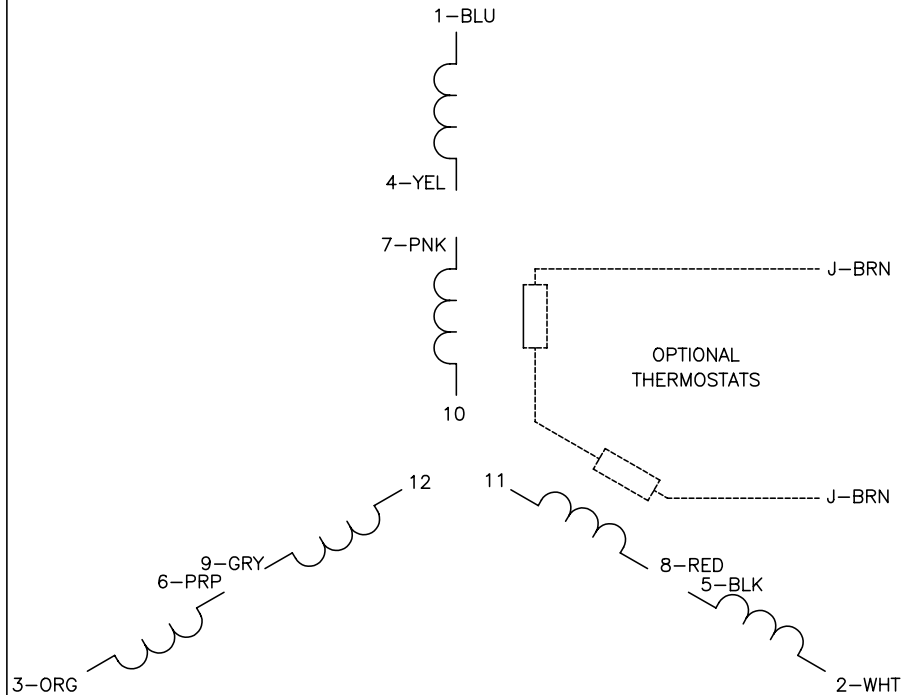
% of Rated Load	25	50	75	100	125	150	S.F.
Power Factor	47	70	79	83	84	84	84
Efficiency	89.7	93.5	94	93.9	93.4	92.4	93.6
Speed	1793	1787	1780	1773	1764	1755	1768
Line amperes	13.9	18.2	23.7	30.1	37.1	44.9	34.3

Performance Graph at 460V, 60Hz, 25.0HP Typical performance - Not guaranteed values





CD0104



- NOTES:
1. INTERCHANGE ANY TWO LINE LEADS TO REVERSE ROTATION.
 2. OPTIONAL THERMOSTATS ARE PROVIDED WHEN SPECIFIED.
 3. ACTUAL NUMBER OF INTERNAL PARALLEL CIRCUITS MAY BE A MULTIPLE OF THOSE SHOWN ABOVE.
 4. LEAD COLORS ARE OPTIONAL. LEADS MUST ALWAYS BE NUMBERED AS SHOWN.

REV. DESC: REVISE TO SHOW OPTIONAL COLORS			
REV. LTR: C	BY: JLP	REVISED: 01/19/99 4:24	TDR: 0171435
401000		FILE: AAA00008377	MDL: -
		MTL: -	

BALDOR ELECTRIC Co.

3PH, DV, 12 LEADS, Y START/D RUN

CD0104