

BALDOR® • ***RELIANCE***

Product Information Packet

EM2559T-4CI

125HP,1785RPM,3PH,60HZ,405T,ODP,FOOT,

Part Detail							
Revision:	G	Status:	PRD/A	Change #:		Proprietary:	No
Type:	AC	Prod. Type:	A40064M	Elec. Spec:	A40WG0248	CD Diagram:	416820-036
Enclosure:	DP	Mfg Plant:		Mech. Spec:		Layout:	611750-501
Frame:	405T	Mounting:	F1	Poles:	04	Created Date:	10-19-2010
Base:		Rotation:	R	Insulation:	B	Eff. Date:	12-19-2016
Leads:	3#4 (02 per group)					Replaced By:	
Literature:		Elec. Diagram:					

Nameplate NP2383L									
CAT.NO.	EM2559T-4CI			SPEC NO.	P40G298				
HP	125	AMPS	141	VOLTS	460	DESIGN	B		
FRAME	405T	RPM	1785	HZ	60	AMB	40	SF	1.15
DRIVE END BEARING	80BC03J30X		PHASE	3	DUTY	CONT		INSUL.CLASS	F
OPP D.E. BEARING	80BC03J30X		TYPE	P	ENCL	DP	CODE	G	
SER.NO.				POWER FACTOR	87	NEMA-NOM-EFFICIENCY	95.4		
NEMA NOM/CSA QUOTED EFF				MAX CORR KVAR	25.0	GUARANTEED EFFICIENCY	95.0		
				MOTOR WEIGHT	1118				

Parts List		
Part Number	Description	Quantity
SA209227	SA P40G298	1.000 EA
RA196489	RA P40G298	1.000 EA
000613006PU	N/P (RELEASE QTY 10,000) UL CSA LABEL	1.000 EA
000692000VD	LABEL WARNING	1.000 EA
NP2383L	SUPER-E ,SS, CC, CSA-C US, CSA EEV	1.000 EA
032018005AK	HHCS 1/4-20X5/8 PLATED	4.000 EA
032018020DK	HHCS 1/2-13X2-1/2 PLTD.	2.000 EA
032018026DK	HHCS 1/2-13X3-1/4L PLTD.	2.000 EA
032018030CK	HHCS 3/8-16X3-3/4 PLATED	3.000 EA
034000012AB	WSHR 1/4 STD. PLATED	4.000 EA
034017012AB	LCKW 1/4 STD. PLATED	4.000 EA
034600001AA	BUSH 1/4TO1/8 BLACK	1.000 EA
035000001G	GREASE RELIEF FITTING, ALEMITE 317400	1.000 EA
089407052A	BRKT 400 089407052WCB	1.000 EA
089407052A	BRKT 400 089407052WCB	1.000 EA
702609001A	BAFFL 400 SUB PAINT	1.000 EA
410700000DA	WAVY SPRING WASHER	1.000 EA
702609001A	BAFFL 400 SUB PAINT	1.000 EA
034600001AA	BUSH 1/4TO1/8 BLACK	1.000 EA
035000001G	GREASE RELIEF FITTING, ALEMITE 317400	1.000 EA
034000012AB	WSHR 1/4 STD. PLATED	4.000 EA
034017012AB	LCKW 1/4 STD. PLATED	4.000 EA
032018030CK	HHCS 3/8-16X3-3/4 PLATED	3.000 EA
032018026DK	HHCS 1/2-13X3-1/4L PLTD.	2.000 EA

Parts List (continued)		
Part Number	Description	Quantity
032018020DK	HHCS 1/2-13X2-1/2 PLTD.	2.000 EA
032018005AK	HHCS 1/4-20X5/8 PLATED	4.000 EA
004824015A	GREASE POLYREX EM	1.000 LB
PK5004A02	WOOD BASE 40X32 STACK 2X4 RUNNER	1.000 EA
065776000C	TERBD 320-400	1.000 EA
032018010CK	HHCS 3/8-16X1-1/4 PLTD.	4.000 EA
033512008LB	HHTTS 1/4-20X1 PLATED	4.000 EA
035000001A	ALFTG 1/8" 1610-BL	1.000 EA
035000001A	ALFTG 1/8" 1610-BL	1.000 EA
048897010DH	BUSH - 400	1.000 EA
067053000B	GASK 320-400	1.000 EA
076708000BB	C/B - 360	1.000 EA
076709000A	C/B - 360	1.000 EA
415000103H	TERMINAL LUG	1.000 EA
418150003A	GREASE FITTING CAP	1.000 EA
033775004EA	DRSCR #6-1/4 304 S.S.	2.000 EA
418150003A	GREASE FITTING CAP	1.000 EA
034180044JA	KEY 3/4X3/4X5-1/2 L	1.000 EA
421948051	LABEL, MYLAR	1.000 EA
MG1025N19	WILKO 778.50 BLUE GREEN - 55 GAL DRUMS	0.250 GA
004824003CBY	WILKO PAINT 060.02 - ACTIVATOR	0.063 GA
004824015A	GREASE POLYREX EM	0.560 LB
032018005DL	1/2-13 X 5/8 SILICON BRONZE HHCS	1.000 EA

REL. S.O.	FRAME	HP	TYPE	PHASE/HERTZ	RPM	VOLTS
	405T	125	P	3/60	1785	460
AMPS	DUTY	AMB °C/ INSUL.	S.F.	NEMA DESIGN	CODE LETTER	ENCL.
141	CONT	40/B	1.15	B	G	PROT
E/S	ROTOR	TEST S.O.	TEST DATE	STATOR RES. @25 °C (OHMS (BETWEEN LINES))		
496084	418142-31-ME	---	---	.0436		

PERFORMANCE						
LOAD	HP	AMPERES	RPM	POWER FACTOR %	EFFICIENCY %	
NO LOAD	0	43.2	1800	3.72	0	
1/4	31.3	54.8	1796	56.9	94.1	
2/4	62.5	78.8	1793	77.4	95.9	
3/4	93.7	108	1789	84.5	96.0	
4/4	125	141	1784	86.9	95.6	
5/4	156	176	1780	87.3	95.0	

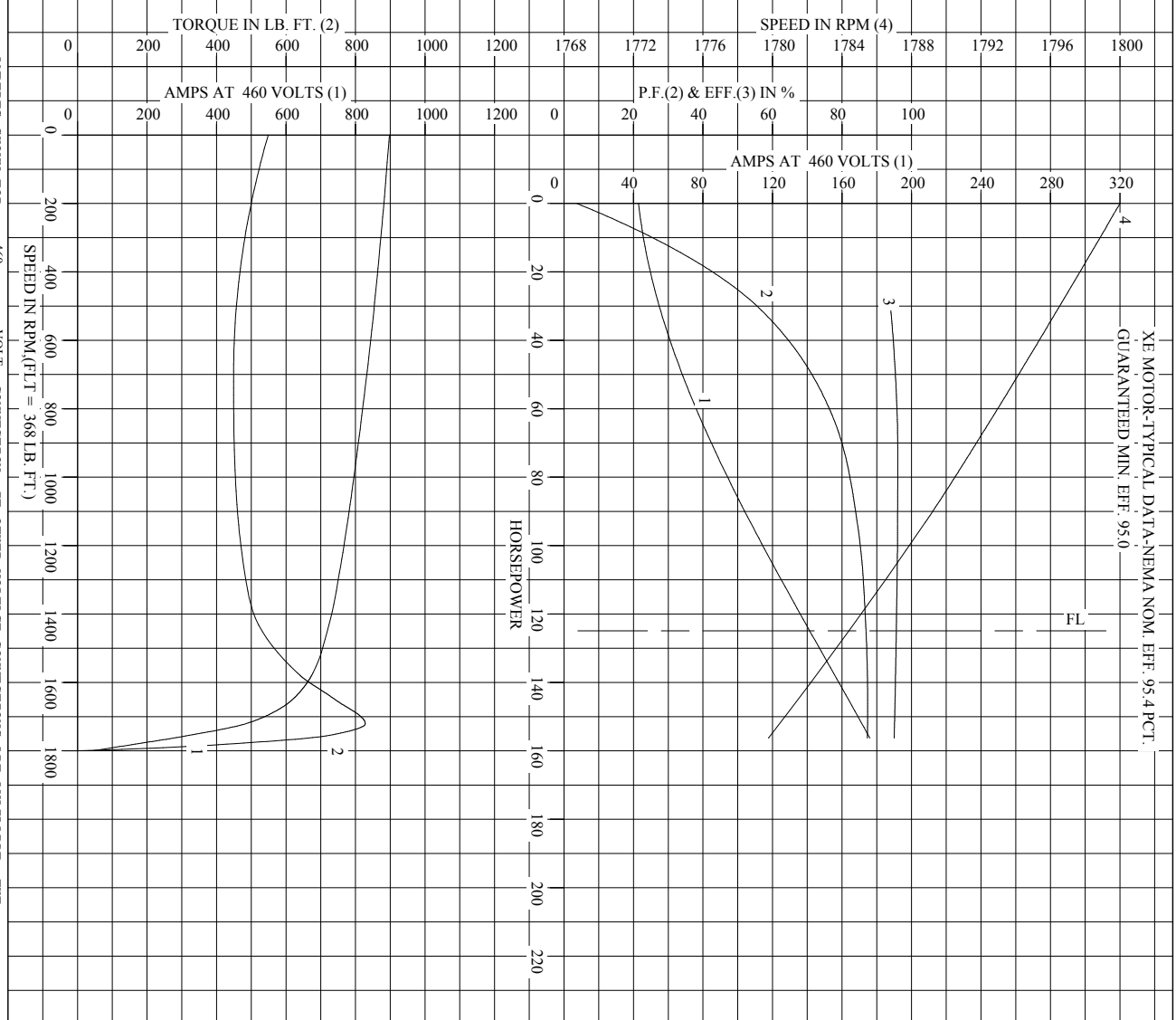
SPEED TORQUE						
	RPM	TORQUE % FULL LOAD	TORQUE LB.-FT.	AMPERES		
LOCKED ROTOR	0	149	549	897		
PULL UP	700	122	449	832		
BREAKDOWN	1721	225	828	484		
FULL LOAD	1784	100	368	141		

AMPERES SHOWN FOR 460. VOLT CONNECTION. IF OTHER VOLTAGE CONNECTIONS ARE AVAILABLE, THE AMPERES WILL VARY INVERSELY WITH THE RATED VOLTAGE

REMARKS: TYPICAL DATA
 XE MOTOR-TYPICAL DATA-NEMA NOM. EFF. 95.4 PCT.
 GUARANTEED MIN. EFF. 95.0

BALDOR	DR. BY P. B. GREENE	A-C MOTOR
	CK. BY K. W. KANOUFF	
	APP. BY K. W. KANOUFF	
DATE 09/15/89	PERFORMANCE DATA	ISSUE DATE 12/16/10

REL. S. O. _____ RPM 1785 S. F. 1.15 ROTOR 418142-31-ME
 FRAME 405T VOLTS 460 NEMA DESIGN B TEST S. O. TYPICAL DATA
 HP 125 AMPS 141 CODE LETTER G TEST DATE ---
 TYPE P DUTY CONT ENCLOSURE PROT STATOR RES. @ 25 °C .0436
 PHASE/HERTZ 3/60 AMB °C/INSUL 40/B E/S 496084 OHMS (BETWEEN LINES)



AMPERES SHOWN FOR 460 VOLT CONNECTION, IF OTHER VOLTAGE CONNECTIONS ARE AVAILABLE, THE AMPERES WILL VARY INVERSELY WITH THE RATED VOLTAGE.

BALDOR

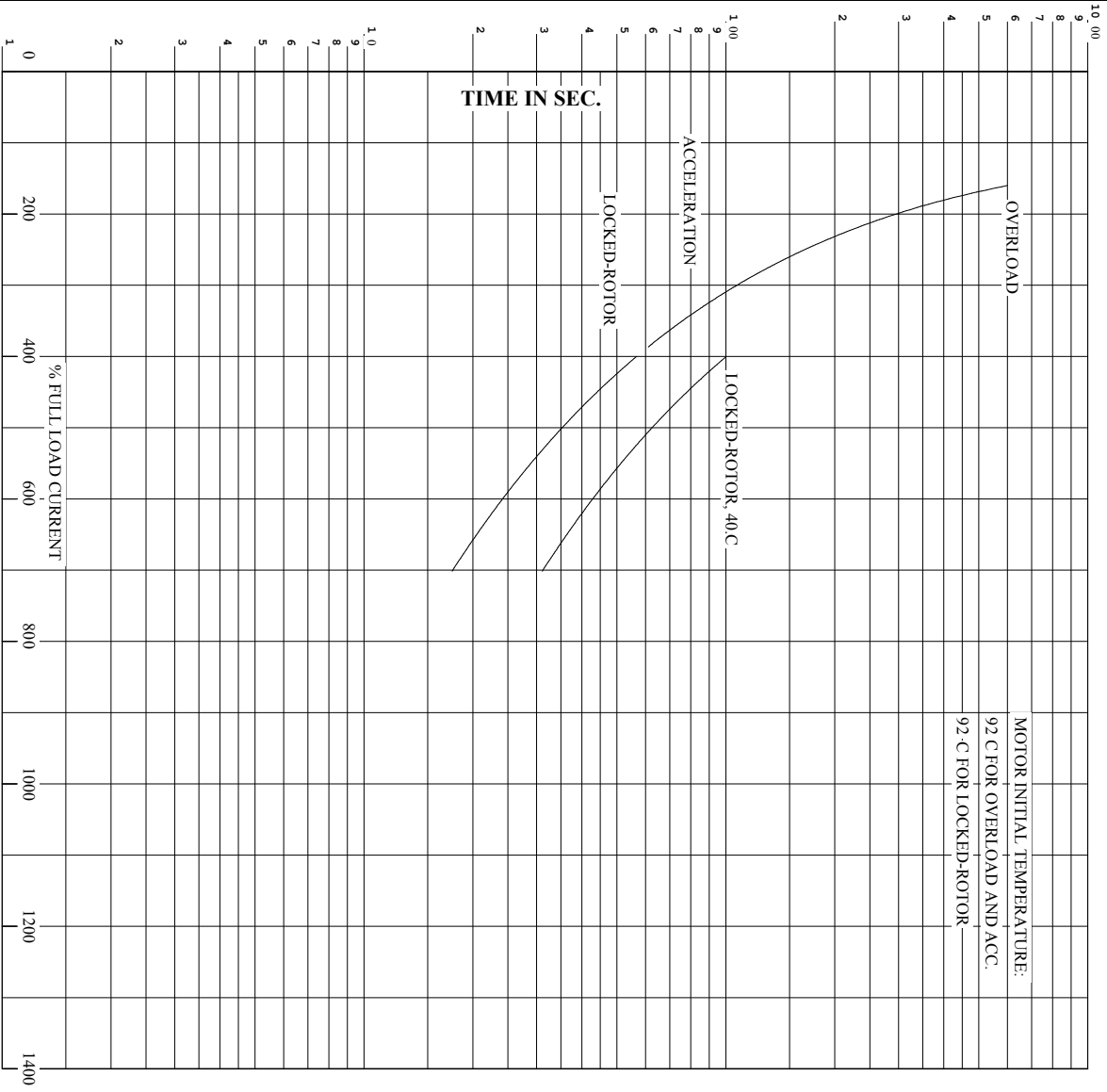
DR. BY P.B. GREENE
 CK. BY K.W. KANDUPE
 APP. BY K.W. KANDUPE
 DATE 09/15/89

A-C MOTOR
PERFORMANCE
CURVES

A40WG0248-R002
 ISSUE DATE 12/16/10

Printed on 12/16/10 9:11 @ pscs-motoreng

REL. S.O. RPM 1785 S.F. 1.15 ROTOR 418142-31-ME
 FRAME 405T VOLTS 460 NEMA DESIGN B TEST S.O. TYPICAL DATA
 HP 125 AMPS 141 CODE LETTER G TEST DATE ---
 TYPE P DUTY CONT PROT ENCLOSURE PROT STATOR RES. @ 25 °C. 0.436
 PHASE/HERTZ 3/60 AMB °/INSUL 40/B E/S 496084 OHMS (BETWEEN LINES)



REMARKS: THERMAL LIMIT CURVE
 XE MOTOR-TYPICAL DATA-NEMA NOM. EFF. 95.4 PCT.
 GUARANTEED MIN. EFF. 95.0

AMPERES SHOWN FOR 460 VOLT CONNECTION, IF OTHER VOLTAGE CONNECTIONS ARE AVAILABLE, THE AMPERES WILL VARY INVERSELY WITH THE RATED VOLTAGE.

BALDOR
 DR. BY P.B. GREENE
 CK. BY K.W. KANOLIFE
 App. BY K.W. KANOLIFE
 DATE 09/15/89

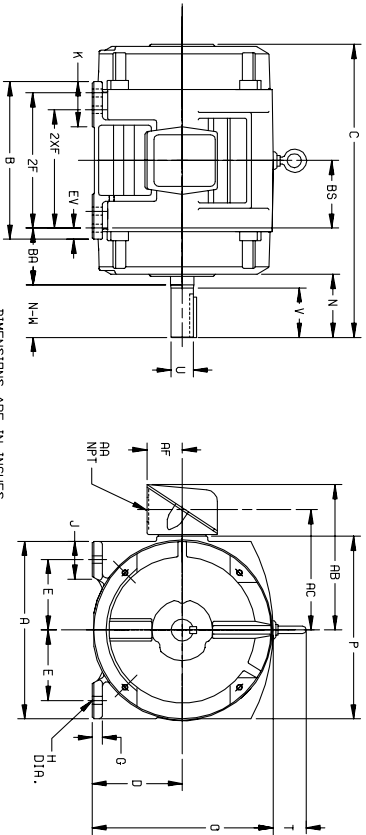
A-C MOTOR
PERFORMANCE A40WG0248-R002
CURVES ISSUE DATE 12/16/10

611750-501

DUTY MASTER ALTERNATING CURRENT MOTORS

SQUIREL-CAGE INDUCTION
CAST IRON CONSTRUCTION

ENCLOSURE: PROTECTED
MOUNTING: FOOT
FRAMES 250T THRU 440T
COOLING: SELF-VENTILATED



DIMENSIONS ARE IN INCHES

FRAME	A	DIG2	E	G	H	J	K	D	P	T	CAST IRON TERMINAL BOX					EV
254T-256T	12.50	6.25	5.00	6.9	5.6	2.25	3.50	12.61	12.69	2.44	1-1/4	10.25	8.25	2.50	4.25	6.2
284T-286T	14.00	7.00	5.50	7.5	5.6	2.75	3.75	14.12	14.31	2.44	1-1/2	12.06	9.62	3.19	4.75	1.00
324T-326T	15.75	8.00	6.25	8.8	6.9	3.12	4.00	16.10	16.42	2.44	2	14.75	11.00	3.62	5.25	1.00
364T-365T	17.00	9.00	7.00	9.8	6.9	3.00	3.62	18.30	19.56	2.94	3	18.00	13.81	4.12	5.88	1.00
404T-405T	19.00	10.00	8.00	11.2	8.1	3.25	4.75	20.56	21.81	2.94	3	19.00	14.81	3.12	6.62	1.12
444T-445T	21.00	11.00	9.00	12.8	8.1	3.25	5.25	22.91	23.62	3.25	3	21.44	16.69	5.00	7.50	1.25

FRAME	C	BS	B	2F	2XF	N	N-W/6	U(3)	V	S.O.	LGTH.	WEIGHT
SIZE	22.44	5.00	11.25	---	8.25	4.25	4.00	1.625	3.75	3.75	2.75	265
254T	22.44	5.00	11.25	---	8.25	4.25	4.00	1.625	3.75	3.75	2.75	275
256T	22.44	5.00	11.25	---	8.25	4.25	4.00	1.625	3.75	3.75	2.75	275
284T	24.94	5.50	13.00	---	9.50	4.88	4.62	1.875	4.38	5.00	3.25	340
284T	23.96	5.50	13.00	---	9.50	3.50	3.25	1.625	3.00	3.75	1.88	340
286T	24.94	5.50	13.00	---	9.50	4.88	4.62	1.875	4.38	5.00	3.25	370
286T	23.96	5.50	13.00	---	9.50	3.25	1.625	3.00	3.75	1.88	370	480
324T	27.96	6.00	14.00	---	10.50	5.50	5.25	2.185	5.00	5.00	2.00	480
324T	26.96	6.00	14.00	---	10.50	4.00	3.75	1.875	3.50	5.00	2.00	520
326T	27.96	6.00	14.00	---	10.50	5.25	2.185	5.00	5.00	5.00	3.75	520
326T	26.96	6.00	14.00	---	10.50	4.00	3.75	1.875	3.50	5.00	2.00	520
364T	29.70	6.12	14.25	---	11.25	6.12	5.88	2.375	5.62	6.25	4.25	735
364T	27.98	6.12	14.25	---	11.25	4.00	3.75	1.875	3.50	5.00	2.00	730
365T	29.70	6.12	14.25	---	11.25	6.12	5.88	2.375	5.62	6.25	4.25	775
365T	27.98	6.12	14.25	---	11.25	4.00	3.75	1.875	3.50	5.00	2.00	770
404T	34.00	6.88	16.00	---	12.25	7.62	7.25	2.875	7.00	7.50	5.00	1045
404T	31.00	6.88	16.00	---	12.25	4.00	3.25	2.875	7.00	7.50	5.00	1045
405T	34.00	6.88	16.00	---	12.25	7.62	7.25	2.875	7.00	7.50	5.00	1085
405T	31.00	6.88	16.00	---	12.25	4.00	3.25	2.875	7.00	7.50	5.00	1085
444T	39.56	8.25	19.00	---	14.50	8.94	8.50	3.375	8.25	8.75	6.88	1795
444T	35.81	8.25	19.00	---	14.50	5.19	4.75	2.375	4.50	6.25	3.00	1790
445T	39.56	8.25	19.00	---	14.50	8.94	8.50	3.375	8.25	8.75	6.88	1770
445T	35.81	8.25	19.00	---	14.50	5.19	4.75	2.375	4.50	6.25	3.00	1770

- (1) SPECIAL DIMENSIONS APPLYING TO THIS ORDER ON THIS LINE.
- (2) 'P' VARIES [250T - 320T +.00, -.03
360T - 440T +.00, -.06.
- (3) 'U' VARIES +.000, -.001
- (4) ALL FRAMES HAVE EIGHT MOUNTING HOLES FOR DUAL MOUNTING.
- (5) MOTOR WEIGHTS MAY VARY BY 15% DEPENDING UPON RATING.
- (6) 'N-W' VARIES +.00, -.25.

CONDUIT BOX LOCATED ON OPPOSITE SIDE WHEN F-2W-1, V-4-W-5-W-7, DR C-1 MOUNTING IS SPECIFIED.
IF MOUNTING CLEARANCE DETAILS ARE REQUIRED, CONSULT FACTORY.
MAXIMUM PERMISSIBLE SHAFT RUNOUT WHEN MEASURED AT END OF SHD. SHAFT EXTENSION IS .002 I.P.R UP TO AND INCLUDING 1625 DIA. AND .003 I.P.R. ABOVE 1625 TO 3 INCH DIA.

FRAME- _____ TYPE- _____ CERTIFIED FOR- _____
 ORDER- _____ ITEM- _____ HP- _____ RPM- _____ PH- _____ HZ _____ VOLTS _____
 SALES ORDER- _____ APPROVED BY- _____ DATE _____
 105-057119

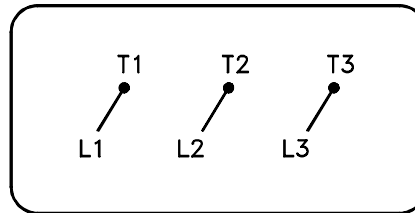
CUSTOMER IS RESPONSIBLE FOR DETERMINING THAT BALDOR'S PRODUCT WILL PERFORM SUITABLY IN THE INTENDED APPLICATION.

REV. DESC: LOADED TO BUS	VERSION: 01	TDR: 000000546464
REV. LTR: A	REVISED: 03:18:49 06/22/2010	BY: RAGHZT
FILE: \\RAG\00009\279		
MTL: -		

BALDOR
 DIM SHT-250T-440T
 SH 1 of 1

416820-036

A-C MOTOR
 CONNECTION DIAGRAM
 STANDARD 3 LEAD CONNECTED



(N.P. 1575-BA)

416820-036

REV. DESC: LOADED TO BUS, C/R 335225		
REV. LTR: -	VERSION: 00	TDR: 000000538207
FILE: \MGA\00000\682	REVISED: 11:54:06 04/30/2010	
MTL: -	BY: RAGRA	

BALDOR

CONN DIAG - STANDARD 3 LEAD

SH 1 of 1

Marketing maintained PDF of MN408:

<http://www.baldor.com/support/Literature/Load.ashx/MN408?ManNumber=MN408>

Marketing maintained PDF of MN416:

<http://www.baldor.com/support/Literature/Load.ashx/MN416?ManNumber=MN416>