

# **BALDOR**® • ***RELIANCE***

## **Product Information Packet**

# **EM4115T-58**

**50HP,1475RPM,3PH,50HZ,326T,1272M,TEFC,F1**

Part Detail							
Revision:	B	Status:	PRD/A	Change #:		Proprietary:	No
Type:	AC	Prod. Type:	1272M	Elec. Spec:	12WGY898	CD Diagram:	CD0382
Enclosure:	TEFC	Mfg Plant:		Mech. Spec:	12C51	Layout:	12LYC051
Frame:	326T	Mounting:	F1	Poles:	04	Created Date:	04-03-2015
Base:	RG	Rotation:	R	Insulation:	F	Eff. Date:	11-24-2015
Leads:	6#6					Replaced By:	
Literature:		Elec. Diagram:					

Nameplate NP3444L	
CAT NO	EM4115T-58
SPEC.	12C051Y898G1
HP	50 PH 3
VOLTS	400
AMP	64
RPM	1475
FRAME	326T HZ 50 I.P. 54
SER.F.	1.15 CODE G DES B CL F
NOM.EFF.	93.9
PF	90 USABLE AT 208V
RATING	40C AMB-CONT CC
DE BRG	6312 ODE 6311
ENCL	TEFC SN
VPWM INVERTER READY	
CT6-60H(10:1)VT3-60H(20:1)	
BLANK	IE3-94.4(75%)94.0(50%)

Parts List		
Part Number	Description	Quantity
SA296420	SA 12C051Y898G1	1.000 EA
RA282460	RA 12C051Y898G1	1.000 EA
09FN3001B03SP	EXTERNAL FAN, PLASTIC	1.000 EA
10CB3001	CONDUIT BOX CAST W/2.500 LEAD HOLE	1.000 EA
12GS1000SP	GASKET	1.000 EA
10XN3118K12	5/16-18 X .75 GRADE 5, ZINC PLATED	4.000 EA
HW1001A31	LOCKWASHER 5/16, ZINC PLT.591 OD, .319 I	4.000 EA
WD1000B16	T&B CX70TN TERMINAL	1.000 EA
51XF2520A08	SCREW, HEX SER SLT HD, ZN 1/4-20 X .50 L	1.000 EA
HA3400A13	STUD, 1/2-13 X 7" WELKER	4.000 EA
HW1001A50	LOCKWASHER 1/2, ZINC PLT.,.879 OD, .509 I	4.000 EA
HW5100A13	W4627-047 WVY WSHER	1.000 EA
10XN3118K36	5/16-18 X 2.25" HEX HD, GRADE 5	2.000 EA
HW1001A31	LOCKWASHER 5/16, ZINC PLT.591 OD, .319 I	2.000 EA
12EP1106A01	PU ENDPLATE, MACH 324-6T	1.000 EA
HW4600B41	V-RING SLINGER 2.125 X 2.880 X 0.280	1.000 EA
10XN5013K28	1/2-13 X 1.75 HEX HEAD MACH SCREW,GRAD	4.000 EA
HW1001A50	LOCKWASHER 1/2, ZINC PLT.,.879 OD, .509 I	4.000 EA
10XN3118K40	5/16-18 X 2.50" HEX HD, GRADE 5	4.000 EA
HW1001A31	LOCKWASHER 5/16, ZINC PLT.591 OD, .319 I	4.000 EA
12FH1002SP	FAN COVER, CAST QF,WAUPACA QUALITY	1.000 EA
HW1001A50	LOCKWASHER 1/2, ZINC PLT.,.879 OD, .509 I	4.000 EA
XY5013A12	NUT,1/2-13,HEX,STEEL,ZINCPLATED	4.000 EA
10CB3500SP	CONDUIT BOX LID, CAST	1.000 EA

<b>Parts List (continued)</b>		
<b>Part Number</b>	<b>Description</b>	<b>Quantity</b>
10GS1000SP	GASKET, CONDUIT BOX LID	1.000 EA
51XW2520A12	.25-20 X .75, TAPTITE II, HEX WSHR SLTD	4.000 EA
HW2501H33	KEY, 1/2 SQ X 3.875	1.000 EA
LB1115N	LABEL,LIFTING DEVICE (ON ROLLS)	1.000 EA
12EP1107A05	FR ENDPLATE, MACH 324-6T	1.000 EA
HW4500A21	1618BALEMITE FITTING 825 UNIVERSAL	1.000 EA
HA4017A01	1/8 X 4 GREASE EXT (F/S)	1.000 EA
HW4500A17	317400 ALEMITE GREASE RELIEF	1.000 EA
HA4054	SHORT T-DRAIN FITTING, .125" N.P.T.	1.000 EA
HA4051A00	PLASTIC CAP FOR GREASE FITTING	1.000 EA
MJ1000A02	GREASE, POLYREX EM EXXON (USe 4824-15A)	0.200 LB
HW4500A03	GREASE FITTING, .125 NPT 1610(ALEMITE) 8	1.000 EA
HW4500A17	317400 ALEMITE GREASE RELIEF	1.000 EA
HA4054	SHORT T-DRAIN FITTING, .125" N.P.T.	1.000 EA
HA4051A00	PLASTIC CAP FOR GREASE FITTING	1.000 EA
HW2500A25	WOODRUFF KEY USA #1008 #BLOW CARBON STEE	1.000 EA
51XB1214A20	12-14X1.25 HXWSSLD SERTYB	1.000 EA
MG1000Y03	MUNSELL 2.53Y 6.70/ 4.60, GLOSS 20,	0.080 GA
85XU0407S04	4X1/4 U DRIVE PIN STAINLESS	2.000 EA
LB1119N	WARNING LABEL	1.000 EA
LC0382	CONNECTION LABEL	1.000 EA
NP3444L	ALUM SUPER-E VPWM INV READY NEMA IE3 UL	1.000 EA
12PA1000	PACKAGING GROUP PRINT PK1024A06	1.000 EA
MN416A01	TAG-INSTAL-MAINT no wire (1000/bx) 11/14	1.000 EA

**AC Induction Motor Performance Data**

Record # 49471 - Typical performance - not guaranteed values

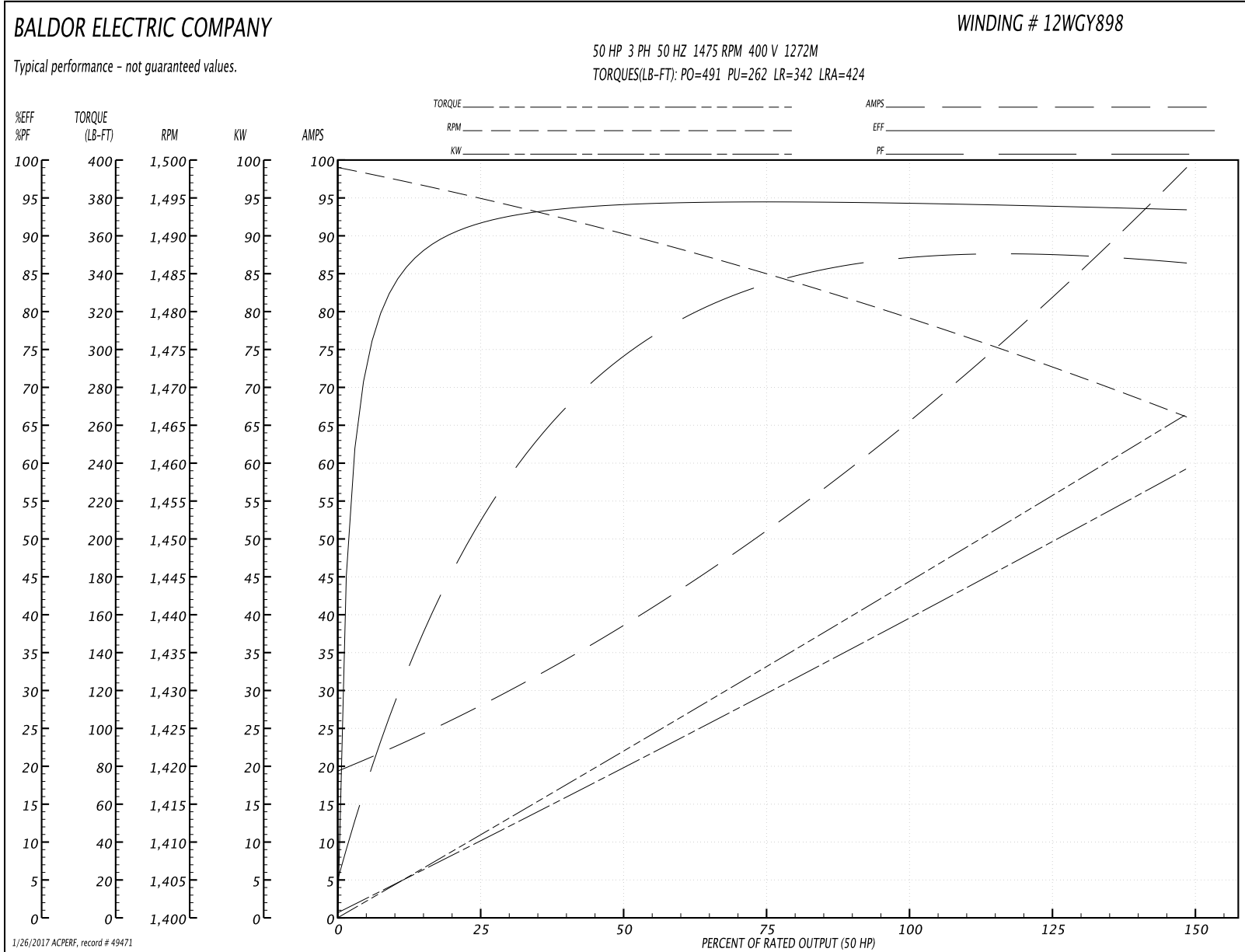
<b>Winding:</b> 12WGY898-R001	<b>Type:</b> 1272M	<b>Enclosure:</b> TEFC
-------------------------------	--------------------	------------------------

Nameplate Data				400 V, 50 Hz: Single Voltage Motor	
Rated Output (HP)	50			Full Load Torque	178 LB-FT
Volts	400			Start Configuration	direct on line
Full Load Amps	64			Breakdown Torque	491 LB-FT
R.P.M.	1475			Pull-up Torque	262 LB-FT
Hz	50	Phase	3	Locked-rotor Torque	342 LB-FT
NEMA Design Code	B	KVA Code	G	Starting Current	424 A
Service Factor (S.F.)	1.15			No-load Current	18.8 A
NEMA Nom. Eff.	93.9	Power Factor	90	Line-line Res. @ 25°C	0.106 Ω
Rating - Duty	40C AMB-CONT			Temp. Rise @ Rated Load	72°C
S.F. Amps				Temp. Rise @ S.F. Load	88°C
				Locked-rotor Power Factor	29.4
				Rotor inertia	9.59 LB-FT <sup>2</sup>

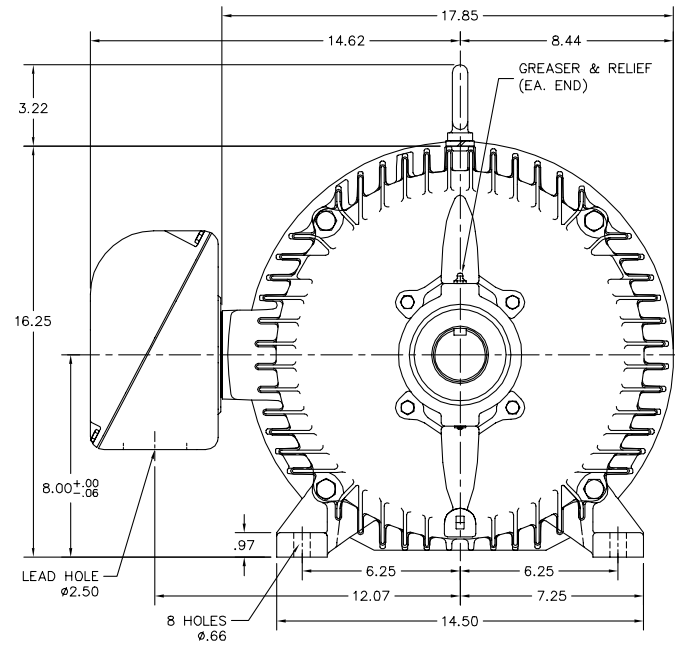
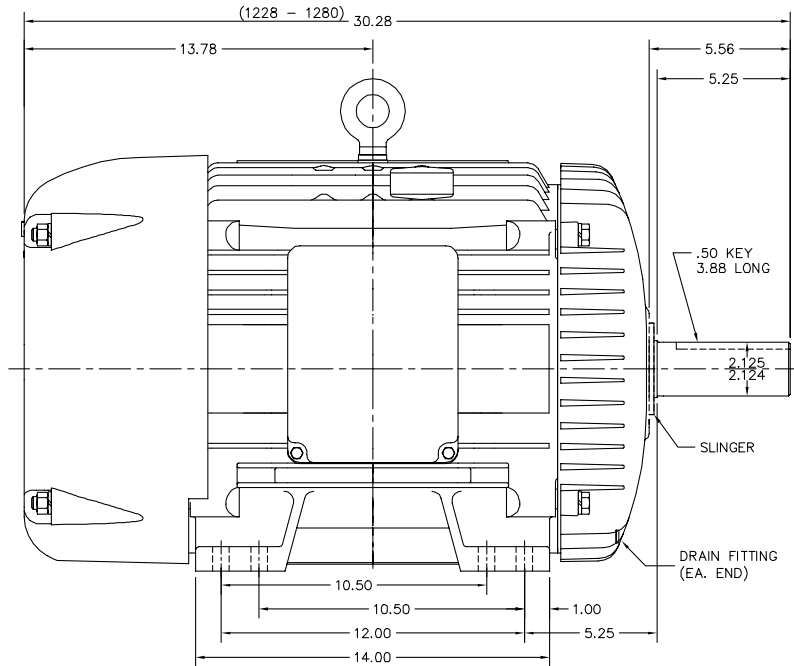
**Load Characteristics 400 V, 50 Hz, 50 HP**

% of Rated Load	25	50	75	100	125	150	S.F.
Power Factor	52	74	83	90	87	86	88
Efficiency	90.9	94	94.4	94.6	94.1	93.3	94.3
Speed	1495	1490	1485	1479	1473	1466	1475
Line amperes	28.7	39.3	51.9	63.7	82.1	99.3	74.7

Performance Graph at 400V, 50Hz, 50.0HP Typical performance - Not guaranteed values



12LYC051



12LYC051

CUSTOMER IS RESPONSIBLE FOR DETERMINING THAT BALDOR'S PRODUCT WILL PERFORM SUITABLY IN THE INTENDED APPLICATION.

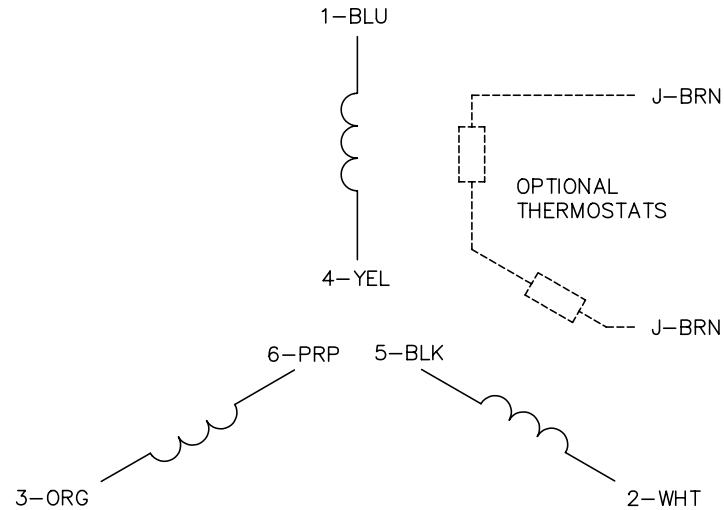
REV. DESC: ADDED FOOT THICKNESS DIM.		
REV. LTR: Y	VERSION: 08	TDR: 000000957396
FILE: \AAA\00001\609	REVISED: 11:12:13 12/17/2015	BY: ENNINDO
MTL: -		

**BALDOR**

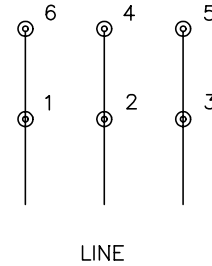
HORZ TEFC 324-6T

SH 1 of 1

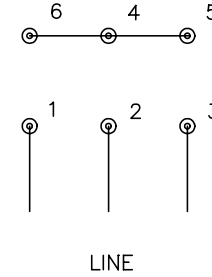
CD0382



RUN CONNECTION (1D)



START CONNECTION (1Y)



NOTES:

1. INTERCHANGE ANY TWO LINE LEADS TO REVERSE ROTATION.
2. OPTIONAL THERMOSTATS ARE PROVIDED WHEN SPECIFIED.
3. ACTUAL NUMBER OF INTERNAL PARALLEL CIRCUITS MAY BE A MULTIPLE OF THOSE SHOWN ABOVE.
4. LEAD COLORS ARE OPTIONAL. LEADS MUST ALWAYS BE NUMBERED AS SHOWN.
5. FOR ACROSS-THE-LINE STARTING, USE 'RUN' CONNECTION.

REV. DESC: ADD NOTE 5 FOR DOL STARTING			
REV. LTR: E	BY: JLP	REVISED: 11/30/00 2:26	TDR: 0226155
CD0382		FILE: AAA00005243	REF: -
		MTL: -	

**BALDOR ELECTRIC Co.**

3PH, SV, 6 LEADS, Y START/D RUN

CD0382